



Air Conditioning & Heating

GSX16

HIGH-EFFICIENCY

SPLIT SYSTEM AIR CONDITIONER

1½ To 5 TONS

UP TO 16 SEER



Contents

Nomenclature	2
Product Specifications	3
Expanded Cooling Data	4
AHRI Ratings.....	20
Dimensions	61
Wiring Diagrams	62
Accessories	64

Standard Features

- R-410A chlorine-free refrigerant
- Energy-efficient compressor
- Factory-installed filter drier
- Fully charged for 15' of tubing length
- Copper tube/aluminum fin coil
- Service valves with sweat connections and easy-to-access gauge ports
- Contactor with lug connection
- Ground lug connection
- AHRI Certified; ETL Listed

Cabinet Features

- Goodman® brand louvered sound control top design
- Wire fan discharge grille
- Steel louver coil guard
- Heavy-gauge galvanized-steel cabinet
- Attractive Architectural Gray powder-paint finish with 500-hour salt-spray approval
- Top and side maintenance access
- Single-panel access to controls with space provided for field-installed accessories
- When properly anchored, meets the 2010 Florida Building Code unit integrity requirements for hurricane-type winds (Anchor bracket kits available.)



* Complete warranty details available from your local dealer or at www.goodmanmfg.com. To receive the 10-Year Compressor Limited Warranty and 10-Year Parts Limited Warranty, online registration must be completed within 60 days of installation. Online registration is not required in California or Quebec.

NOMENCLATURE

	G	S	X	16	036	1	*	*		
	1	2	3	4,5	6,7,8	9	10	11		
Brand	G Goodman® Brand or Amana® Distinctions® Brand						Engineering *			
							Minor Revision			
							* Neither used for order entry or inventory management.			
Product Category	S Split System					Engineering *				
						Major Revision				
Unit Type	X Condenser R-410A Z Heat Pump R-410A						Electrical			
							1	208-230 V, 1 Phase, 60 Hz		
							2	220/240 V, 1 Phase, 50 Hz		
							3	208-230 V, 3 Phase, 60 Hz		
Efficiency	13 13 SEER 14 14 SEER 16 16 SEER						Nominal Capacity			
							018	1½ Tons	042	3½ Tons
							024	2 Tons	048	4 Tons
							030	2½ Tons	060	5 Tons
							036	3 Tons	061	5 Tons



SPECIFICATIONS

	GSX16 0181F*	GSX16 0241F*	GSX16 0301F*	GSX16 0361F*	GSX16 0421F*	GSX16 0481F*	GSX16 0601F*	GSX16 0611F*
CAPACITIES								
Nominal Cooling (BTU/h)	18,000	23,600	29,000	34,800	42,000	45,500	54,000	57,000
SEER	16	16	16	16	16	16	16	16
Decibels	71.5	71.5	71.5	71.5	73	73	73	73
COMPRESSOR								
RLA	9.0	13.5	12.8	14.1	17.9	17.9	21.4	25
LRA	46	58.3	64	77	112	112	135	134
CONDENSER FAN MOTOR								
Horsepower	1/6	1/6	1/6	1/6	1/6	1/4	1/3	1/4
FLA	1.10	1.10	1.10	1.10	1.10	1.50	2.80	1.50
REFRIGERATION SYSTEM								
Refrigerant Line Size ¹								
Liquid Line Size ("O.D.)	3/8"	3/8"	3/8"	3/8"	3/8"	3/8"	3/8"	3/8"
Suction Line Size ("O.D.)	3/4"	3/4"	7/8"	7/8"	7/8"	7/8"	7/8"	7/8"
Refrigerant Connection Size								
Liquid Valve Size ("O.D.)	3/8"	3/8"	3/8"	3/8"	3/8"	3/8"	3/8"	3/8"
Suction Valve Size ("O.D.)	3/4"	3/4"	7/8"	7/8"	7/8"	7/8"	7/8"	7/8"
Valve Type	Sweat	Sweat	Sweat	Sweat	Sweat	Sweat	Sweat	Sweat
Refrigerant Charge	78	78	91	94	110	121	240	125
ELECTRICAL DATA								
Voltage-Phase (60 Hz)	208/230-1	208/230-1	208/230-1	208/230-1	208/230-1	208/230-1	208/230-1	208/230-1
Minimum Circuit Ampacity ²	12.4	18.0	17.1	18.7	23.5	23.9	29.6	32.8
Max. Overcurrent Protection ³	20	30	25	30	40	40	50	50
Min / Max Volts	197/253	197/253	197/253	197/253	197/253	197/253	197/253	197/253
Electrical Conduit Size	1/2" or 3/4"	1/2" or 3/4"	1/2" or 3/4"	1/2" or 3/4"	1/2" or 3/4"	1/2" or 3/4"	1/2" or 3/4"	1/2" or 3/4"
EQUIPMENT WEIGHT (LBS)	145	142	149	162	206	219	279	291
SHIP WEIGHT (LBS)	163	160	167	180	228	241	301	314

¹ Tested and rated in accordance with ARI Standard 210/240

² Wire size should be determined in accordance with National Electrical Codes; extensive wire runs will require larger wire sizes

³ Must use time-delay fuses or HACR-type circuit breakers of the same size as noted.

NOTES

- Always check the S&R plate for electrical data on the unit being installed.
- Installer will need to supply 7/8" to 1 1/2" adapters for suction line connections.
- Unit is charged with refrigerant for 15' of 3/8" liquid line. System charge must be adjusted per Installation Instructions Final Charge Procedure.
- Installation of these units requires the specified TXV Kit to be installed on the indoor coil. THE SPECIFIED TXV IS DETERMINED BY THE OUTDOOR UNIT NOT THE INDOOR COIL.

GSX160181F* / CA*F3636*6D*+TXV

IDB	AIRFLOW	OUTDOOR AMBIENT TEMPERATURE												ENTERING INDOOR WET BULB TEMPERATURE											
		65°F				75°F				85°F				95°F				105°F				115°F			
		59	63	67	71	59	63	67	71	59	63	67	71	59	63	67	71	59	63	67	71	59	63	67	71
70	MBh	15.8	16.4	17.9	-	15.4	16.0	17.5	-	15.1	15.6	17.1	-	14.7	15.2	16.7	-	14.0	14.5	15.9	-	12.9	13.4	14.7	-
	S/T	0.68	0.57	0.40	-	0.71	0.59	0.41	-	0.73	0.61	0.42	-	0.75	0.63	0.43	-	0.78	0.65	0.45	-	0.78	0.66	0.45	-
	ΔT	19	16	12	-	19	17	13	-	19	17	13	-	19	17	13	-	19	16	13	-	18	15	12	-
	kW	1.18	1.20	1.23	-	1.26	1.28	1.31	-	1.32	1.35	1.38	-	1.38	1.41	1.45	-	1.43	1.46	1.50	-	1.47	1.50	1.54	-
	Amps	4.3	4.3	4.5	-	4.6	4.7	4.8	-	4.9	5.0	5.2	-	5.2	5.4	5.5	-	5.6	5.7	5.9	-	5.9	6.0	6.2	-
	Hi PR	199	214	226	-	223	240	254	-	254	273	289	-	289	311	329	-	326	350	370	-	360	387	409	-
Lo PR	101	108	118	-	107	114	125	-	111	119	129	-	117	125	136	-	123	130	142	-	127	135	147	-	
70	MBh	17.1	17.7	19.4	-	16.7	17.3	19.0	-	16.3	16.9	18.5	-	15.9	16.5	18.1	-	15.1	15.7	17.2	-	14.0	14.5	15.9	-
	S/T	0.71	0.59	0.41	-	0.73	0.61	0.43	-	0.75	0.63	0.44	-	0.78	0.65	0.45	-	0.81	0.67	0.47	-	0.81	0.68	0.47	-
	ΔT	17	15	11	-	17	15	11	-	17	15	11	-	18	15	12	-	17	15	11	-	16	14	11	-
	kW	1.21	1.23	1.26	-	1.28	1.31	1.34	-	1.35	1.38	1.41	-	1.41	1.44	1.48	-	1.46	1.49	1.53	-	1.51	1.54	1.58	-
	Amps	4.4	4.5	4.6	-	4.7	4.8	4.9	-	5.1	5.2	5.3	-	5.4	5.5	5.7	-	5.7	5.8	6.0	-	6.0	6.2	6.4	-
	Hi PR	205	221	233	-	230	248	262	-	262	282	298	-	298	321	339	-	336	361	381	-	371	399	421	-
Lo PR	105	111	122	-	111	118	128	-	115	122	133	-	121	128	140	-	126	135	147	-	131	139	152	-	
70	MBh	17.1	17.7	19.4	-	16.7	17.3	19.0	-	16.3	16.9	18.5	-	15.9	16.5	18.1	-	15.1	15.7	17.2	-	14.0	14.5	15.9	-
	S/T	0.71	0.59	0.41	-	0.73	0.61	0.43	-	0.75	0.63	0.44	-	0.78	0.65	0.45	-	0.81	0.67	0.47	-	0.81	0.68	0.47	-
	ΔT	17	14	11	-	17	14	11	-	17	15	11	-	17	15	11	-	17	14	11	-	16	13	10	-
	kW	1.21	1.23	1.26	-	1.28	1.31	1.34	-	1.35	1.38	1.41	-	1.41	1.44	1.48	-	1.46	1.49	1.53	-	1.51	1.54	1.58	-
	Amps	4.4	4.5	4.6	-	4.7	4.8	4.9	-	5.1	5.2	5.3	-	5.4	5.5	5.7	-	5.7	5.8	6.0	-	6.0	6.2	6.4	-
	Hi PR	205	221	233	-	230	248	262	-	262	282	298	-	298	321	339	-	336	361	381	-	371	399	421	-
Lo PR	105	111	122	-	111	118	128	-	115	122	133	-	121	128	140	-	126	135	147	-	131	139	152	-	

75	MBh	16.1	16.5	17.9	19.2	15.7	16.2	17.5	18.8	15.3	15.8	17.1	18.3	15.0	15.4	16.7	17.9	14.2	14.6	15.8	17.0	13.2	13.5	14.7	15.7
	S/T	0.78	0.69	0.53	0.34	0.81	0.72	0.55	0.35	0.83	0.74	0.56	0.36	0.85	0.76	0.58	0.37	0.88	0.79	0.60	0.39	0.89	0.80	0.60	0.39
	ΔT	22	20	16	11	22	20	17	12	22	20	17	12	22	21	17	12	22	20	17	11	21	19	16	11
	kW	1.19	1.21	1.24	1.28	1.27	1.29	1.32	1.36	1.33	1.36	1.39	1.43	1.39	1.42	1.46	1.50	1.44	1.47	1.51	1.55	1.48	1.51	1.56	1.60
	Amps	4.3	4.4	4.5	4.7	4.6	4.7	4.9	5.0	5.0	5.1	5.2	5.4	5.3	5.4	5.6	5.8	5.6	5.7	5.9	6.1	5.9	6.1	6.3	6.5
	Hi PR	201	216	229	238	226	243	257	268	257	276	292	304	292	315	332	347	329	354	374	390	363	391	413	431
Lo PR	103	109	119	127	108	115	126	134	113	120	131	139	118	126	137	146	124	132	144	153	128	136	149	159	
75	MBh	17.4	17.9	19.4	20.8	17.0	17.5	19.0	20.3	16.6	17.1	18.5	19.9	16.2	16.7	18.1	19.4	15.4	15.8	17.2	18.4	14.3	14.7	15.9	17.1
	S/T	0.81	0.72	0.55	0.35	0.84	0.75	0.57	0.36	0.86	0.77	0.58	0.37	0.88	0.79	0.60	0.38	0.92	0.82	0.62	0.40	0.93	0.83	0.63	0.40
	ΔT	20	18	15	10	20	19	15	10	20	19	15	10	20	19	15	10	20	18	15	10	19	17	14	10
	kW	1.21	1.24	1.27	1.30	1.29	1.32	1.35	1.39	1.36	1.39	1.42	1.46	1.42	1.45	1.49	1.53	1.47	1.50	1.54	1.59	1.52	1.55	1.59	1.64
	Amps	4.4	4.5	4.6	4.8	4.7	4.8	5.0	5.2	5.1	5.2	5.4	5.6	5.4	5.6	5.7	5.9	5.8	5.9	6.1	6.3	6.1	6.2	6.4	6.7
	Hi PR	207	223	236	246	233	250	264	276	265	285	301	314	301	324	343	357	339	365	385	402	375	403	426	444
Lo PR	106	112	123	131	112	119	130	138	116	123	135	144	122	130	142	151	128	136	148	158	132	141	153	163	
75	MBh	17.4	17.9	19.4	20.8	17.0	17.5	19.0	20.3	16.6	17.1	18.5	19.9	16.2	16.7	18.1	19.4	15.4	15.8	17.2	18.4	14.3	14.7	15.9	17.1
	S/T	0.81	0.72	0.55	0.35	0.84	0.75	0.57	0.36	0.86	0.77	0.58	0.37	0.88	0.79	0.60	0.38	0.92	0.82	0.62	0.40	0.93	0.83	0.63	0.40
	ΔT	19	18	14	10	19	18	15	10	19	18	15	10	20	18	15	10	19	18	15	10	18	17	14	9
	kW	1.21	1.24	1.27	1.30	1.29	1.32	1.35	1.39	1.36	1.39	1.42	1.46	1.42	1.45	1.49	1.53	1.47	1.50	1.54	1.59	1.52	1.55	1.59	1.64
	Amps	4.4	4.5	4.6	4.8	4.7	4.8	5.0	5.2	5.1	5.2	5.4	5.6	5.4	5.6	5.7	5.9	5.8	5.9	6.1	6.3	6.1	6.2	6.4	6.7
	Hi PR	207	223	236	246	233	250	264	276	265	285	301	314	301	324	343	357	339	365	385	402	375	403	426	444
Lo PR	106	112	123	131	112	119	130	138	116	123	135	144	122	130	142	151	128	136	148	158	132	141	153	163	

IDB: Entering Indoor Dry Bulb Temperature
 High and low pressures are measured at the liquid and suction service valves.
 Shaded area reflects ACCA (TVA) conditions
 Amps = outdoor unit amps (comp.+fan)
 kW = Total system power

GSX160181F* / CA*F3636* 6D* + TXV (CONT.)

IDB	AIRFLOW	OUTDOOR AMBIENT TEMPERATURE												ENTERING INDOOR WET BULB TEMPERATURE											
		65°F				75°F				85°F				95°F				105°F				115°F			
		59	63	67	71	59	63	67	71	59	63	67	71	59	63	67	71	59	63	67	71	59	63	67	71
80	MBh	16.4	16.7	17.9	19.1	16.0	16.3	17.4	18.6	15.6	15.9	17.0	18.2	15.2	15.6	16.6	17.8	14.5	14.8	15.8	16.9	14.5	14.8	15.8	16.9
	S/T	0.85	0.80	0.65	0.49	0.88	0.83	0.67	0.50	0.91	0.85	0.69	0.52	0.93	0.88	0.71	0.53	0.97	0.91	0.74	0.55	0.97	0.91	0.74	0.55
	ΔT	24	23	20	16	25	24	21	16	25	24	21	16	25	24	21	17	25	24	20	16	23	22	19	15
	KW	1.20	1.22	1.25	1.28	1.27	1.30	1.33	1.37	1.34	1.37	1.40	1.44	1.40	1.43	1.47	1.51	1.45	1.48	1.52	1.57	1.49	1.52	1.57	1.61
	Amps	4.3	4.4	4.6	4.7	4.6	4.7	4.9	5.1	5.0	5.1	5.3	5.5	5.3	5.5	5.6	5.8	5.7	5.8	6.0	6.2	6.0	6.1	6.3	6.5
	Hi PR	203	219	231	241	228	245	259	270	259	279	295	307	295	318	336	350	332	358	378	394	367	395	417	435
	Lo PR	104	110	120	128	109	116	127	135	114	121	132	141	119	127	139	148	125	133	145	155	129	138	150	160
	MBh	17.7	18.1	19.4	20.7	17.3	17.7	18.9	20.2	16.9	17.3	18.5	19.7	16.5	16.8	18.0	19.2	15.7	16.0	17.1	18.3	14.5	14.8	15.8	16.9
	S/T	0.88	0.83	0.67	0.50	0.92	0.86	0.70	0.52	0.94	0.88	0.72	0.54	0.97	0.91	0.74	0.55	1.00	0.94	0.77	0.57	1.00	0.95	0.77	0.58
	ΔT	22	21	18	15	22	21	19	15	22	22	19	15	23	22	19	15	22	21	19	15	21	20	17	14
KW	1.22	1.24	1.28	1.31	1.30	1.32	1.36	1.40	1.37	1.40	1.43	1.48	1.43	1.46	1.50	1.54	1.48	1.51	1.56	1.60	1.53	1.56	1.60	1.65	
Amps	4.4	4.5	4.7	4.8	4.8	4.9	5.0	5.2	5.1	5.3	5.4	5.6	5.5	5.6	5.8	6.0	5.8	5.9	6.1	6.4	6.1	6.3	6.5	6.7	
Hi PR	209	225	238	248	235	253	267	279	267	288	304	317	304	328	346	361	343	369	389	406	378	407	430	449	
Lo PR	107	114	124	132	113	120	131	140	117	125	136	145	123	131	143	152	129	137	150	160	133	142	155	165	
MBh	17.7	18.1	19.4	20.7	17.3	17.7	18.9	20.2	16.9	17.3	18.5	19.7	16.5	16.8	18.0	19.2	15.7	16.0	17.1	18.3	14.5	14.8	15.8	16.9	
S/T	0.88	0.83	0.67	0.50	0.92	0.86	0.70	0.52	0.94	0.88	0.72	0.54	0.97	0.91	0.74	0.55	1.00	0.94	0.77	0.57	1.00	0.95	0.77	0.58	
ΔT	21	20	18	14	22	21	18	14	22	21	18	14	22	21	18	14	21	21	18	14	20	19	17	13	
KW	1.22	1.24	1.28	1.31	1.30	1.32	1.36	1.40	1.37	1.40	1.43	1.48	1.43	1.46	1.50	1.54	1.48	1.51	1.56	1.60	1.53	1.56	1.60	1.65	
Amps	4.4	4.5	4.7	4.8	4.8	4.9	5.0	5.2	5.1	5.3	5.4	5.6	5.5	5.6	5.8	6.0	5.8	5.9	6.1	6.4	6.1	6.3	6.5	6.7	
Hi PR	209	225	238	248	235	253	267	279	267	288	304	317	304	328	346	361	343	369	389	406	378	407	430	449	
Lo PR	107	114	124	132	113	120	131	140	117	125	136	145	123	131	143	152	129	137	150	160	133	142	155	165	

85	MBh	16.6	17.0	17.8	19.0	16.3	16.6	17.4	18.5	15.9	16.2	16.9	18.1	15.5	15.8	16.5	17.6	14.7	15.0	15.7	16.8	13.6	13.9	14.5	15.5
	S/T	0.89	0.86	0.78	0.63	0.93	0.89	0.81	0.65	0.95	0.92	0.83	0.67	0.98	0.95	0.85	0.69	1.00	0.98	0.89	0.72	1.00	0.99	0.89	0.72
	ΔT	26	26	24	21	26	26	25	21	26	26	25	21	27	26	25	21	26	26	24	21	24	24	23	20
	KW	1.21	1.23	1.26	1.29	1.28	1.31	1.34	1.38	1.35	1.38	1.41	1.45	1.41	1.44	1.48	1.52	1.46	1.49	1.53	1.58	1.51	1.53	1.58	1.63
	Amps	4.4	4.5	4.6	4.7	4.7	4.8	4.9	5.1	5.1	5.2	5.3	5.5	5.4	5.5	5.7	5.9	5.7	5.8	6.0	6.2	6.0	6.2	6.4	6.6
	Hi PR	205	221	233	243	230	248	262	273	262	282	298	310	298	321	339	354	336	361	381	398	371	399	421	439
	Lo PR	105	111	121	129	110	118	128	137	115	122	133	142	121	128	140	149	126	134	147	156	131	139	152	162
	MBh	18.0	18.4	19.3	20.5	17.6	18.0	18.8	20.1	17.2	17.5	18.4	19.6	16.8	17.1	17.9	19.1	15.9	16.2	17.0	18.2	14.8	15.0	15.8	16.8
	S/T	0.93	0.89	0.81	0.65	0.96	0.93	0.84	0.68	0.98	0.95	0.86	0.70	1.00	0.98	0.89	0.72	1.00	1.00	0.92	0.75	1.00	1.00	0.93	0.75
	ΔT	24	23	22	19	24	24	22	19	24	24	22	19	24	24	22	19	23	23	22	19	21	21	21	18
KW	1.23	1.25	1.29	1.32	1.31	1.33	1.37	1.41	1.38	1.41	1.44	1.49	1.44	1.47	1.51	1.55	1.49	1.52	1.57	1.61	1.54	1.57	1.62	1.66	
Amps	4.5	4.6	4.7	4.9	4.8	4.9	5.1	5.2	5.2	5.3	5.5	5.7	5.5	5.7	5.8	6.0	5.9	6.0	6.2	6.4	6.2	6.3	6.5	6.8	
Hi PR	212	228	240	251	237	255	270	281	270	291	307	320	308	331	349	364	346	372	393	410	382	411	434	453	
Lo PR	108	115	125	133	114	121	132	141	118	126	137	146	124	132	144	154	130	139	151	161	135	143	157	167	
MBh	18.0	18.4	19.3	20.5	17.6	18.0	18.8	20.1	17.2	17.5	18.4	19.6	16.8	17.1	17.9	19.1	15.9	16.2	17.0	18.2	14.8	15.0	15.8	16.8	
S/T	0.93	0.89	0.81	0.65	0.96	0.93	0.84	0.68	0.98	0.95	0.86	0.70	1.00	0.98	0.89	0.72	1.00	1.00	0.92	0.75	1.00	1.00	0.93	0.75	
ΔT	23	22	21	18	23	23	21	19	23	23	21	19	23	23	22	19	22	22	21	18	20	20	20	17	
KW	1.23	1.25	1.29	1.32	1.31	1.33	1.37	1.41	1.38	1.41	1.44	1.49	1.44	1.47	1.51	1.55	1.49	1.52	1.57	1.61	1.54	1.57	1.62	1.66	
Amps	4.5	4.6	4.7	4.9	4.8	4.9	5.1	5.2	5.2	5.3	5.5	5.7	5.5	5.7	5.8	6.0	5.9	6.0	6.2	6.4	6.2	6.3	6.5	6.8	
Hi PR	212	228	240	251	237	255	270	281	270	291	307	320	308	331	349	364	346	372	393	410	382	411	434	453	
Lo PR	108	115	125	133	114	121	132	141	118	126	137	146	124	132	144	154	130	139	151	161	135	143	157	167	

IDB: Entering Indoor Dry Bulb Temperature
 High and low pressures are measured at the liquid and suction service valves.
 Shaded area reflects AHRI conditions
 Amps = outdoor unit amps (comp.+fan)
 kW = Total system power

GSX160241F* / CA*F3636*6D* +TXV

IDB	AIRFLOW	OUTDOOR AMBIENT TEMPERATURE												ENTERING INDOOR WET BULB TEMPERATURE											
		65°F				75°F				85°F				95°F				105°F				115°F			
		59	63	67	71	59	63	67	71	59	63	67	71	59	63	67	71	59	63	67	71	59	63	67	71
70	MBh	22.1	22.9	25.1	-	21.6	22.4	24.5	-	21.1	21.9	23.9	-	20.6	21.3	23.4	-	19.5	20.3	22.2	-	18.1	18.8	20.6	-
	S/T	0.69	0.58	0.40	-	0.72	0.60	0.42	-	0.74	0.61	0.43	-	0.76	0.63	0.44	-	0.79	0.66	0.46	-	0.80	0.66	0.46	-
	ΔT	20	17	13	-	20	18	13	-	20	18	13	-	21	18	13	-	20	18	13	-	19	16	12	-
	kW	1.54	1.57	1.61	-	1.64	1.67	1.72	-	1.74	1.77	1.82	-	1.82	1.86	1.91	-	1.89	1.93	1.99	-	1.95	1.99	2.05	-
	Amps	5.7	5.8	6.0	-	6.1	6.3	6.5	-	6.6	6.8	7.0	-	7.1	7.3	7.5	-	7.5	7.7	8.0	-	8.0	8.2	8.4	-
	Hi PR	205	221	233	-	230	248	262	-	262	282	298	-	298	321	339	-	336	361	381	-	371	399	421	-
	Lo PR	103	109	119	-	109	116	126	-	113	120	131	-	119	126	138	-	124	132	144	-	129	137	149	-
	MBh	22.5	23.3	25.5	-	21.9	22.7	24.9	-	21.4	22.2	24.3	-	20.9	21.6	23.7	-	19.8	20.6	22.5	-	18.4	19.1	20.9	-
	S/T	0.72	0.60	0.42	-	0.74	0.62	0.43	-	0.76	0.64	0.44	-	0.79	0.66	0.46	-	0.82	0.68	0.47	-	0.82	0.69	0.48	-
	ΔT	20	17	13	-	20	17	13	-	20	17	13	-	20	17	13	-	20	17	13	-	19	16	12	-
kW	1.56	1.59	1.63	-	1.66	1.70	1.75	-	1.76	1.79	1.85	-	1.84	1.88	1.94	-	1.91	1.95	2.01	-	1.98	2.02	2.08	-	
Amps	5.8	5.9	6.1	-	6.2	6.4	6.6	-	6.7	6.9	7.1	-	7.2	7.4	7.6	-	7.6	7.8	8.1	-	8.1	8.3	8.6	-	
Hi PR	209	225	237	-	234	252	266	-	267	287	303	-	304	327	345	-	342	368	388	-	377	406	429	-	
Lo PR	105	111	122	-	111	118	128	-	115	122	133	-	121	128	140	-	126	135	147	-	131	139	152	-	
MBh	23.2	24.1	26.4	-	22.7	23.5	25.8	-	22.2	23.0	25.2	-	21.6	22.4	24.5	-	20.5	21.3	23.3	-	19.0	19.7	21.6	-	
S/T	0.76	0.64	0.44	-	0.79	0.66	0.46	-	0.81	0.68	0.47	-	0.84	0.70	0.48	-	0.87	0.73	0.50	-	0.88	0.73	0.51	-	
ΔT	18	16	12	-	18	16	12	-	18	16	12	-	18	16	12	-	18	16	12	-	17	15	11	-	
kW	1.58	1.61	1.65	-	1.69	1.72	1.77	-	1.78	1.82	1.87	-	1.87	1.91	1.97	-	1.94	1.98	2.04	-	2.01	2.05	2.11	-	
Amps	5.9	6.0	6.2	-	6.3	6.5	6.7	-	6.9	7.0	7.3	-	7.3	7.5	7.7	-	7.8	8.0	8.2	-	8.2	8.4	8.7	-	
Hi PR	213	229	242	-	239	257	272	-	272	293	309	-	310	333	352	-	348	375	396	-	385	414	437	-	
Lo PR	107	114	124	-	113	120	131	-	117	125	136	-	123	131	143	-	129	137	150	-	133	142	155	-	

75	MBh	22.5	23.2	25.1	26.9	22.0	22.6	24.5	26.3	21.4	22.1	23.9	25.6	20.9	21.5	23.3	25.0	19.9	20.5	22.1	23.8	18.4	19.0	20.5	22.0
	S/T	0.79	0.70	0.53	0.34	0.82	0.73	0.55	0.36	0.84	0.75	0.57	0.36	0.86	0.77	0.58	0.38	0.90	0.80	0.61	0.39	0.90	0.81	0.61	0.39
	ΔT	23	21	18	12	24	22	18	12	24	22	18	12	24	22	18	12	23	22	18	12	22	20	16	11
	kW	1.55	1.58	1.62	1.67	1.66	1.69	1.74	1.79	1.75	1.78	1.84	1.89	1.83	1.87	1.93	1.99	1.90	1.94	2.00	2.06	1.96	2.00	2.07	2.13
	Amps	5.7	5.9	6.1	6.3	6.2	6.3	6.5	6.8	6.7	6.9	7.1	7.3	7.2	7.3	7.6	7.8	7.6	7.8	8.0	8.3	8.0	8.2	8.5	8.8
	Hi PR	207	223	236	246	233	250	264	276	265	285	301	314	301	324	343	357	339	365	385	402	375	403	426	444
	Lo PR	104	111	121	128	110	117	127	136	114	121	132	141	120	127	139	148	126	134	146	155	130	138	151	161
	MBh	22.8	23.5	25.4	27.3	22.3	23.0	24.9	26.7	21.8	22.4	24.3	26.0	21.2	21.9	23.7	25.4	20.2	20.8	22.5	24.1	18.7	19.2	20.8	22.4
	S/T	0.82	0.73	0.55	0.36	0.85	0.76	0.57	0.37	0.87	0.78	0.59	0.38	0.90	0.80	0.61	0.39	0.93	0.83	0.63	0.40	0.94	0.84	0.63	0.41
	ΔT	23	21	17	12	23	21	17	12	23	21	17	12	23	21	18	12	23	21	17	12	21	20	16	11
kW	1.57	1.60	1.64	1.69	1.68	1.71	1.76	1.81	1.77	1.81	1.86	1.92	1.86	1.89	1.95	2.01	1.93	1.97	2.03	2.09	1.99	2.03	2.09	2.16	
Amps	5.8	6.0	6.1	6.4	6.3	6.4	6.6	6.9	6.8	7.0	7.2	7.5	7.3	7.4	7.7	8.0	7.7	7.9	8.2	8.5	8.2	8.4	8.6	9.0	
Hi PR	211	227	240	250	237	255	269	281	269	290	306	319	307	330	348	363	345	371	392	409	381	410	433	452	
Lo PR	106	112	123	131	112	119	130	138	116	123	135	144	122	130	142	151	128	136	148	158	132	141	153	163	
MBh	23.6	24.3	26.3	28.3	23.1	23.8	25.7	27.6	22.5	23.2	25.1	27.0	22.0	22.6	24.5	26.3	20.9	21.5	23.3	25.0	19.3	19.9	21.6	23.1	
S/T	0.87	0.78	0.59	0.38	0.90	0.80	0.61	0.39	0.92	0.83	0.62	0.40	0.95	0.85	0.64	0.41	0.99	0.88	0.67	0.43	1.00	0.89	0.67	0.43	
ΔT	21	19	16	11	21	20	16	11	21	20	16	11	21	20	16	11	21	19	16	11	20	18	15	10	
kW	1.59	1.62	1.67	1.72	1.70	1.73	1.79	1.84	1.80	1.83	1.89	1.95	1.88	1.92	1.98	2.04	1.96	2.00	2.06	2.12	2.02	2.06	2.13	2.19	
Amps	5.9	6.1	6.3	6.5	6.4	6.5	6.7	7.0	6.9	7.1	7.3	7.6	7.4	7.6	7.8	8.1	7.9	8.0	8.3	8.6	8.3	8.5	8.8	9.1	
Hi PR	215	232	245	255	241	260	274	286	275	296	312	326	313	337	355	371	352	379	400	417	389	418	442	461	
Lo PR	108	115	125	133	114	121	132	141	118	126	137	146	124	132	144	154	130	139	151	161	135	143	157	167	

IDB: Entering Indoor Dry Bulb Temperature
 High and low pressures are measured at the liquid and suction service valves.
 Shaded area reflects ACCA (TVA) conditions
 Amps = outdoor unit amps (comp.+fan)
 kW = Total system power

GSX160241F* / CA*F3636*6D* +TXV (CONT.)

IDB	AIRFLOW	OUTDOOR AMBIENT TEMPERATURE												ENTERING INDOOR WET BULB TEMPERATURE											
		65°F				75°F				85°F				95°F				105°F				115°F			
		59	63	67	71	59	63	67	71	59	63	67	71	59	63	67	71	59	63	67	71	59	63	67	71
80	MBh	22.9	23.4	25.0	26.7	22.4	22.8	24.4	26.1	21.8	22.3	23.8	25.5	21.3	21.8	23.2	24.8	20.2	20.7	22.1	23.6	18.7	19.1	20.5	21.9
	S/T	0.86	0.81	0.66	0.49	0.90	0.84	0.68	0.51	0.92	0.86	0.70	0.52	0.95	0.89	0.72	0.54	0.98	0.92	0.75	0.56	0.99	0.93	0.76	0.57
	ΔT	26	25	22	17	26	25	22	18	26	25	22	18	27	25	22	18	26	25	22	17	24	23	20	16
	KW	1.56	1.59	1.63	1.68	1.67	1.70	1.75	1.80	1.76	1.80	1.85	1.91	1.85	1.88	1.94	2.00	1.92	1.96	2.02	2.08	1.98	2.02	2.08	2.15
	Amps	5.8	5.9	6.1	6.3	6.2	6.4	6.6	6.8	6.8	6.9	7.1	7.4	7.2	7.4	7.6	7.9	7.7	7.9	8.1	8.4	8.1	8.3	8.6	8.9
	Hi PR	209	225	238	248	235	253	267	279	267	288	304	317	304	328	346	361	343	369	389	406	378	407	430	449
	Lo PR	105	112	122	130	111	118	129	137	115	123	134	143	121	129	141	150	127	135	147	157	131	140	152	162
	MBh	23.2	23.7	25.4	27.1	22.7	23.2	24.8	26.5	22.2	22.6	24.2	25.9	21.6	22.1	23.6	25.2	20.5	21.0	22.4	24.0	19.0	19.4	20.8	22.2
	S/T	0.90	0.84	0.68	0.51	0.93	0.87	0.71	0.53	0.95	0.89	0.73	0.54	0.98	0.92	0.75	0.56	1.00	0.96	0.78	0.58	1.00	0.96	0.78	0.59
	ΔT	26	24	21	17	26	25	22	17	26	25	22	17	26	25	22	17	25	25	21	17	23	23	20	16
KW	1.58	1.61	1.65	1.70	1.69	1.72	1.77	1.83	1.79	1.82	1.88	1.93	1.87	1.91	1.97	2.03	1.94	1.98	2.04	2.11	2.01	2.05	2.11	2.18	
Amps	5.9	6.0	6.2	6.4	6.3	6.5	6.7	6.9	6.9	7.0	7.3	7.5	7.3	7.5	7.7	8.0	7.8	8.0	8.2	8.5	8.2	8.4	8.7	9.0	
Hi PR	213	229	242	253	239	257	272	283	272	293	309	322	310	333	352	367	348	375	396	413	385	414	438	456	
Lo PR	107	114	124	132	113	120	131	140	117	125	136	145	123	131	143	152	129	137	150	160	133	142	155	165	
MBh	24.1	24.6	26.3	28.1	23.5	24.0	25.6	27.4	22.9	23.4	25.0	26.8	22.4	22.9	24.4	26.1	21.3	21.7	23.2	24.8	19.7	20.1	21.5	23.0	
S/T	0.95	0.89	0.73	0.54	1.00	0.93	0.75	0.56	1.00	0.95	0.77	0.58	1.00	1.00	0.80	0.60	1.00	1.00	0.83	0.62	1.00	1.00	0.83	0.62	
ΔT	23	22	19	16	24	23	20	16	23	23	20	16	23	23	20	16	22	22	20	16	20	21	18	15	
KW	1.60	1.63	1.68	1.73	1.71	1.75	1.80	1.85	1.81	1.85	1.90	1.96	1.90	1.94	2.00	2.06	1.97	2.01	2.08	2.14	2.04	2.08	2.14	2.21	
Amps	6.0	6.1	6.3	6.5	6.4	6.6	6.8	7.1	7.0	7.2	7.4	7.7	7.5	7.6	7.9	8.2	7.9	8.1	8.4	8.7	8.4	8.6	8.9	9.2	
Hi PR	217	234	247	258	244	262	277	289	277	299	315	329	316	340	359	374	355	383	404	421	393	423	446	465	
Lo PR	109	116	126	135	115	122	134	142	120	127	139	148	126	134	146	155	132	140	153	163	136	145	158	168	

85	MBh	23.3	23.7	24.9	26.5	22.7	23.2	24.3	25.9	22.2	22.6	23.7	25.3	21.7	22.1	23.1	24.7	20.6	21.0	22.0	23.4	19.1	19.4	20.4	21.7
	S/T	0.91	0.87	0.79	0.64	0.94	0.91	0.82	0.66	0.96	0.93	0.84	0.68	0.99	0.96	0.87	0.70	1.00	0.99	0.90	0.73	1.00	1.00	0.91	0.73
	ΔT	28	27	26	22	28	28	26	23	28	28	26	23	28	28	26	23	27	27	26	22	25	26	24	21
	KW	1.57	1.60	1.65	1.69	1.68	1.71	1.76	1.82	1.78	1.81	1.87	1.92	1.86	1.90	1.96	2.02	1.93	1.97	2.03	2.10	2.00	2.04	2.10	2.17
	Amps	5.8	6.0	6.2	6.4	6.3	6.4	6.6	6.9	6.8	7.0	7.2	7.5	7.3	7.5	7.7	8.0	7.7	7.9	8.2	8.5	8.2	8.4	8.7	9.0
	Hi PR	212	228	240	251	237	255	270	281	270	291	307	320	308	331	349	365	346	372	393	410	382	411	434	453
	Lo PR	106	113	123	131	112	119	130	139	116	124	135	144	122	130	142	151	128	136	149	158	133	141	154	164
	MBh	23.6	24.1	25.2	26.9	23.1	23.5	24.7	26.3	22.5	23.0	24.1	25.7	22.0	22.4	23.5	25.1	20.9	21.3	22.3	23.8	19.4	19.7	20.7	22.0
	S/T	0.94	0.91	0.82	0.66	0.97	0.94	0.85	0.69	1.00	0.96	0.87	0.71	1.00	0.99	0.90	0.73	1.00	1.00	0.93	0.76	1.00	1.00	0.94	0.76
	ΔT	27	27	25	22	28	27	26	22	28	27	26	22	27	27	26	22	26	26	25	22	24	24	24	21
KW	1.59	1.62	1.67	1.72	1.70	1.73	1.79	1.84	1.80	1.83	1.89	1.95	1.89	1.92	1.98	2.04	1.96	2.00	2.06	2.12	2.02	2.06	2.13	2.20	
Amps	5.9	6.1	6.3	6.5	6.4	6.5	6.7	7.0	6.9	7.1	7.3	7.6	7.4	7.6	7.8	8.1	7.9	8.0	8.3	8.6	8.3	8.5	8.8	9.1	
Hi PR	215	232	245	255	242	260	274	286	275	296	312	326	313	337	356	371	352	379	400	417	389	418	442	461	
Lo PR	108	115	125	133	114	121	132	141	118	126	137	146	124	132	144	154	130	139	151	161	135	143	157	167	
MBh	24.5	24.9	26.1	27.9	23.9	24.4	25.5	27.2	23.3	23.8	24.9	26.6	22.8	23.2	24.3	25.9	21.6	22.0	23.1	24.6	20.0	20.4	21.4	22.8	
S/T	1.00	0.96	0.87	0.71	1.00	1.00	0.90	0.73	1.00	1.00	0.92	0.75	1.00	1.00	0.95	0.77	1.00	1.00	0.99	0.80	1.00	1.00	1.00	0.81	
ΔT	25	25	23	20	24	25	23	20	24	24	24	20	23	24	24	20	22	23	23	20	20	21	22	19	
KW	1.61	1.64	1.69	1.74	1.73	1.76	1.81	1.87	1.83	1.86	1.92	1.98	1.91	1.95	2.01	2.08	1.99	2.03	2.09	2.16	2.05	2.10	2.16	2.23	
Amps	6.0	6.2	6.4	6.6	6.5	6.7	6.9	7.1	7.1	7.2	7.5	7.7	7.5	7.7	8.0	8.3	8.0	8.2	8.5	8.8	8.5	8.7	9.0	9.3	
Hi PR	220	236	249	260	246	265	280	292	280	302	318	332	319	343	363	378	359	386	408	426	397	427	451	470	
Lo PR	110	117	128	136	116	124	135	144	121	128	140	149	127	135	147	157	133	141	154	164	137	146	160	170	

IDB: Entering Indoor Dry Bulb Temperature
 High and low pressures are measured at the liquid and suction service valves.
 Shaded area reflects AHRI conditions
 Amps = outdoor unit amps (comp.+fan)
 kW = Total system power

GSX160301F* / CA*F3743*6D* +TXV

IDB		OUTDOOR AMBIENT TEMPERATURE												ENTERING INDOOR WET BULB TEMPERATURE											
		65°F				75°F				85°F				95°F				105°F				115°F			
		59	63	67	71	59	63	67	71	59	63	67	71	59	63	67	71	59	63	67	71	59	63	67	71
70	MBh	25.5	26.4	28.9	-	24.9	25.8	28.2	-	24.3	25.2	27.6	-	23.7	24.6	26.9	-	22.5	23.3	25.6	-	20.8	21.6	23.7	-
	S/T	0.70	0.59	0.41	-	0.73	0.61	0.42	-	0.75	0.62	0.43	-	0.77	0.64	0.45	-	0.80	0.67	0.46	-	0.81	0.67	0.47	-
	ΔT	19	16	12	-	19	16	12	-	19	16	13	-	19	17	13	-	19	16	12	-	18	15	12	-
	kW	1.87	1.90	1.96	-	2.00	2.04	2.10	-	2.11	2.15	2.22	-	2.21	2.26	2.32	-	2.30	2.34	2.41	-	2.37	2.42	2.49	-
	Amps	6.8	6.9	7.1	-	7.3	7.5	7.7	-	7.9	8.1	8.4	-	8.5	8.7	9.0	-	9.0	9.2	9.5	-	9.5	9.8	10.1	-
	Hi PR	214	230	243	-	240	258	272	-	272	293	310	-	310	334	353	-	349	376	397	-	386	415	438	-
	Lo PR	104	110	120	-	109	116	127	-	114	121	132	-	119	127	139	-	125	133	145	-	130	138	150	-
	MBh	27.6	28.6	31.3	-	26.9	27.9	30.6	-	26.3	27.3	29.9	-	25.7	26.6	29.1	-	24.4	25.3	27.7	-	22.6	23.4	25.6	-
	S/T	0.73	0.61	0.42	-	0.75	0.63	0.44	-	0.77	0.65	0.45	-	0.80	0.67	0.46	-	0.83	0.69	0.48	-	0.84	0.70	0.48	-
	ΔT	18	16	12	-	19	16	12	-	19	16	12	-	19	16	12	-	19	16	12	-	17	15	11	-
kW	1.91	1.95	2.00	-	2.04	2.08	2.14	-	2.16	2.20	2.27	-	2.26	2.31	2.38	-	2.35	2.40	2.47	-	2.43	2.48	2.55	-	
Amps	6.9	7.1	7.3	-	7.5	7.7	7.9	-	8.2	8.3	8.6	-	8.7	8.9	9.2	-	9.3	9.5	9.8	-	9.8	10.1	10.4	-	
Hi PR	220	237	250	-	247	266	281	-	281	302	319	-	320	344	364	-	360	387	409	-	398	428	452	-	
Lo PR	107	114	124	-	113	120	131	-	117	125	136	-	123	131	143	-	129	137	150	-	134	142	155	-	
MBh	28.4	29.5	32.3	-	27.8	28.8	31.5	-	27.1	28.1	30.8	-	26.4	27.4	30.0	-	25.1	26.0	28.5	-	23.3	24.1	26.4	-	
S/T	0.76	0.64	0.44	-	0.79	0.66	0.46	-	0.81	0.68	0.47	-	0.84	0.70	0.48	-	0.87	0.73	0.50	-	0.88	0.73	0.51	-	
ΔT	18	15	12	-	18	16	12	-	18	16	12	-	18	16	12	-	18	15	12	-	17	14	11	-	
kW	1.92	1.96	2.02	-	2.06	2.10	2.16	-	2.18	2.22	2.29	-	2.28	2.33	2.40	-	2.37	2.42	2.49	-	2.45	2.50	2.57	-	
Amps	7.0	7.2	7.4	-	7.6	7.8	8.0	-	8.2	8.4	8.7	-	8.8	9.0	9.3	-	9.4	9.6	9.9	-	9.9	10.1	10.5	-	
Hi PR	222	239	253	-	249	268	283	-	284	305	322	-	323	348	367	-	364	391	413	-	402	432	456	-	
Lo PR	108	115	125	-	114	121	132	-	118	126	138	-	124	132	145	-	130	139	151	-	135	143	157	-	

75	MBh	25.9	26.7	28.9	31.0	25.3	26.0	28.2	30.3	24.7	25.4	27.5	29.5	24.1	24.8	26.8	28.8	22.9	23.6	25.5	27.4	21.2	21.8	23.6	25.4
	S/T	0.80	0.71	0.54	0.35	0.83	0.74	0.56	0.36	0.85	0.76	0.57	0.37	0.88	0.78	0.59	0.38	0.91	0.81	0.62	0.40	0.92	0.82	0.62	0.40
	ΔT	22	20	16	11	22	20	17	11	22	20	17	11	22	20	16	11	22	20	16	11	20	19	15	11
	kW	1.88	1.92	1.97	2.03	2.01	2.05	2.11	2.17	2.13	2.17	2.23	2.30	2.23	2.27	2.34	2.41	2.31	2.36	2.43	2.51	2.39	2.44	2.51	2.59
	Amps	6.8	7.0	7.2	7.5	7.4	7.5	7.8	8.1	8.0	8.2	8.5	8.8	8.5	8.8	9.0	9.4	9.1	9.3	9.6	10.0	9.6	9.9	10.2	10.6
	Hi PR	216	232	245	256	242	260	275	287	275	296	313	326	314	337	356	372	353	380	401	418	390	419	443	462
	Lo PR	105	111	122	129	111	118	128	137	115	122	133	142	121	128	140	149	127	135	147	156	131	139	152	162
	MBh	28.1	28.9	31.3	33.6	27.4	28.2	30.5	32.8	26.8	27.5	29.8	32.0	26.1	26.9	29.1	31.2	24.8	25.5	27.6	29.7	23.0	23.6	25.6	27.5
	S/T	0.83	0.74	0.56	0.36	0.86	0.77	0.58	0.37	0.88	0.79	0.60	0.38	0.91	0.81	0.61	0.40	0.94	0.84	0.64	0.41	0.95	0.85	0.64	0.41
	ΔT	21	20	16	11	22	20	16	11	22	20	16	11	22	20	16	11	21	20	16	11	20	18	15	10
kW	1.92	1.96	2.02	2.08	2.06	2.10	2.16	2.22	2.18	2.22	2.29	2.36	2.28	2.33	2.40	2.47	2.37	2.42	2.49	2.57	2.45	2.50	2.57	2.66	
Amps	7.0	7.2	7.4	7.7	7.6	7.8	8.0	8.3	8.2	8.4	8.7	9.0	8.8	9.0	9.3	9.7	9.4	9.6	9.9	10.3	9.9	10.2	10.5	10.9	
Hi PR	222	239	253	264	250	269	284	296	284	305	322	336	323	348	367	383	364	391	413	431	402	432	457	476	
Lo PR	108	115	125	133	114	121	132	141	118	126	138	147	124	132	145	154	130	139	151	161	135	144	157	167	
MBh	28.9	29.8	32.2	34.6	28.2	29.1	31.5	33.8	27.6	28.4	30.7	33.0	26.9	27.7	30.0	32.2	25.5	26.3	28.5	30.5	23.7	24.4	26.4	28.3	
S/T	0.87	0.78	0.59	0.38	0.90	0.80	0.61	0.39	0.92	0.82	0.62	0.40	0.95	0.85	0.64	0.41	0.99	0.88	0.67	0.43	1.00	0.89	0.67	0.43	
ΔT	20	19	15	11	21	19	16	11	21	19	16	11	21	19	16	11	21	19	16	11	19	18	15	10	
kW	1.94	1.97	2.03	2.09	2.07	2.11	2.18	2.24	2.19	2.24	2.30	2.37	2.30	2.35	2.42	2.49	2.39	2.44	2.51	2.59	2.47	2.52	2.60	2.68	
Amps	7.1	7.2	7.5	7.8	7.6	7.8	8.1	8.4	8.3	8.5	8.8	9.1	8.9	9.1	9.4	9.7	9.4	9.7	10.0	10.4	10.0	10.2	10.6	11.0	
Hi PR	225	242	255	266	252	271	286	299	287	308	326	340	326	351	371	387	367	395	417	435	406	437	461	481	
Lo PR	109	116	127	135	115	122	134	142	120	127	139	148	126	134	146	155	132	140	153	163	136	145	158	169	

IDB: Entering Indoor Dry Bulb Temperature
 High and low pressures are measured at the liquid and suction service valves.
 Shaded area reflects ACCA (TVA) conditions
 Amps = outdoor unit amps (comp.+fan)
 kW = Total system power

GSX160301F* / CA*F3743*6D* +TXV (CONT.)

IDB	AIRFLOW	OUTDOOR AMBIENT TEMPERATURE												ENTERING INDOOR WET BULB TEMPERATURE											
		65°F				75°F				85°F				95°F				105°F				115°F			
		59	63	67	71	59	63	67	71	59	63	67	71	59	63	67	71	59	63	67	71	59	63	67	71
80	MBh	26.4	26.9	28.8	30.8	25.7	26.3	28.1	30.0	25.1	25.7	27.4	29.3	24.5	25.1	26.8	28.6	23.3	23.8	25.4	27.2	21.6	22.0	23.6	25.2
	S/T	0.88	0.82	0.67	0.50	0.91	0.85	0.69	0.52	0.93	0.87	0.71	0.53	0.96	0.90	0.73	0.55	1.00	0.93	0.76	0.57	1.00	0.94	0.77	0.57
	ΔT	24	23	20	16	25	24	20	16	25	24	21	16	25	24	21	16	24	23	20	16	23	22	19	15
	KW	1.90	1.93	1.99	2.04	2.03	2.07	2.13	2.19	2.14	2.19	2.25	2.32	2.25	2.29	2.36	2.43	2.33	2.38	2.45	2.53	2.41	2.46	2.53	2.61
	Amps	6.9	7.0	7.3	7.5	7.4	7.6	7.9	8.2	8.1	8.3	8.5	8.9	8.6	8.8	9.1	9.5	9.2	9.4	9.7	10.1	9.7	10.0	10.3	10.7
	Hi PR	218	234	248	258	244	263	278	290	278	299	316	330	317	341	360	375	356	383	405	422	394	424	447	467
	Lo PR	106	112	123	131	112	119	130	138	116	123	135	144	122	130	142	151	128	136	148	158	132	141	154	163
	MBh	28.6	29.2	31.2	33.3	27.9	28.5	30.5	32.6	27.2	27.8	29.7	31.8	26.6	27.1	29.0	31.0	25.2	25.8	27.6	29.5	23.4	23.9	25.5	27.3
	S/T	0.91	0.85	0.69	0.52	0.94	0.88	0.72	0.54	0.96	0.90	0.74	0.55	1.00	0.93	0.76	0.57	1.00	0.97	0.79	0.59	1.00	0.98	0.80	0.59
	ΔT	24	23	20	16	24	23	20	16	24	23	20	16	24	23	20	16	23	23	20	16	21	21	19	15
KW	1.94	1.97	2.03	2.09	2.07	2.11	2.18	2.24	2.19	2.24	2.30	2.37	2.30	2.35	2.42	2.49	2.39	2.44	2.51	2.59	2.47	2.52	2.60	2.68	
Amps	7.1	7.2	7.5	7.8	7.6	7.8	8.1	8.4	8.3	8.5	8.8	9.1	8.9	9.1	9.4	9.7	9.4	9.7	10.0	10.4	10.0	10.2	10.6	11.0	
Hi PR	225	242	255	266	252	271	286	299	287	308	326	340	326	351	371	387	367	395	417	435	406	437	461	481	
Lo PR	109	116	127	135	115	123	134	142	120	127	139	148	126	134	146	155	132	140	153	163	136	145	158	169	
MBh	29.4	30.1	32.1	34.3	28.7	29.4	31.4	33.5	28.0	28.7	30.6	32.7	27.4	28.0	29.9	31.9	26.0	26.6	28.4	30.3	24.1	24.6	26.3	28.1	
S/T	0.95	0.89	0.73	0.54	1.00	0.93	0.75	0.56	1.00	0.95	0.77	0.58	1.00	1.00	0.80	0.60	1.00	1.00	0.83	0.62	1.00	1.00	0.83	0.62	
ΔT	23	22	19	15	23	22	19	15	23	22	19	15	22	23	19	16	21	22	19	15	20	20	18	14	
KW	1.95	1.99	2.05	2.11	2.09	2.13	2.19	2.26	2.21	2.25	2.32	2.39	2.32	2.36	2.44	2.51	2.41	2.46	2.53	2.61	2.48	2.54	2.62	2.70	
Amps	7.1	7.3	7.5	7.8	7.7	7.9	8.2	8.5	8.4	8.6	8.9	9.2	9.0	9.2	9.5	9.8	9.5	9.8	10.1	10.5	10.1	10.3	10.7	11.1	
Hi PR	227	244	258	269	255	274	289	302	290	312	329	343	330	355	375	391	371	399	422	440	410	441	466	486	
Lo PR	110	117	128	136	116	124	135	144	121	129	140	150	127	135	147	157	133	142	155	165	138	146	160	170	

85	MBh	26.8	27.3	28.6	30.5	26.2	26.7	28.0	29.8	25.6	26.1	27.3	29.1	24.9	25.4	26.6	28.4	23.7	24.2	25.3	27.0	22.0	22.4	23.4	25.0
	S/T	0.92	0.89	0.80	0.65	0.95	0.92	0.83	0.67	0.98	0.94	0.85	0.69	1.00	0.97	0.88	0.71	1.00	1.00	0.91	0.74	1.00	1.00	0.92	0.74
	ΔT	26	25	24	21	26	26	24	21	26	26	24	21	26	26	24	21	25	25	24	21	23	24	23	20
	KW	1.91	1.95	2.00	2.06	2.04	2.08	2.14	2.21	2.16	2.20	2.27	2.34	2.26	2.31	2.38	2.45	2.35	2.40	2.47	2.55	2.43	2.48	2.55	2.63
	Amps	6.9	7.1	7.3	7.6	7.5	7.7	7.9	8.2	8.1	8.3	8.6	8.9	8.7	8.9	9.2	9.6	9.3	9.5	9.8	10.2	9.8	10.1	10.4	10.8
	Hi PR	220	237	250	261	247	266	281	293	281	302	319	333	320	344	363	379	360	387	409	426	398	428	452	471
	Lo PR	107	114	124	132	113	120	131	140	117	125	136	145	123	131	143	152	129	137	150	160	133	142	155	165
	MBh	29.1	29.6	31.0	33.1	28.4	28.9	30.3	32.3	27.7	28.2	29.6	31.6	27.0	27.6	28.9	30.8	25.7	26.2	27.4	29.2	23.8	24.2	25.4	27.1
	S/T	0.95	0.92	0.83	0.67	0.99	0.95	0.86	0.70	1.00	0.98	0.88	0.71	1.00	1.00	0.91	0.74	1.00	1.00	0.94	0.77	1.00	1.00	0.95	0.77
	ΔT	25	25	24	20	26	25	24	21	25	25	24	21	25	25	24	21	24	24	24	21	22	22	22	19
KW	1.95	1.99	2.05	2.11	2.09	2.13	2.19	2.26	2.21	2.25	2.32	2.39	2.32	2.36	2.44	2.51	2.41	2.46	2.53	2.61	2.48	2.54	2.62	2.70	
Amps	7.1	7.3	7.5	7.8	7.7	7.9	8.2	8.5	8.4	8.6	8.9	9.2	9.0	9.2	9.5	9.8	9.5	9.8	10.1	10.5	10.1	10.3	10.7	11.1	
Hi PR	227	244	258	269	255	274	289	302	290	312	329	343	330	355	375	391	371	399	422	440	410	441	466	486	
Lo PR	110	117	128	136	116	124	135	144	121	129	140	150	127	135	147	157	133	142	155	165	138	146	160	170	
MBh	29.9	30.5	31.9	34.1	29.2	29.8	31.2	33.3	28.5	29.1	30.5	32.5	27.8	28.4	29.7	31.7	26.4	27.0	28.2	30.1	24.5	25.0	26.2	27.9	
S/T	1.00	0.96	0.87	0.70	1.00	1.00	0.90	0.73	1.00	1.00	0.92	0.75	1.00	1.00	0.95	0.77	1.00	1.00	0.99	0.80	1.00	1.00	1.00	0.81	
ΔT	24	24	23	20	24	24	23	20	23	24	23	20	23	23	23	20	22	22	23	20	20	20	21	18	
KW	1.97	2.00	2.06	2.12	2.10	2.15	2.21	2.28	2.23	2.27	2.34	2.41	2.33	2.38	2.45	2.53	2.43	2.48	2.55	2.63	2.50	2.56	2.64	2.72	
Amps	7.2	7.4	7.6	7.9	7.8	8.0	8.2	8.5	8.5	8.7	8.9	9.3	9.0	9.3	9.6	9.9	9.6	9.9	10.2	10.6	10.2	10.4	10.8	11.2	
Hi PR	229	247	260	272	257	277	292	305	292	315	332	347	333	358	378	395	375	403	426	444	414	445	470	491	
Lo PR	111	118	129	138	117	125	136	145	122	130	142	151	128	136	149	159	134	143	156	166	139	148	161	172	

IDB: Entering Indoor Dry Bulb Temperature
 High and low pressures are measured at the liquid and suction service valves.
 Shaded area reflects AHRI conditions
 Amps = outdoor unit amps (comp.+fan)
 kW = Total system power

GSX160361F* / CA*F4860*6D* +TXV

IDB		OUTDOOR AMBIENT TEMPERATURE												ENTERING INDOOR WET BULB TEMPERATURE													
		65°F				75°F				85°F				95°F				105°F				115°F					
		59	63	67	71	59	63	67	71	59	63	67	71	59	63	67	71	59	63	67	71	59	63	67	71		
70	AIRFLOW	MBh	30.6	31.7	34.7	-	29.8	30.9	33.9	-	29.1	30.2	33.1	-	28.4	29.5	32.3	-	27.0	28.0	30.7	-	25.0	25.9	28.4	-	
		S/T	0.71	0.59	0.41	-	0.74	0.62	0.43	-	0.76	0.63	0.44	-	0.78	0.65	0.45	-	0.81	0.68	0.47	-	0.82	0.68	0.47	-	
	1050	ΔT	19	16	13	-	19	17	13	-	19	17	13	-	19	17	13	-	19	17	13	-	18	15	12	-	
		kW	2.23	2.27	2.34	-	2.39	2.44	2.51	-	2.53	2.58	2.66	-	2.65	2.70	2.79	-	2.75	2.81	2.90	-	2.84	2.90	2.99	-	
	1200	Amps	8.1	8.3	8.5	-	8.7	8.9	9.2	-	9.5	9.7	10.0	-	10.1	10.4	10.7	-	10.8	11.1	11.4	-	11.5	11.7	12.1	-	
		Hi PR	219	236	249	-	246	265	280	-	280	301	318	-	319	343	362	-	359	386	407	-	396	426	450	-	
	1350	Lo PR	103	109	120	-	109	116	126	-	113	120	131	-	119	126	138	-	124	132	144	-	129	137	149	-	
		MBh	33.1	34.3	37.6	-	32.3	33.5	36.7	-	31.6	32.7	35.8	-	30.8	31.9	35.0	-	29.3	30.3	33.2	-	27.1	28.1	30.8	-	
	75	AIRFLOW	S/T	0.74	0.62	0.43	-	0.76	0.64	0.44	-	0.78	0.65	0.45	-	0.81	0.68	0.47	-	0.84	0.70	0.49	-	0.85	0.71	0.49	-
			ΔT	19	16	12	-	19	16	12	-	19	16	12	-	19	17	13	-	19	16	12	-	18	15	12	-
1050		kW	2.28	2.33	2.39	-	2.44	2.49	2.57	-	2.59	2.64	2.72	-	2.71	2.77	2.85	-	2.82	2.88	2.97	-	2.91	2.97	3.07	-	
		Amps	8.3	8.5	8.8	-	9.0	9.2	9.5	-	9.8	10.0	10.3	-	10.4	10.7	11.1	-	11.1	11.4	11.8	-	11.8	12.1	12.5	-	
1200		Hi PR	226	243	257	-	254	273	288	-	288	310	328	-	329	354	373	-	370	398	420	-	408	440	464	-	
		Lo PR	106	113	123	-	112	119	130	-	116	124	135	-	122	130	142	-	128	136	149	-	133	141	154	-	
1350		MBh	34.1	35.3	38.7	-	33.3	34.5	37.8	-	32.5	33.7	36.9	-	31.7	32.9	36.0	-	30.1	31.2	34.2	-	27.9	28.9	31.7	-	
		S/T	0.77	0.65	0.45	-	0.80	0.67	0.46	-	0.82	0.69	0.48	-	0.85	0.71	0.49	-	0.88	0.74	0.51	-	0.89	0.74	0.51	-	
75		AIRFLOW	ΔT	18	16	12	-	18	16	12	-	18	16	12	-	18	16	12	-	18	16	12	-	17	15	11	-
			kW	2.30	2.34	2.41	-	2.46	2.51	2.59	-	2.61	2.66	2.74	-	2.73	2.79	2.88	-	2.84	2.90	2.99	-	2.94	3.00	3.09	-
	1050	Amps	8.4	8.6	8.9	-	9.1	9.3	9.6	-	9.9	10.1	10.4	-	10.5	10.8	11.2	-	11.2	11.5	11.9	-	11.9	12.2	12.6	-	
		Hi PR	228	246	259	-	256	276	291	-	291	314	331	-	332	357	377	-	373	402	424	-	413	444	469	-	
	1200	Lo PR	107	114	124	-	113	120	131	-	118	125	137	-	124	131	144	-	130	138	150	-	134	143	156	-	
		MBh	31.1	32.0	34.6	37.2	30.4	31.3	33.8	36.3	29.6	30.5	33.0	35.4	28.9	29.8	32.2	34.6	27.5	28.3	30.6	32.8	25.4	26.2	28.4	30.4	
	1350	S/T	0.81	0.72	0.55	0.35	0.84	0.75	0.57	0.36	0.86	0.77	0.58	0.37	0.89	0.79	0.60	0.39	0.92	0.82	0.62	0.40	0.93	0.83	0.63	0.40	
		ΔT	22	20	17	11	22	21	17	12	22	21	17	12	22	21	17	12	22	20	17	12	21	19	16	11	
	75	AIRFLOW	kW	2.25	2.29	2.36	2.43	2.41	2.45	2.53	2.60	2.55	2.60	2.68	2.76	2.67	2.73	2.81	2.90	2.78	2.83	2.92	3.01	2.87	2.93	3.02	3.11
			Amps	8.1	8.3	8.6	8.9	8.8	9.0	9.3	9.7	9.6	9.8	10.1	10.5	10.2	10.5	10.9	11.3	10.9	11.2	11.6	12.0	11.6	11.9	12.3	12.7
1050		Hi PR	222	238	252	263	249	267	282	295	283	304	321	335	322	346	366	382	362	390	412	429	400	431	455	474	
		Lo PR	104	111	121	129	110	117	128	136	114	121	133	141	120	128	139	148	126	134	146	155	130	138	151	161	
1200		MBh	33.7	34.7	37.5	40.3	32.9	33.9	36.6	39.3	32.1	33.1	35.8	38.4	31.3	32.2	34.9	37.5	29.8	30.6	33.2	35.6	27.6	28.4	30.7	33.0	
		S/T	0.84	0.75	0.57	0.37	0.87	0.78	0.59	0.38	0.89	0.80	0.60	0.39	0.92	0.82	0.62	0.40	0.95	0.85	0.65	0.42	0.96	0.86	0.65	0.42	
1350		ΔT	22	20	16	11	22	20	17	11	22	20	17	11	22	20	17	11	22	20	16	11	20	19	15	11	
		kW	2.30	2.34	2.41	2.48	2.46	2.51	2.59	2.67	2.61	2.66	2.74	2.83	2.73	2.79	2.88	2.97	2.84	2.90	2.99	3.09	2.94	3.00	3.09	3.19	
75		AIRFLOW	Amps	8.4	8.6	8.9	9.2	9.1	9.3	9.6	10.0	9.9	10.1	10.4	10.8	10.5	10.8	11.2	11.6	11.2	11.5	11.9	12.3	11.9	12.2	12.6	13.1
			Hi PR	228	246	260	271	256	276	291	304	291	314	331	345	332	357	377	393	373	402	424	443	413	444	469	489
1050	Lo PR	107	114	124	133	113	120	131	140	118	125	137	146	124	131	144	153	130	138	150	160	134	143	156	166		
	MBh	34.7	35.7	38.6	41.5	33.9	34.9	37.7	40.5	33.1	34.0	36.9	39.6	32.3	33.2	36.0	38.6	30.6	31.6	34.2	36.7	28.4	29.2	31.6	34.0		
1200	S/T	0.88	0.79	0.60	0.38	0.91	0.81	0.62	0.40	0.93	0.84	0.63	0.41	0.96	0.86	0.65	0.42	1.00	0.90	0.68	0.44	1.00	0.90	0.68	0.44		
	ΔT	21	19	16	11	21	19	16	11	21	19	16	11	21	20	16	11	21	19	16	11	19	18	15	10		
1350	kW	2.32	2.36	2.43	2.50	2.48	2.53	2.61	2.69	2.63	2.68	2.76	2.85	2.76	2.81	2.90	2.99	2.86	2.93	3.02	3.11	2.96	3.02	3.12	3.22		
	Amps	8.5	8.7	8.9	9.3	9.1	9.4	9.7	10.0	9.9	10.2	10.5	10.9	10.6	10.9	11.3	11.7	11.3	11.6	12.0	12.5	12.0	12.3	12.7	13.2		
75	AIRFLOW	Hi PR	231	248	262	273	259	279	294	307	294	317	334	349	335	361	381	397	377	406	429	447	417	448	474	494	
		Lo PR	108	115	126	134	114	122	133	141	119	126	138	147	125	133	145	154	131	139	152	162	135	144	157	167	

IDB: Entering Indoor Dry Bulb Temperature
 High and low pressures are measured at the liquid and suction service valves.
 Shaded area reflects ACCA (TVA) conditions
 Amps = outdoor unit amps (comp.+fan)
 kW = Total system power

GSX160361F* / CA*F4860*6D* +TXV (CONT.)

IDB	AIRFLOW	OUTDOOR AMBIENT TEMPERATURE												ENTERING INDOOR WET BULB TEMPERATURE												
		65°F				75°F				85°F				95°F				105°F				115°F				
		59	63	67	71	59	63	67	71	59	63	67	71	59	63	67	71	59	63	67	71	59	63	67	71	
80	1050	MBh	31.6	32.3	34.5	36.9	30.9	31.6	33.7	36.1	30.2	30.8	32.9	35.2	29.4	30.1	32.1	34.3	28.0	28.6	30.5	32.6	25.9	26.5	28.3	30.2
		S/T	0.89	0.83	0.68	0.51	0.92	0.86	0.70	0.52	0.94	0.88	0.72	0.54	0.97	0.91	0.74	0.55	1.01	0.95	0.77	0.58	1.02	0.95	0.78	0.58
	ΔT	25	24	20	16	25	24	21	17	25	24	21	17	25	24	21	17	25	24	21	16	23	22	19	15	
	KW	2.26	2.31	2.38	2.45	2.42	2.47	2.55	2.62	2.57	2.62	2.70	2.78	2.69	2.75	2.83	2.92	2.80	2.86	2.94	3.04	2.89	2.95	3.04	3.14	
	Amps	8.2	8.4	8.7	9.0	8.9	9.1	9.4	9.8	9.7	9.9	10.2	10.6	10.3	10.6	11.0	11.4	11.0	11.3	11.7	12.1	11.7	12.0	12.4	12.8	
	Hi PR	224	241	254	265	251	270	285	298	286	307	324	338	325	350	370	385	366	394	416	434	404	435	459	479	
	Lo PR	105	112	122	130	111	118	129	137	115	123	134	143	121	129	141	150	127	135	147	157	131	140	152	162	
	MBh	34.3	35.0	37.4	40.0	33.5	34.2	36.5	39.1	32.7	33.4	35.7	38.1	31.9	32.6	34.8	37.2	30.3	30.9	33.1	35.3	28.1	28.7	30.6	32.7	
	S/T	0.92	0.86	0.70	0.52	0.95	0.89	0.73	0.54	0.98	0.92	0.75	0.56	1.00	0.95	0.77	0.58	1.00	0.98	0.80	0.60	1.00	0.99	0.81	0.60	
	ΔT	24	23	20	16	24	23	20	16	24	23	20	16	24	23	20	16	24	23	20	16	21	22	19	15	
KW	2.32	2.36	2.43	2.50	2.48	2.53	2.61	2.69	2.63	2.68	2.76	2.85	2.76	2.81	2.90	2.99	2.87	2.93	3.02	3.11	2.96	3.02	3.12	3.22		
Amps	8.5	8.7	8.9	9.3	9.1	9.4	9.7	10.0	9.9	10.2	10.5	10.9	10.6	10.9	11.3	11.7	11.3	11.6	12.0	12.5	12.0	12.3	12.7	13.2		
Hi PR	231	248	262	273	259	279	294	307	294	317	335	349	335	361	381	397	377	406	429	447	417	448	474	494		
Lo PR	108	115	126	134	114	122	133	141	119	126	138	147	125	133	145	154	131	139	152	162	135	144	157	167		
MBh	35.3	36.1	38.5	41.2	34.5	35.2	37.6	40.2	33.7	34.4	36.7	39.3	32.8	33.5	35.8	38.3	31.2	31.9	34.1	36.4	28.9	29.5	31.5	33.7		
S/T	0.96	0.90	0.74	0.55	1.00	0.94	0.76	0.57	1.00	0.96	0.78	0.58	1.00	1.00	0.81	0.60	1.00	1.00	0.84	0.63	1.00	1.00	0.84	0.63		
ΔT	23	22	19	15	23	22	20	16	23	23	20	16	22	23	20	16	22	23	20	16	21	22	19	15		
KW	2.33	2.38	2.45	2.52	2.50	2.55	2.63	2.71	2.65	2.70	2.78	2.87	2.78	2.84	2.92	3.02	2.89	2.95	3.04	3.14	2.98	3.05	3.14	3.24		
Amps	8.5	8.7	9.0	9.4	9.2	9.5	9.8	10.1	10.0	10.3	10.6	11.0	10.7	11.0	11.4	11.8	11.4	11.7	12.1	12.6	12.1	12.4	12.8	13.3		
Hi PR	233	251	265	276	261	281	297	310	297	320	338	352	339	364	385	401	381	410	433	452	421	453	478	499		
Lo PR	109	116	127	135	116	123	134	143	120	128	139	148	126	134	146	156	132	141	153	163	137	145	159	169		

85	1050	MBh	32.2	32.8	34.4	36.7	31.4	32.0	33.6	35.8	30.7	31.3	32.8	34.9	29.9	30.5	32.0	34.1	28.4	29.0	30.4	32.4	26.3	26.9	28.1	30.0
		S/T	0.93	0.90	0.81	0.66	0.96	0.93	0.84	0.68	0.99	0.95	0.86	0.70	1.00	0.98	0.89	0.72	1.00	1.00	0.92	0.75	1.00	1.00	0.93	0.75
	ΔT	26	26	24	21	27	26	25	21	27	26	25	21	26	26	25	21	26	25	25	21	23	24	23	20	
	KW	2.28	2.33	2.39	2.46	2.44	2.49	2.57	2.64	2.59	2.64	2.72	2.80	2.71	2.77	2.85	2.94	2.82	2.88	2.97	3.06	2.91	2.97	3.07	3.16	
	Amps	8.3	8.5	8.8	9.1	9.0	9.2	9.5	9.9	9.8	10.0	10.3	10.7	10.4	10.7	11.1	11.5	11.1	11.4	11.8	12.2	11.8	12.1	12.5	13.0	
	Hi PR	226	243	257	268	254	273	288	301	288	310	328	342	328	353	373	389	370	398	420	438	408	439	464	484	
	Lo PR	106	113	123	131	112	119	130	139	116	124	135	144	122	130	142	151	128	136	149	159	133	141	154	164	
	MBh	34.9	35.5	37.2	39.7	34.1	34.7	36.4	38.8	33.2	33.9	35.5	37.9	32.4	33.1	34.6	36.9	30.8	31.4	32.9	35.1	28.5	29.1	30.5	32.5	
	S/T	0.96	0.93	0.84	0.68	1.00	0.96	0.87	0.71	1.00	0.99	0.89	0.72	1.00	1.00	0.92	0.75	1.00	1.00	0.96	0.78	1.00	1.00	0.96	0.78	
	ΔT	26	25	24	21	26	26	24	21	25	26	24	21	25	25	24	21	24	24	24	21	22	22	22	19	
KW	2.33	2.38	2.45	2.52	2.50	2.55	2.63	2.71	2.65	2.70	2.78	2.87	2.78	2.84	2.92	3.02	2.89	2.95	3.04	3.14	2.98	3.05	3.14	3.24		
Amps	8.5	8.7	9.0	9.4	9.2	9.5	9.8	10.1	10.0	10.3	10.6	11.0	10.7	11.0	11.4	11.8	11.4	11.7	12.1	12.6	12.1	12.4	12.8	13.3		
Hi PR	233	251	265	276	261	281	297	310	297	320	338	352	339	364	385	401	381	410	433	452	421	453	478	499		
Lo PR	109	116	127	135	116	123	134	143	120	128	139	148	126	134	146	156	132	141	153	163	137	145	159	169		
MBh	35.9	36.6	38.3	40.9	35.1	35.8	37.4	40.0	34.2	34.9	36.6	39.0	33.4	34.1	35.7	38.0	31.7	32.4	33.9	36.1	29.4	30.0	31.4	33.5		
S/T	1.00	0.98	0.88	0.71	1.00	1.00	0.91	0.74	1.00	1.00	0.94	0.76	1.00	1.00	0.97	0.78	1.00	1.00	0.96	0.81	1.00	1.00	1.00	0.82		
ΔT	24	24	23	20	24	24	23	20	23	24	23	20	23	23	23	20	22	22	23	20	20	20	20	21	19	
KW	2.35	2.40	2.47	2.54	2.52	2.57	2.65	2.73	2.67	2.72	2.81	2.89	2.80	2.86	2.95	3.04	2.91	2.97	3.07	3.16	3.01	3.07	3.17	3.27		
Amps	8.6	8.8	9.1	9.5	9.3	9.5	9.9	10.2	10.1	10.4	10.7	11.1	10.8	11.1	11.5	11.9	11.5	11.8	12.2	12.7	12.2	12.5	13.0	13.5		
Hi PR	235	253	267	279	264	284	300	313	300	323	341	356	342	368	389	405	385	414	437	456	425	457	483	504		
Lo PR	110	117	128	137	117	124	135	144	121	129	141	150	127	135	148	158	133	142	155	165	138	147	160	171		

IDB: Entering Indoor Dry Bulb Temperature
 High and low pressures are measured at the liquid and suction service valves.
 Shaded area reflects AHRI conditions
 Amps = outdoor unit amps (comp.+fan)
 kW = Total system power

GSX160421F* / CA*F4860*6D*+TXV

IDB	AIRFLOW	OUTDOOR AMBIENT TEMPERATURE												ENTERING INDOOR WET BULB TEMPERATURE											
		65°F				75°F				85°F				95°F				105°F				115°F			
		59	63	67	71	59	63	67	71	59	63	67	71	59	63	67	71	59	63	67	71	59	63	67	71
70	MBh	36.9	38.2	41.9	-	36.0	37.3	40.9	-	35.2	36.4	39.9	-	34.3	35.6	39.0	-	32.6	33.8	37.0	-	30.2	31.3	34.3	-
	S/T	0.70	0.59	0.41	-	0.73	0.61	0.42	-	0.75	0.62	0.43	-	0.77	0.64	0.45	-	0.80	0.67	0.46	-	0.81	0.67	0.47	-
	ΔT	19	17	13	-	20	17	13	-	20	17	13	-	20	17	13	-	20	17	13	-	18	16	12	-
	kW	2.70	2.76	2.83	-	2.89	2.95	3.03	-	3.06	3.12	3.21	-	3.20	3.27	3.37	-	3.33	3.39	3.50	-	3.43	3.50	3.61	-
	Amps	9.9	10.1	10.4	-	10.7	10.9	11.3	-	11.6	11.8	12.2	-	12.3	12.6	13.1	-	13.1	13.4	13.9	-	13.9	14.2	14.7	-
	Hi PR	220	237	250	-	247	265	280	-	281	302	319	-	320	344	363	-	359	387	409	-	397	427	451	-
	Lo PR	102	109	119	-	108	115	125	-	112	119	130	-	118	125	137	-	124	131	143	-	128	136	148	-
	MBh	40.0	41.4	45.4	-	39.0	40.5	44.3	-	38.1	39.5	43.3	-	37.2	38.5	42.2	-	35.3	36.6	40.1	-	32.7	33.9	37.1	-
	S/T	0.73	0.61	0.42	-	0.75	0.63	0.44	-	0.77	0.65	0.45	-	0.80	0.67	0.46	-	0.83	0.69	0.48	-	0.84	0.70	0.48	-
	ΔT	19	17	13	-	19	17	13	-	19	17	13	-	19	17	13	-	19	17	13	-	18	16	12	-
	kW	2.76	2.82	2.90	-	2.96	3.02	3.10	-	3.13	3.19	3.29	-	3.28	3.34	3.45	-	3.40	3.48	3.58	-	3.51	3.59	3.70	-
	Amps	10.1	10.4	10.7	-	10.9	11.2	11.6	-	11.9	12.2	12.6	-	12.7	13.0	13.4	-	13.5	13.8	14.3	-	14.3	14.6	15.1	-
Hi PR	227	244	258	-	254	274	289	-	289	311	329	-	329	355	374	-	371	399	421	-	409	441	465	-	
Lo PR	105	112	122	-	111	118	129	-	116	123	134	-	122	129	141	-	127	135	148	-	132	140	153	-	
MBh	41.2	42.7	46.7	-	40.2	41.7	45.7	-	39.2	40.7	44.6	-	38.3	39.7	43.5	-	36.4	37.7	41.3	-	33.7	34.9	38.3	-	
S/T	0.76	0.64	0.44	-	0.79	0.66	0.46	-	0.81	0.68	0.47	-	0.84	0.70	0.48	-	0.87	0.73	0.50	-	0.88	0.73	0.51	-	
ΔT	18	16	12	-	19	16	12	-	19	16	12	-	19	16	12	-	18	16	12	-	17	15	11	-	
kW	2.78	2.84	2.92	-	2.98	3.04	3.13	-	3.15	3.21	3.31	-	3.30	3.37	3.47	-	3.43	3.50	3.61	-	3.54	3.62	3.73	-	
Amps	10.2	10.5	10.8	-	11.0	11.3	11.7	-	12.0	12.3	12.7	-	12.8	13.1	13.6	-	13.6	14.0	14.4	-	14.4	14.8	15.3	-	
Hi PR	229	246	260	-	257	276	292	-	292	314	332	-	333	358	378	-	374	403	425	-	414	445	470	-	
Lo PR	106	113	124	-	112	120	131	-	117	124	136	-	123	131	143	-	129	137	149	-	133	142	155	-	

75	MBh	37.5	38.6	41.8	44.9	36.6	37.7	40.8	43.8	35.8	36.8	39.9	42.8	34.9	35.9	38.9	41.7	33.1	34.1	36.9	39.6	30.7	31.6	34.2	36.7
	S/T	0.80	0.71	0.54	0.35	0.83	0.74	0.56	0.36	0.85	0.76	0.57	0.37	0.88	0.78	0.59	0.38	0.91	0.81	0.62	0.40	0.92	0.82	0.62	0.40
	ΔT	22	21	17	12	23	21	17	12	23	21	17	12	23	21	17	12	23	21	17	12	21	19	16	11
	kW	2.72	2.78	2.86	2.94	2.91	2.97	3.06	3.15	3.08	3.14	3.23	3.33	3.23	3.29	3.39	3.50	3.35	3.42	3.53	3.64	3.46	3.53	3.64	3.76
	Amps	10.0	10.2	10.5	10.9	10.8	11.0	11.4	11.8	11.7	11.9	12.3	12.8	12.5	12.8	13.2	13.7	13.3	13.6	14.0	14.6	14.0	14.4	14.9	15.4
	Hi PR	222	239	252	263	249	268	283	295	283	305	322	336	323	347	367	383	363	391	413	430	401	432	456	476
	Lo PR	103	110	120	128	109	116	127	135	113	121	132	140	119	127	138	147	125	133	145	154	129	137	150	160
	MBh	40.6	41.8	45.3	48.6	39.7	40.9	44.2	47.5	38.7	39.9	43.2	46.3	37.8	38.9	42.1	45.2	35.9	37.0	40.0	43.0	33.3	34.2	37.1	39.8
	S/T	0.83	0.74	0.56	0.36	0.86	0.77	0.58	0.37	0.88	0.79	0.60	0.38	0.91	0.81	0.61	0.40	0.94	0.84	0.64	0.41	0.95	0.85	0.64	0.41
	ΔT	22	20	17	12	22	21	17	12	22	21	17	12	23	21	17	12	22	20	17	12	21	19	16	11
	kW	2.78	2.84	2.92	3.01	2.98	3.04	3.13	3.22	3.15	3.21	3.31	3.41	3.30	3.37	3.47	3.58	3.43	3.50	3.61	3.72	3.54	3.62	3.73	3.85
	Amps	10.2	10.5	10.8	11.2	11.0	11.3	11.7	12.1	12.0	12.3	12.7	13.2	12.8	13.1	13.6	14.1	13.6	14.0	14.4	15.0	14.4	14.8	15.3	15.9
Hi PR	229	246	260	271	257	276	292	305	292	314	332	346	333	358	378	394	374	403	425	444	414	445	470	490	
Lo PR	106	113	124	132	112	120	131	139	117	124	136	145	123	131	143	152	129	137	149	159	133	142	155	165	
MBh	41.9	43.1	46.6	50.1	40.9	42.1	45.6	48.9	39.9	41.1	44.5	47.7	38.9	40.1	43.4	46.6	37.0	38.1	41.2	44.2	34.3	35.3	38.2	41.0	
S/T	0.87	0.78	0.59	0.38	0.90	0.80	0.61	0.39	0.92	0.82	0.62	0.40	0.95	0.85	0.64	0.41	0.99	0.88	0.67	0.43	1.00	0.89	0.67	0.43	
ΔT	21	20	16	11	21	20	16	11	21	20	16	11	22	20	16	11	21	20	16	11	20	18	15	10	
kW	2.80	2.86	2.94	3.03	3.00	3.06	3.15	3.25	3.17	3.24	3.34	3.44	3.33	3.40	3.50	3.61	3.46	3.53	3.64	3.75	3.57	3.65	3.76	3.88	
Amps	10.3	10.6	10.9	11.3	11.1	11.4	11.8	12.2	12.1	12.4	12.8	13.3	12.9	13.2	13.7	14.2	13.8	14.1	14.6	15.1	14.6	14.9	15.4	16.0	
Hi PR	231	249	263	274	259	279	295	308	295	318	335	350	336	362	382	398	378	407	430	448	418	450	475	495	
Lo PR	107	114	125	133	114	121	132	140	118	126	137	146	124	132	144	153	130	138	151	161	134	143	156	166	

IDB: Entering Indoor Dry Bulb Temperature
 High and low pressures are measured at the liquid and suction service valves.
 Shaded area reflects ACCA (TVA) conditions
 kW = Total system power
 Amps = outdoor unit amps (comp.+fan)

GSX160421F* / CA*F4860*6D* +TXV (CONT.)

IDB	AIRFLOW	OUTDOOR AMBIENT TEMPERATURE												ENTERING INDOOR WET BULB TEMPERATURE											
		65°F				75°F				85°F				95°F				105°F				115°F			
		59	63	67	71	59	63	67	71	59	63	67	71	59	63	67	71	59	63	67	71	59	63	67	71
80	MBh	38.2	39.0	41.7	44.5	37.3	38.1	40.7	43.5	36.4	37.2	39.7	42.5	35.5	36.3	38.8	41.4	33.7	34.5	36.8	39.4	31.2	31.9	34.1	36.5
	S/T	0.88	0.82	0.67	0.50	0.91	0.85	0.69	0.52	0.93	0.87	0.71	0.53	0.96	0.90	0.73	0.55	1.00	0.93	0.76	0.57	1.00	0.94	0.77	0.57
	ΔT	25	24	21	17	25	24	21	17	25	24	21	17	26	25	21	17	25	24	21	17	24	23	20	16
	KW	2.74	2.80	2.88	2.96	2.93	2.99	3.08	3.17	3.10	3.17	3.26	3.36	3.25	3.32	3.42	3.52	3.38	3.45	3.55	3.66	3.49	3.56	3.67	3.79
	Amps	10.0	10.3	10.6	11.0	10.8	11.1	11.5	11.9	11.8	12.1	12.5	12.9	12.6	12.9	13.3	13.8	13.4	13.7	14.2	14.7	14.2	14.5	15.0	15.6
	Hi/PR	224	241	255	266	252	271	286	298	286	308	325	339	326	351	371	386	367	395	417	435	405	436	461	480
	Lo/PR	104	111	121	129	110	117	128	136	114	122	133	142	120	128	140	149	126	134	146	156	130	139	151	161
	MBh	41.4	42.3	45.2	48.3	40.4	41.3	44.1	47.1	39.4	40.3	43.1	46.0	38.5	39.3	42.0	44.9	36.5	37.3	39.9	42.7	33.9	34.6	37.0	39.5
	S/T	0.91	0.85	0.69	0.52	0.94	0.88	0.72	0.54	0.96	0.90	0.74	0.55	1.00	0.93	0.76	0.57	1.00	0.97	0.79	0.59	1.00	0.98	0.80	0.59
	ΔT	25	24	21	16	25	24	21	17	25	24	21	17	25	24	21	17	24	24	21	17	22	22	19	15
KW	2.80	2.86	2.94	3.03	3.00	3.06	3.15	3.25	3.18	3.24	3.34	3.44	3.33	3.40	3.50	3.61	3.46	3.53	3.64	3.75	3.57	3.65	3.76	3.88	
Amps	10.3	10.6	10.9	11.3	11.1	11.4	11.8	12.2	12.1	12.4	12.8	13.3	12.9	13.2	13.7	14.2	13.8	14.1	14.6	15.1	14.6	14.9	15.4	16.0	
Hi/PR	231	249	263	274	260	279	295	308	295	318	335	350	336	362	382	398	378	407	430	448	418	450	475	495	
Lo/PR	107	114	125	133	114	121	132	140	118	126	137	146	124	132	144	153	130	138	151	161	134	143	156	166	
MBh	42.6	43.5	46.5	49.7	41.6	42.5	45.4	48.6	40.6	41.5	44.3	47.4	39.6	40.5	43.3	46.2	37.6	38.5	41.1	43.9	34.9	35.6	38.1	40.7	
S/T	0.95	0.89	0.73	0.54	1.00	0.93	0.75	0.56	1.00	0.95	0.77	0.58	1.00	1.00	0.80	0.60	1.00	1.00	0.83	0.62	1.00	1.00	0.83	0.62	
ΔT	24	23	20	16	24	23	20	16	24	23	20	16	23	24	20	16	22	22	20	16	20	21	19	15	
KW	2.82	2.88	2.96	3.05	3.02	3.08	3.17	3.27	3.20	3.26	3.36	3.47	3.35	3.42	3.53	3.64	3.49	3.56	3.67	3.78	3.60	3.67	3.79	3.91	
Amps	10.4	10.7	11.0	11.4	11.2	11.5	11.9	12.3	12.2	12.5	12.9	13.4	13.0	13.4	13.8	14.3	13.9	14.2	14.7	15.2	14.7	15.1	15.6	16.2	
Hi/PR	234	251	265	277	262	282	298	311	298	321	339	353	340	365	386	402	382	411	434	453	422	454	480	500	
Lo/PR	109	116	126	134	115	122	133	142	119	127	138	147	125	133	145	155	131	140	152	162	136	144	158	168	
85	MBh	38.8	39.6	41.5	44.2	37.9	38.7	40.5	43.2	37.0	37.7	39.5	42.2	36.1	36.8	38.6	41.2	34.3	35.0	36.6	39.1	31.8	32.4	33.9	36.2
	S/T	0.92	0.89	0.80	0.65	0.95	0.92	0.83	0.67	0.98	0.94	0.85	0.69	1.00	0.97	0.88	0.71	1.00	1.00	0.91	0.74	1.00	1.00	0.92	0.74
	ΔT	27	26	25	22	27	27	25	22	27	27	25	22	27	27	25	22	26	26	25	22	24	24	23	20
	KW	2.76	2.82	2.90	2.98	2.96	3.01	3.10	3.20	3.13	3.19	3.28	3.38	3.28	3.34	3.44	3.55	3.40	3.47	3.58	3.69	3.51	3.59	3.70	3.82
	Amps	10.1	10.4	10.7	11.1	10.9	11.2	11.6	12.0	11.9	12.2	12.6	13.0	12.7	13.0	13.4	13.9	13.5	13.8	14.3	14.8	14.3	14.6	15.1	15.7
	Hi/PR	227	244	257	269	254	274	289	301	289	311	329	343	329	354	374	390	371	399	421	439	409	441	465	485
	Lo/PR	105	112	122	130	111	118	129	138	116	123	134	143	121	129	141	150	127	135	148	157	132	140	153	163
	MBh	42.1	42.9	44.9	47.9	41.1	41.9	43.9	46.8	40.1	40.9	42.8	45.7	39.1	39.9	41.8	44.6	37.2	37.9	39.7	42.4	34.4	35.1	36.8	39.2
	S/T	0.95	0.92	0.83	0.67	0.99	0.95	0.86	0.70	1.00	0.98	0.88	0.71	1.00	1.00	0.91	0.74	1.00	1.00	0.94	0.77	1.00	1.00	0.95	0.77
	ΔT	26	26	24	21	27	26	25	21	26	26	25	21	26	26	25	22	24	25	25	21	23	23	23	20
KW	2.82	2.88	2.96	3.05	3.02	3.08	3.17	3.27	3.20	3.26	3.36	3.47	3.35	3.42	3.53	3.64	3.49	3.56	3.67	3.78	3.60	3.67	3.79	3.91	
Amps	10.4	10.7	11.0	11.4	11.2	11.5	11.9	12.3	12.2	12.5	12.9	13.4	13.0	13.4	13.8	14.3	13.9	14.2	14.7	15.2	14.7	15.1	15.6	16.2	
Hi/PR	234	251	265	277	262	282	298	311	298	321	339	353	340	365	386	402	382	411	434	453	422	454	480	500	
Lo/PR	109	116	126	134	115	122	133	142	119	127	138	147	125	133	145	155	131	140	152	162	136	144	158	168	
MBh	43.3	44.2	46.3	49.4	42.3	43.2	45.2	48.2	41.3	42.1	44.1	47.1	40.3	41.1	43.0	45.9	38.3	39.0	40.9	43.6	35.5	36.2	37.9	40.4	
S/T	1.00	0.96	0.87	0.70	1.00	1.00	0.90	0.73	1.00	1.00	0.92	0.75	1.00	1.00	0.95	0.77	1.00	1.00	0.99	0.80	1.00	1.00	1.00	0.81	
ΔT	25	25	23	20	25	25	24	21	24	25	24	21	24	24	24	21	22	23	24	21	21	21	22	19	
KW	2.85	2.90	2.98	3.07	3.05	3.11	3.20	3.30	3.22	3.29	3.39	3.49	3.38	3.45	3.55	3.67	3.51	3.59	3.70	3.81	3.63	3.70	3.82	3.94	
Amps	10.5	10.8	11.1	11.5	11.3	11.6	12.0	12.4	12.3	12.6	13.0	13.5	13.2	13.5	13.9	14.5	14.0	14.3	14.8	15.4	14.8	15.2	15.7	16.3	
Hi/PR	236	254	268	280	265	285	301	314	301	324	342	357	343	369	390	406	386	415	438	457	426	459	484	505	
Lo/PR	110	117	127	136	116	123	135	143	120	128	140	149	126	135	147	156	133	141	154	164	137	146	159	170	

Amps = outdoor unit amps (comp.+fan)
kW = Total system power

Shaded area reflects AHRI conditions

IDB: Entering Indoor Dry Bulb Temperature
High and low pressures are measured at the liquid and suction service valves.

GSX160481F* / CA*F4961*6D* +TXV

IDB		OUTDOOR AMBIENT TEMPERATURE												ENTERING INDOOR WET BULB TEMPERATURE											
		65°F				75°F				85°F				95°F				105°F				115°F			
		59	63	67	71	59	63	67	71	59	63	67	71	59	63	67	71	59	63	67	71	59	63	67	71
70	MBh	42.6	44.2	48.4	-	41.6	43.2	47.3	-	40.7	42.1	46.2	-	39.7	41.1	45.0	-	37.7	39.1	42.8	-	34.9	36.2	39.6	-
	S/T	0.70	0.59	0.41	-	0.73	0.61	0.42	-	0.75	0.62	0.43	-	0.77	0.64	0.45	-	0.80	0.67	0.46	-	0.81	0.67	0.47	-
	ΔT	20	17	13	-	20	17	13	-	20	17	13	-	20	17	13	-	20	17	13	-	18	16	12	-
	kW	2.95	3.01	3.09	-	3.16	3.22	3.32	-	3.34	3.41	3.51	-	3.50	3.57	3.68	-	3.64	3.71	3.83	-	3.76	3.84	3.95	-
	Amps	10.8	11.0	11.4	-	11.7	11.9	12.3	-	12.7	13.0	13.4	-	13.5	13.9	14.3	-	14.4	14.7	15.2	-	15.3	15.6	16.2	-
	Hi PR	221	238	251	-	248	267	282	-	282	304	321	-	321	346	365	-	361	389	411	-	399	430	454	-
	Lo PR	105	112	122	-	111	118	129	-	115	123	134	-	121	129	141	-	127	135	147	-	131	140	152	-
	MBh	43.3	44.9	49.2	-	42.3	43.8	48.0	-	41.3	42.8	46.9	-	40.3	41.7	45.7	-	38.3	39.6	43.4	-	35.4	36.7	40.2	-
	S/T	0.73	0.61	0.42	-	0.75	0.63	0.44	-	0.77	0.65	0.45	-	0.80	0.67	0.46	-	0.83	0.69	0.48	-	0.84	0.70	0.48	-
	ΔT	19	17	13	-	20	17	13	-	20	17	13	-	20	17	13	-	19	17	13	-	18	16	12	-
kW	2.99	3.05	3.13	-	3.20	3.26	3.36	-	3.38	3.45	3.56	-	3.55	3.62	3.73	-	3.69	3.76	3.88	-	3.81	3.89	4.01	-	
Amps	11.0	11.2	11.6	-	11.8	12.1	12.5	-	12.9	13.2	13.6	-	13.7	14.1	14.5	-	14.6	15.0	15.5	-	15.5	15.9	16.4	-	
Hi PR	225	242	256	-	252	272	287	-	287	309	326	-	327	352	371	-	368	396	418	-	406	437	462	-	
Lo PR	107	114	124	-	113	120	131	-	117	125	136	-	123	131	143	-	129	137	150	-	134	142	155	-	
MBh	44.8	46.4	50.9	-	43.8	45.4	49.7	-	42.7	44.3	48.5	-	41.7	43.2	47.3	-	39.6	41.0	45.0	-	36.7	38.0	41.6	-	
S/T	0.77	0.65	0.45	-	0.80	0.67	0.46	-	0.82	0.69	0.48	-	0.85	0.71	0.49	-	0.88	0.74	0.51	-	0.89	0.74	0.51	-	
ΔT	18	15	12	-	18	16	12	-	18	16	12	-	18	16	12	-	18	15	12	-	17	14	11	-	
kW	3.03	3.09	3.18	-	3.25	3.31	3.41	-	3.44	3.51	3.61	-	3.60	3.68	3.79	-	3.75	3.82	3.94	-	3.87	3.95	4.07	-	
Amps	11.2	11.4	11.8	-	12.1	12.3	12.8	-	13.1	13.4	13.9	-	14.0	14.3	14.8	-	14.9	15.3	15.8	-	15.8	16.2	16.7	-	
Hi PR	229	247	261	-	257	277	292	-	293	315	333	-	333	359	379	-	375	404	426	-	414	446	471	-	
Lo PR	109	116	127	-	115	122	134	-	120	127	139	-	126	134	146	-	132	140	153	-	136	145	158	-	

75	MBh	43.4	44.6	48.3	51.9	42.4	43.6	47.2	50.7	41.3	42.6	46.1	49.5	40.3	41.5	45.6	49.0	38.3	39.5	42.7	45.8	35.5	36.5	39.6	42.5
	S/T	0.80	0.71	0.54	0.35	0.83	0.74	0.56	0.36	0.85	0.76	0.57	0.37	0.88	0.78	0.59	0.38	0.91	0.81	0.62	0.40	0.92	0.82	0.62	0.40
	ΔT	23	21	17	12	23	21	17	12	23	21	17	12	23	21	17	12	23	21	17	12	21	20	16	11
	kW	2.97	3.03	3.12	3.21	3.18	3.25	3.34	3.44	3.37	3.43	3.54	3.65	3.53	3.60	3.71	3.83	3.67	3.74	3.86	3.98	3.79	3.87	3.99	4.11
	Amps	10.9	11.2	11.5	11.9	11.8	12.0	12.4	12.9	12.8	13.1	13.5	14.0	13.7	14.0	14.5	15.0	14.5	14.9	15.4	16.0	15.4	15.8	16.3	16.9
	Hi PR	223	240	254	265	251	270	285	297	285	307	324	338	325	349	369	385	365	393	415	433	403	434	458	478
	Lo PR	106	113	123	131	112	119	130	139	116	124	135	144	122	130	142	151	128	136	149	159	133	141	154	164
	MBh	44.0	45.3	49.1	52.7	43.0	44.3	47.9	51.4	42.0	43.2	46.8	50.2	41.0	42.2	45.6	49.0	38.9	40.1	43.4	46.5	36.0	37.1	40.2	43.1
	S/T	0.83	0.74	0.56	0.36	0.86	0.77	0.58	0.37	0.88	0.79	0.60	0.38	0.91	0.81	0.61	0.40	0.94	0.84	0.64	0.41	0.95	0.85	0.64	0.41
	ΔT	22	21	17	12	23	21	17	12	23	21	17	12	23	21	17	12	22	21	17	12	21	19	16	11
kW	3.01	3.07	3.16	3.25	3.22	3.29	3.38	3.49	3.41	3.48	3.59	3.70	3.58	3.65	3.76	3.88	3.72	3.79	3.91	4.04	3.84	3.92	4.04	4.17	
Amps	11.1	11.3	11.7	12.1	12.0	12.2	12.6	13.1	13.0	13.3	13.7	14.3	13.9	14.2	14.7	15.2	14.8	15.1	15.6	16.2	15.6	16.0	16.6	17.2	
Hi PR	227	244	258	269	255	274	290	302	290	312	329	344	330	355	375	391	371	400	422	440	410	442	466	486	
Lo PR	108	115	125	133	114	121	132	141	118	126	138	147	124	132	145	154	130	139	151	161	135	144	157	167	
MBh	45.6	46.9	50.8	54.5	44.5	45.8	49.6	53.2	43.4	44.7	48.4	52.0	42.4	43.6	47.2	50.7	40.3	41.5	44.9	48.2	37.3	38.4	41.6	44.6	
S/T	0.88	0.79	0.60	0.38	0.91	0.82	0.62	0.40	0.93	0.84	0.63	0.41	0.96	0.86	0.65	0.42	1.00	0.90	0.68	0.44	1.00	0.90	0.68	0.44	
ΔT	20	19	15	11	21	19	16	11	21	19	16	11	21	19	16	11	21	19	16	11	19	18	15	10	
kW	3.05	3.11	3.20	3.30	3.27	3.34	3.44	3.54	3.46	3.53	3.64	3.75	3.63	3.71	3.82	3.94	3.78	3.85	3.97	4.10	3.90	3.98	4.11	4.24	
Amps	11.3	11.5	11.9	12.3	12.2	12.5	12.9	13.4	13.2	13.5	14.0	14.5	14.1	14.5	15.0	15.5	15.0	15.4	15.9	16.5	15.9	16.3	16.9	17.5	
Hi PR	232	249	263	275	260	280	295	308	296	318	336	350	337	362	383	399	379	408	431	449	419	451	476	496	
Lo PR	110	117	128	136	116	124	135	144	121	129	140	149	127	135	147	157	133	142	155	165	138	146	160	170	

IDB: Entering Indoor Dry Bulb Temperature
 High and low pressures are measured at the liquid and suction service valves.
 Shaded area reflects ACCA (TVA) conditions
 Amps = outdoor unit amps (comp.+fan)
 kW = Total system power

GSX160481F* / CA*F4961*6D*+TXV (CONT.)

IDB	AIRFLOW	OUTDOOR AMBIENT TEMPERATURE												ENTERING INDOOR WET BULB TEMPERATURE											
		65°F				75°F				85°F				95°F				105°F				115°F			
		59	63	67	71	59	63	67	71	59	63	67	71	59	63	67	71	59	63	67	71	59	63	67	71
80	MBh	44.1	45.1	48.2	51.5	43.1	44.0	47.1	50.3	42.1	43.0	45.9	49.1	41.1	41.9	44.8	47.9	39.0	39.9	42.6	45.5	36.1	36.9	39.4	42.2
	S/T	0.88	0.82	0.67	0.50	0.91	0.85	0.69	0.52	0.93	0.87	0.71	0.53	0.96	0.90	0.73	0.55	1.00	0.93	0.76	0.57	1.00	0.94	0.77	0.57
	ΔT	25	24	21	17	26	25	21	17	26	25	21	17	26	25	22	17	26	24	21	17	24	23	20	16
	KW	2.99	3.05	3.14	3.23	3.21	3.27	3.37	3.47	3.39	3.46	3.57	3.68	3.56	3.63	3.74	3.86	3.70	3.77	3.89	4.01	3.82	3.90	4.02	4.15
	Amps	11.0	11.3	11.6	12.0	11.9	12.2	12.6	13.0	12.9	13.2	13.6	14.2	13.8	14.1	14.6	15.1	14.7	15.0	15.5	16.1	15.5	15.9	16.5	17.1
	Hi/PR	226	243	256	267	253	272	288	300	288	310	327	341	328	353	373	389	369	397	419	437	408	439	463	483
	Lo/PR	107	114	124	133	113	120	131	140	118	125	137	146	124	131	144	153	130	138	150	160	134	143	156	166
	MBh	44.8	45.8	48.9	52.3	43.8	44.7	47.8	51.1	42.7	43.7	46.6	49.9	41.7	42.6	45.5	48.6	39.6	40.5	43.2	46.2	36.7	37.5	40.0	42.8
	S/T	0.91	0.85	0.69	0.52	0.94	0.88	0.72	0.54	0.96	0.90	0.74	0.55	1.00	0.93	0.76	0.57	1.00	0.97	0.79	0.59	1.00	0.98	0.80	0.59
	ΔT	25	24	21	17	25	24	21	17	25	24	21	17	25	24	21	17	24	24	21	17	22	22	20	16
KW	3.03	3.09	3.18	3.28	3.25	3.31	3.41	3.51	3.44	3.51	3.61	3.73	3.60	3.68	3.79	3.91	3.75	3.82	3.94	4.07	3.87	3.95	4.07	4.20	
Amps	11.2	11.4	11.8	12.2	12.1	12.4	12.8	13.2	13.1	13.4	13.9	14.4	14.0	14.3	14.8	15.4	14.9	15.3	15.8	16.4	15.8	16.2	16.7	17.4	
Hi/PR	229	247	261	272	257	277	293	305	293	315	333	347	334	359	379	395	375	404	426	445	415	446	471	491	
Lo/PR	109	116	127	135	115	123	134	142	120	127	139	148	126	134	146	155	132	140	153	163	136	145	158	169	
MBh	46.4	47.4	50.6	54.1	45.3	46.3	49.4	52.9	44.2	45.2	48.3	51.6	43.1	44.1	47.1	50.3	41.0	41.9	44.7	47.8	38.0	38.8	41.4	44.3	
S/T	0.96	0.90	0.74	0.55	1.00	0.94	0.76	0.57	1.00	0.96	0.78	0.58	1.00	1.00	0.81	0.60	1.00	1.00	0.84	0.63	1.00	1.00	0.85	0.63	
ΔT	23	22	19	15	23	22	19	15	23	22	19	15	22	22	19	16	21	21	19	15	19	20	18	14	
KW	3.08	3.14	3.23	3.33	3.30	3.36	3.46	3.57	3.49	3.56	3.67	3.78	3.66	3.74	3.85	3.97	3.81	3.88	4.01	4.13	3.93	4.01	4.14	4.27	
Amps	11.4	11.6	12.0	12.5	12.3	12.6	13.0	13.5	13.3	13.7	14.1	14.7	14.3	14.6	15.1	15.7	15.2	15.5	16.1	16.7	16.1	16.5	17.0	17.7	
Hi/PR	234	252	266	277	263	283	298	311	299	321	339	354	340	366	387	403	383	412	435	454	423	455	481	501	
Lo/PR	111	118	129	138	117	125	136	145	122	130	142	151	128	136	149	159	134	143	156	166	139	148	161	172	
85	MBh	44.9	45.8	47.9	51.1	43.9	44.7	46.8	50.0	42.8	43.6	45.7	48.8	41.8	42.6	44.6	47.6	39.7	40.4	42.4	45.2	36.8	37.5	39.2	41.9
	S/T	0.92	0.89	0.80	0.65	0.95	0.92	0.83	0.67	0.98	0.94	0.85	0.69	1.00	0.97	0.88	0.71	1.00	1.00	0.91	0.74	1.00	1.00	0.92	0.74
	ΔT	27	27	25	22	27	27	25	22	27	27	25	22	27	27	26	22	26	27	25	22	24	25	24	20
	KW	3.02	3.08	3.16	3.26	3.23	3.29	3.39	3.50	3.42	3.49	3.59	3.70	3.58	3.66	3.77	3.89	3.73	3.80	3.92	4.05	3.85	3.93	4.05	4.18
	Amps	11.1	11.4	11.7	12.2	12.0	12.3	12.7	13.1	13.0	13.3	13.8	14.3	13.9	14.2	14.7	15.3	14.8	15.2	15.7	16.3	15.7	16.1	16.6	17.2
	Hi/PR	228	245	259	270	256	275	290	303	291	313	330	345	331	356	376	392	373	401	423	442	412	443	468	488
	Lo/PR	108	115	126	134	114	122	133	141	119	126	138	147	125	133	145	154	131	139	152	162	135	144	157	167
	MBh	45.6	46.5	48.7	51.9	44.5	45.4	47.5	50.7	43.5	44.3	46.4	49.5	42.4	43.2	45.3	48.3	40.3	41.1	43.0	45.9	37.3	38.0	39.8	42.5
	S/T	0.95	0.92	0.83	0.67	0.99	0.95	0.86	0.70	1.00	0.98	0.88	0.71	1.00	1.00	0.91	0.74	1.00	1.00	0.94	0.77	1.00	1.00	0.95	0.77
	ΔT	27	26	25	21	27	26	25	22	27	26	25	22	26	26	25	22	25	25	25	22	23	23	23	20
KW	3.05	3.11	3.21	3.30	3.27	3.34	3.44	3.54	3.46	3.53	3.64	3.75	3.63	3.71	3.82	3.94	3.78	3.85	3.97	4.10	3.90	3.98	4.11	4.24	
Amps	11.3	11.5	11.9	12.3	12.2	12.5	12.9	13.4	13.2	13.5	14.0	14.5	14.1	14.5	15.0	15.5	15.0	15.4	15.9	16.5	15.9	16.3	16.9	17.5	
Hi/PR	232	249	263	275	260	280	296	308	296	318	336	351	337	363	383	399	379	408	431	449	419	451	476	496	
Lo/PR	110	117	128	136	116	124	135	144	121	129	140	150	127	135	147	157	133	142	155	165	138	146	160	170	
MBh	47.2	48.1	50.4	53.7	46.1	47.0	49.2	52.5	45.0	45.9	48.0	51.2	43.9	44.7	46.9	50.0	41.7	42.5	44.5	47.5	38.6	39.4	41.2	44.0	
S/T	1.00	0.98	0.88	0.71	1.00	1.00	0.91	0.74	1.00	1.00	0.94	0.76	1.00	1.00	0.97	0.78	1.00	1.00	1.00	0.81	1.00	1.00	1.00	0.82	
ΔT	24	24	23	20	24	24	23	20	23	23	23	20	22	23	23	20	21	22	23	20	20	20	21	18	
KW	3.10	3.16	3.25	3.35	3.32	3.39	3.49	3.60	3.52	3.59	3.70	3.81	3.69	3.77	3.88	4.00	3.83	3.92	4.04	4.17	3.96	4.05	4.17	4.31	
Amps	11.5	11.7	12.1	12.6	12.4	12.7	13.1	13.6	13.5	13.8	14.2	14.8	14.4	14.7	15.2	15.8	15.3	15.7	16.2	16.8	16.2	16.6	17.2	17.9	
Hi/PR	236	254	269	280	265	285	301	314	302	325	343	358	344	370	390	407	387	416	439	458	427	460	485	506	
Lo/PR	112	119	130	139	119	126	138	147	123	131	143	152	130	138	150	160	136	144	158	168	140	149	163	174	

IDB: Entering Indoor Dry Bulb Temperature
 High and low pressures are measured at the liquid and suction service valves.
 Shaded area reflects AHRI conditions
 kW = Total system power
 Amps = outdoor unit amps (comp.+fan)

GSX160601F* / CA*F4961*6D* +TXV

IDB		OUTDOOR AMBIENT TEMPERATURE												ENTERING INDOOR WET BULB TEMPERATURE												
		65°F				75°F				85°F				95°F				105°F				115°F				
		59	63	67	71	59	63	67	71	59	63	67	71	59	63	67	71	59	63	67	71	59	63	67	71	
70	1750	MBh	51.9	53.8	58.9	-	50.7	52.5	57.6	-	49.5	51.3	56.2	-	48.3	50.0	54.8	-	45.9	47.5	52.1	-	42.5	44.0	48.2	-
		S/T	0.74	0.62	0.43	-	0.77	0.64	0.45	-	0.79	0.66	0.46	-	0.81	0.68	0.47	-	0.85	0.71	0.49	-	0.85	0.71	0.49	-
	ΔT	20	18	13	-	20	18	13	-	21	18	13	-	22	18	14	-	20	18	13	-	19	16	12	-	
	kW	3.55	3.62	3.73	-	3.80	3.88	3.99	-	4.03	4.11	4.23	-	4.22	4.31	4.44	-	4.39	4.48	4.62	-	4.53	4.63	4.77	-	
	Amps	13.2	13.5	14.0	-	14.3	14.6	15.1	-	15.5	15.9	16.4	-	16.6	17.0	17.5	-	17.6	18.0	18.6	-	18.6	19.1	19.7	-	
	Hi PR	217	233	246	-	243	262	276	-	276	297	314	-	315	339	358	-	354	381	403	-	391	421	445	-	
	Lo PR	103	109	119	-	109	115	126	-	113	120	131	-	118	126	138	-	124	132	144	-	128	137	149	-	
	MBh	51.4	53.2	58.3	-	50.2	52.0	57.0	-	49.0	50.8	55.6	-	47.8	49.5	54.3	-	45.4	47.1	51.6	-	42.1	43.6	47.8	-	
	S/T	0.73	0.61	0.42	-	0.75	0.63	0.44	-	0.77	0.65	0.45	-	0.80	0.67	0.46	-	0.83	0.69	0.48	-	0.84	0.70	0.48	-	
	ΔT	21	18	14	-	21	19	14	-	21	19	14	-	22	19	14	-	21	18	14	-	20	17	13	-	
kW	3.55	3.61	3.72	-	3.80	3.87	3.99	-	4.02	4.10	4.22	-	4.21	4.30	4.43	-	4.38	4.47	4.61	-	4.52	4.61	4.76	-		
Amps	13.2	13.5	13.9	-	14.2	14.6	15.1	-	15.5	15.8	16.3	-	16.5	16.9	17.5	-	17.6	18.0	18.6	-	18.6	19.0	19.7	-		
Hi PR	216	232	245	-	242	261	275	-	276	297	313	-	314	338	357	-	353	380	401	-	390	420	443	-		
Lo PR	102	109	119	-	108	115	126	-	112	120	131	-	118	126	137	-	124	132	144	-	128	136	149	-		
MBh	53.2	55.1	60.4	-	51.9	53.8	59.0	-	50.7	52.5	57.6	-	49.5	51.3	56.2	-	47.0	48.7	53.4	-	43.5	45.1	49.4	-		
S/T	0.77	0.65	0.45	-	0.80	0.67	0.46	-	0.82	0.69	0.48	-	0.85	0.71	0.49	-	0.88	0.74	0.51	-	0.89	0.74	0.51	-		
ΔT	17	15	11	-	17	15	11	-	17	15	11	-	17	15	11	-	17	15	11	-	16	14	10	-		
kW	3.60	3.67	3.77	-	3.85	3.93	4.05	-	4.08	4.16	4.29	-	4.28	4.36	4.50	-	4.44	4.54	4.68	-	4.59	4.69	4.83	-		
Amps	13.4	13.7	14.2	-	14.5	14.8	15.3	-	15.7	16.1	16.6	-	16.8	17.2	17.8	-	17.9	18.3	18.9	-	18.9	19.4	20.0	-		
Hi PR	220	237	250	-	247	266	281	-	281	303	319	-	320	345	364	-	360	388	409	-	398	428	452	-		
Lo PR	104	111	121	-	110	117	128	-	115	122	133	-	120	128	140	-	126	134	147	-	131	139	152	-		

75	1750	MBh	52.8	54.3	58.8	63.1	51.5	53.1	57.4	61.6	50.3	51.8	56.1	60.2	49.1	50.5	54.7	58.7	46.6	48.0	52.0	55.8	43.2	44.5	48.1	51.7
		S/T	0.84	0.75	0.57	0.37	0.87	0.78	0.59	0.38	0.90	0.80	0.61	0.39	0.93	0.83	0.63	0.40	0.96	0.86	0.65	0.42	0.97	0.87	0.66	0.42
	ΔT	23	22	18	12	24	22	18	12	24	22	18	12	24	22	18	12	24	22	18	12	22	20	17	11	
	kW	3.58	3.65	3.76	3.87	3.83	3.91	4.03	4.15	4.06	4.14	4.26	4.40	4.25	4.34	4.48	4.62	4.42	4.51	4.65	4.80	4.57	4.66	4.81	4.96	
	Amps	13.4	13.7	14.1	14.6	14.4	14.8	15.2	15.8	15.6	16.0	16.5	17.2	16.7	17.1	17.7	18.3	17.8	18.2	18.8	19.5	18.8	19.3	19.9	20.7	
	Hi PR	219	235	249	259	246	264	279	291	279	301	317	331	318	342	361	377	358	385	407	424	395	425	449	469	
	Lo PR	104	110	121	128	110	117	127	136	114	121	132	141	120	127	139	148	125	133	146	155	130	138	151	160	
	MBh	52.2	53.8	58.2	62.5	51.0	52.5	56.9	61.0	49.8	51.3	55.5	59.6	48.6	50.0	54.2	58.1	46.2	47.5	51.5	55.2	42.8	44.0	47.7	51.2	
	S/T	0.83	0.74	0.56	0.36	0.86	0.77	0.58	0.37	0.88	0.79	0.60	0.38	0.91	0.81	0.61	0.40	0.94	0.84	0.64	0.41	0.95	0.85	0.64	0.41	
	ΔT	24	23	18	13	25	23	19	13	25	23	19	13	25	23	19	13	25	23	19	13	23	21	17	12	
kW	3.57	3.64	3.75	3.86	3.82	3.90	4.02	4.14	4.05	4.13	4.25	4.39	4.24	4.33	4.46	4.60	4.41	4.50	4.64	4.79	4.56	4.65	4.80	4.95		
Amps	13.3	13.6	14.1	14.6	14.4	14.7	15.2	15.8	15.6	16.0	16.5	17.1	16.7	17.1	17.6	18.3	17.7	18.2	18.8	19.5	18.8	19.2	19.9	20.6		
Hi PR	218	235	248	259	245	263	278	290	278	300	316	330	317	341	360	376	357	384	405	423	394	424	448	467		
Lo PR	103	110	120	128	109	116	127	135	114	121	132	141	119	127	139	148	125	133	145	155	129	138	150	160		
MBh	54.1	55.7	60.3	64.7	52.8	54.4	58.9	63.2	51.6	53.1	57.5	61.7	50.3	51.8	56.1	60.2	47.8	49.2	53.3	57.2	44.3	45.6	49.3	52.9		
S/T	0.88	0.79	0.60	0.38	0.91	0.82	0.62	0.40	0.93	0.84	0.63	0.41	0.96	0.86	0.65	0.42	1.00	0.90	0.68	0.44	1.00	0.90	0.68	0.44		
ΔT	19	18	15	10	20	18	15	10	20	18	15	10	20	18	15	10	20	18	15	10	18	17	14	10		
kW	3.62	3.69	3.80	3.92	3.88	3.96	4.08	4.20	4.11	4.19	4.32	4.45	4.31	4.40	4.53	4.68	4.48	4.57	4.72	4.87	4.63	4.73	4.87	5.03		
Amps	13.6	13.9	14.3	14.8	14.6	15.0	15.5	16.0	15.9	16.3	16.8	17.4	17.0	17.4	17.9	18.6	18.0	18.5	19.1	19.8	19.1	19.6	20.2	21.0		
Hi PR	223	239	253	264	250	269	284	296	284	306	323	337	323	348	368	383	364	392	414	431	402	433	457	477		
Lo PR	106	112	123	131	111	119	129	138	116	123	135	143	122	129	141	151	128	136	148	158	132	140	153	163		

IDB: Entering Indoor Dry Bulb Temperature
 High and low pressures are measured at the liquid and suction service valves.
 Shaded area reflects ACCA (TVA) conditions
 Amps = outdoor unit amps (comp.+fan)
 kW = Total system power

GSX160601F* / CA*F4961*6D*+TXV (CONT.)

IDB	AIRFLOW	OUTDOOR AMBIENT TEMPERATURE												ENTERING INDOOR WET BULB TEMPERATURE											
		65°F				75°F				85°F				95°F				105°F				115°F			
		59	63	67	71	59	63	67	71	59	63	67	71	59	63	67	71	59	63	67	71	59	63	67	71
80	MBh	53.7	54.9	58.6	62.7	52.5	53.6	57.3	61.2	51.2	52.3	55.9	59.8	50.0	51.0	54.5	58.3	47.5	48.5	51.8	55.4	44.0	44.9	48.0	51.3
	S/T	0.93	0.87	0.71	0.53	0.96	0.90	0.73	0.55	0.98	0.92	0.75	0.56	1.00	0.95	0.78	0.58	1.00	0.99	0.80	0.60	1.00	1.00	0.81	0.61
	ΔT	26	25	22	17	26	25	22	18	26	26	22	18	26	26	22	18	25	25	22	17	23	24	20	16
	KW	3.61	3.68	3.78	3.90	3.86	3.94	4.06	4.18	4.09	4.17	4.30	4.43	4.29	4.38	4.51	4.65	4.46	4.55	4.69	4.84	4.60	4.70	4.85	5.00
	Amps	13.5	13.8	14.2	14.8	14.5	14.9	15.4	15.9	15.8	16.2	16.7	17.3	16.9	17.3	17.8	18.5	17.9	18.4	19.0	19.7	19.0	19.5	20.1	20.9
	Hi PR	221	238	251	262	248	267	282	294	282	304	321	334	321	346	365	381	361	389	411	428	399	430	454	473
	Lo PR	105	112	122	130	111	118	129	137	115	122	134	142	121	129	140	150	127	135	147	157	131	139	152	162
	MBh	53.2	54.3	58.1	62.1	51.9	53.1	56.7	60.6	50.7	51.8	55.4	59.2	49.5	50.5	54.0	57.7	47.0	48.0	51.3	54.8	43.5	44.5	47.5	50.8
	S/T	0.91	0.85	0.69	0.52	0.94	0.88	0.72	0.54	0.96	0.90	0.74	0.55	1.00	0.93	0.76	0.57	1.00	0.97	0.79	0.59	1.00	0.98	0.80	0.59
	ΔT	27	26	23	18	28	26	23	18	28	27	23	18	28	27	23	19	27	26	23	18	25	25	21	17
KW	3.60	3.67	3.77	3.89	3.85	3.93	4.05	4.17	4.08	4.16	4.29	4.42	4.28	4.37	4.50	4.64	4.45	4.54	4.68	4.83	4.59	4.69	4.84	4.99	
Amps	13.4	13.8	14.2	14.7	14.5	14.8	15.3	15.9	15.7	16.1	16.7	17.3	16.8	17.2	17.8	18.5	17.9	18.3	18.9	19.6	18.9	19.4	20.1	20.8	
Hi PR	220	237	250	261	247	266	281	293	281	303	320	333	320	345	364	380	360	388	410	427	398	428	452	472	
Lo PR	105	111	121	129	110	117	128	137	115	122	133	142	121	128	140	149	126	134	147	156	131	139	152	162	
MBh	55.0	56.2	60.1	64.2	53.8	54.9	58.7	62.7	52.5	53.6	57.3	61.2	51.2	52.3	55.9	59.7	48.6	49.7	53.1	56.8	45.1	46.0	49.2	52.6	
S/T	0.96	0.90	0.74	0.55	1.00	0.94	0.76	0.57	1.00	0.96	0.78	0.58	1.00	1.00	0.81	0.60	1.00	1.00	0.84	0.63	1.00	1.00	0.85	0.63	
ΔT	22	21	18	14	22	21	18	15	21	21	18	15	21	21	18	15	20	20	18	15	18	19	17	14	
KW	3.65	3.72	3.83	3.95	3.91	3.99	4.11	4.23	4.14	4.23	4.35	4.49	4.34	4.43	4.57	4.72	4.52	4.61	4.75	4.91	4.66	4.76	4.91	5.07	
Amps	13.7	14.0	14.4	15.0	14.8	15.1	15.6	16.2	16.0	16.4	17.0	17.6	17.1	17.5	18.1	18.8	18.2	18.7	19.3	20.0	19.3	19.8	20.4	21.2	
Hi PR	225	242	255	266	252	271	287	299	287	309	326	340	327	352	371	387	368	396	418	436	406	437	462	481	
Lo PR	107	113	124	132	113	120	131	139	117	125	136	145	123	131	143	152	129	137	150	159	133	142	155	165	
85	MBh	54.6	55.7	58.3	62.2	53.4	54.4	57.0	60.8	52.1	53.1	55.6	59.3	50.8	51.8	54.3	57.9	48.3	49.2	51.6	55.0	44.7	45.6	47.8	50.9
	S/T	0.97	0.94	0.85	0.69	1.00	0.97	0.88	0.71	1.00	1.00	0.90	0.73	1.00	1.00	0.93	0.75	1.00	1.00	0.96	0.78	1.00	1.00	0.97	0.79
	ΔT	28	27	26	22	28	28	26	23	27	28	26	23	27	27	26	23	25	26	26	23	23	24	24	21
	KW	3.63	3.70	3.81	3.93	3.89	3.97	4.09	4.21	4.12	4.20	4.33	4.47	4.32	4.41	4.55	4.69	4.49	4.59	4.73	4.88	4.64	4.74	4.89	5.04
	Amps	13.6	13.9	14.4	14.9	14.7	15.0	15.5	16.1	15.9	16.3	16.8	17.5	17.0	17.4	18.0	18.7	18.1	18.5	19.2	19.9	19.2	19.6	20.3	21.1
	Hi PR	223	240	254	265	251	270	285	297	285	307	324	338	324	349	369	385	365	393	415	433	403	434	458	478
	Lo PR	106	113	123	131	112	119	130	138	116	124	135	144	122	130	142	151	128	136	149	158	132	141	154	164
	MBh	54.1	55.1	57.8	61.6	52.8	53.9	56.4	60.2	51.6	52.6	55.1	58.8	50.3	51.3	53.7	57.3	47.8	48.7	51.0	54.5	44.3	45.1	47.3	50.4
	S/T	0.95	0.92	0.83	0.67	0.99	0.95	0.86	0.70	1.00	0.98	0.88	0.71	1.00	1.00	0.91	0.74	1.00	1.00	0.94	0.77	1.00	1.00	0.95	0.77
	ΔT	29	29	27	23	29	29	27	24	29	29	27	24	28	29	28	24	27	28	27	24	25	26	25	22
KW	3.62	3.70	3.80	3.92	3.88	3.96	4.08	4.20	4.11	4.19	4.32	4.46	4.31	4.40	4.54	4.68	4.48	4.57	4.72	4.87	4.63	4.73	4.87	5.03	
Amps	13.6	13.9	14.3	14.8	14.6	15.0	15.5	16.0	15.9	16.3	16.8	17.4	17.0	17.4	18.0	18.6	18.0	18.5	19.1	19.8	19.1	19.6	20.2	21.0	
Hi PR	223	240	253	264	250	269	284	296	284	306	323	337	324	348	368	383	364	392	414	431	402	433	457	477	
Lo PR	106	112	123	131	112	119	130	138	116	123	135	143	122	130	141	151	128	136	148	158	132	140	153	163	
MBh	56.0	57.1	59.8	63.8	54.7	55.8	58.4	62.3	53.4	54.4	57.0	60.8	52.1	53.1	55.6	59.3	49.5	50.4	52.8	56.4	45.8	46.7	48.9	52.2	
S/T	1.00	0.98	0.88	0.71	1.00	1.00	0.91	0.74	1.00	1.00	0.94	0.76	1.00	1.00	0.97	0.78	1.00	1.00	1.00	0.81	1.00	1.00	1.00	0.82	
ΔT	23	23	22	19	22	23	22	19	22	22	22	19	21	22	22	19	20	21	22	19	19	19	20	17	
KW	3.68	3.75	3.86	3.98	3.94	4.02	4.14	4.27	4.17	4.26	4.39	4.53	4.38	4.47	4.61	4.75	4.55	4.65	4.79	4.95	4.70	4.80	4.95	5.11	
Amps	13.8	14.1	14.6	15.1	14.9	15.3	15.8	16.3	16.2	16.6	17.1	17.7	17.3	17.7	18.3	19.0	18.4	18.8	19.5	20.2	19.5	19.9	20.6	21.4	
Hi PR	227	244	258	269	255	274	289	302	290	312	329	343	330	355	375	391	371	400	422	440	410	441	466	486	
Lo PR	108	115	125	133	114	121	132	141	118	126	137	146	124	132	144	154	130	138	151	161	135	143	156	167	

IDB: Entering Indoor Dry Bulb Temperature
 High and low pressures are measured at the liquid and suction service valves.
 Shaded area reflects AHRI conditions
 Amps = outdoor unit amps (comp.+fan)
 kW = Total system power

GSX160611F* / CA*F4961*6D* + EEP+TXV

IDB		OUTDOOR AMBIENT TEMPERATURE												105°F												115°F																					
		65°F						75°F						85°F						95°F						105°F						115°F															
		ENTERING INDOOR WET BULB TEMPERATURE												ENTERING INDOOR WET BULB TEMPERATURE												ENTERING INDOOR WET BULB TEMPERATURE												ENTERING INDOOR WET BULB TEMPERATURE									
AIRFLOW	59	63	67	71	59	63	67	71	59	63	67	71	59	63	67	71	59	63	67	71	59	63	67	71	59	63	67	71																			
70	MBh	54.2	56.2	61.6	-	53.0	54.9	60.1	-	51.7	53.6	58.7	-	50.4	52.3	57.3	-	47.9	49.7	54.4	-	44.4	46.0	50.4	-																						
	S/T	0.66	0.55	0.38	-	0.68	0.57	0.39	-	0.70	0.58	0.40	-	0.72	0.60	0.42	-	0.75	0.62	0.43	-	0.75	0.63	0.44	-																						
	ΔT	21	18	14	-	21	19	14	-	21	19	14	-	22	19	14	-	21	18	14	-	20	17	13	-																						
	kW	3.75	3.83	3.95	-	4.04	4.13	4.27	-	4.31	4.40	4.55	-	4.54	4.64	4.79	-	4.73	4.84	5.00	-	4.90	5.01	5.18	-																						
	Amps	13.4	13.8	14.3	-	14.6	15.0	15.5	-	16.0	16.4	17.0	-	17.2	17.6	18.3	-	18.4	18.8	19.5	-	19.5	20.0	20.8	-																						
	Hi PR	227	244	248	-	257	276	280	-	292	314	318	-	333	358	363	-	359	386	392	-	426	458	464	-																						
	Lo PR	113	116	127	-	116	120	131	-	120	124	135	-	123	127	139	-	126	130	141	-	129	133	145	-																						
	MBh	55.9	57.9	63.4	-	54.6	56.5	62.0	-	53.3	55.2	60.5	-	52.0	53.9	59.0	-	49.4	51.2	56.1	-	45.7	47.4	51.9	-																						
	S/T	0.69	0.58	0.40	-	0.71	0.60	0.41	-	0.73	0.61	0.42	-	0.76	0.63	0.44	-	0.78	0.66	0.45	-	0.79	0.66	0.46	-																						
	ΔT	20	18	13	-	20	18	13	-	20	18	13	-	21	18	14	-	20	18	13	-	19	16	12	-																						
	kW	3.78	3.86	3.99	-	4.08	4.17	4.31	-	4.34	4.44	4.59	-	4.57	4.68	4.83	-	4.77	4.88	5.05	-	4.94	5.06	5.23	-																						
	Amps	13.6	13.9	14.4	-	14.8	15.1	15.7	-	16.1	16.6	17.2	-	17.3	17.8	18.4	-	18.5	19.0	19.7	-	19.7	20.2	21.0	-																						
Hi PR	229	247	250	-	259	279	283	-	295	317	322	-	336	361	366	-	363	390	396	-	430	462	469	-																							
Lo PR	114	117	128	-	117	121	132	-	121	125	136	-	124	128	140	-	127	131	143	-	130	134	146	-																							
MBh	56.1	58.2	63.7	-	54.8	56.8	62.3	-	53.5	55.5	60.8	-	52.2	54.1	59.3	-	49.6	51.4	56.3	-	45.9	47.6	52.2	-																							
S/T	0.70	0.58	0.40	-	0.72	0.60	0.42	-	0.74	0.62	0.43	-	0.77	0.64	0.44	-	0.80	0.66	0.46	-	0.80	0.67	0.46	-																							
ΔT	18	16	12	-	18	16	12	-	18	16	12	-	18	16	12	-	18	16	12	-	17	15	11	-																							
kW	3.81	3.89	4.02	-	4.11	4.20	4.34	-	4.38	4.48	4.63	-	4.61	4.72	4.88	-	4.81	4.92	5.09	-	4.98	5.10	5.27	-																							
Amps	13.7	14.1	14.6	-	14.9	15.3	15.8	-	16.3	16.7	17.3	-	17.5	18.0	18.6	-	18.7	19.2	19.9	-	19.9	20.4	21.2	-																							
Hi PR	232	249	253	-	262	282	286	-	298	320	325	-	339	365	370	-	366	394	400	-	434	467	474	-																							
Lo PR	115	119	129	-	118	122	133	-	122	126	138	-	126	130	141	-	128	132	144	-	131	135	148	-																							
75	MBh	55.1	56.8	61.5	66.0	53.9	55.5	60.0	64.4	52.6	54.1	58.6	62.9	51.3	52.8	57.2	61.4	48.7	50.2	54.3	58.3	45.1	46.5	50.3	54.0																						
	S/T	0.75	0.67	0.51	0.33	0.77	0.69	0.52	0.34	0.79	0.71	0.54	0.35	0.82	0.73	0.55	0.36	0.85	0.76	0.58	0.37	0.86	0.77	0.58	0.37																						
	ΔT	24	23	18	13	25	23	19	13	25	23	19	13	24	22	18	12	24	22	18	12	22	20	17	11																						
	kW	3.75	3.83	3.95	4.08	4.04	4.13	4.27	4.41	4.31	4.40	4.55	4.70	4.54	4.64	4.79	4.96	4.73	4.84	5.00	5.18	4.90	5.01	5.18	5.36																						
	Amps	13.4	13.8	14.3	14.8	14.6	15.0	15.5	16.2	16.0	16.4	17.0	17.7	17.2	17.6	18.3	19.0	18.4	18.8	19.5	20.3	19.5	20.0	20.8	21.6																						
	Hi PR	227	244	248	253	257	276	280	286	292	314	318	326	333	358	363	371	359	386	392	400	426	458	464	475																						
	Lo PR	113	116	127	135	116	120	131	139	120	124	135	144	123	127	139	148	126	130	141	151	129	133	145	154																						
	MBh	56.8	58.5	63.3	67.9	55.5	57.1	61.8	66.4	54.2	55.8	60.4	64.8	52.8	54.4	58.9	63.2	50.2	51.7	55.9	60.0	46.5	47.9	51.8	55.6																						
	S/T	0.78	0.70	0.53	0.34	0.81	0.73	0.55	0.35	0.83	0.74	0.56	0.36	0.86	0.77	0.58	0.37	0.89	0.80	0.60	0.39	0.90	0.80	0.61	0.39																						
	ΔT	23	22	18	12	24	22	18	12	24	22	18	12	24	22	18	12	24	22	18	12	22	20	17	11																						
	kW	3.78	3.86	3.99	4.12	4.08	4.17	4.31	4.45	4.34	4.44	4.59	4.74	4.57	4.68	4.83	5.00	4.77	4.88	5.05	5.22	4.94	5.06	5.23	5.41																						
	Amps	13.6	13.9	14.4	15.0	14.8	15.1	15.7	16.3	16.1	16.6	17.2	17.9	17.3	17.8	18.4	19.2	18.5	19.0	19.7	20.5	19.7	20.2	21.0	21.8																						
Hi PR	229	247	250	256	259	279	283	289	295	317	322	329	336	361	366	374	363	390	396	404	430	462	469	479																							
Lo PR	114	117	128	137	117	121	132	141	121	125	136	145	124	128	140	149	127	131	143	152	130	134	146	156																							
MBh	57.1	58.8	63.6	68.3	55.8	57.4	62.1	66.7	54.4	56.0	60.7	65.1	53.1	54.7	59.2	63.5	50.4	51.9	56.2	60.3	46.7	48.1	52.1	55.9																							
S/T	0.79	0.71	0.54	0.35	0.82	0.74	0.56	0.36	0.84	0.75	0.57	0.37	0.87	0.78	0.59	0.38	0.90	0.81	0.61	0.39	0.91	0.82	0.62	0.40																							
ΔT	21	19	16	11	21	19	16	11	21	19	16	11	21	20	16	11	21	19	16	11	20	18	15	10																							
kW	3.81	3.89	4.02	4.15	4.11	4.20	4.34	4.49	4.38	4.48	4.63	4.78	4.61	4.72	4.88	5.04	4.81	4.92	5.09	5.26	4.98	5.10	5.27	5.46																							
Amps	13.7	14.1	14.6	15.1	14.9	15.3	15.8	16.5	16.3	16.7	17.3	18.0	17.5	18.0	18.6	19.4	18.7	19.2	19.9	20.7	19.9	20.4	21.2	22.0																							
Hi PR	232	249	253	258	262	282	286	292	298	320	325	332	339	365	370	378	366	394	400	408	434	467	474	484																							
Lo PR	115	119	129	138	118	122	133	142	122	126	138	147	126	130	141	151	128	132	144	154	131	135	148	157																							

IDB: Entering Indoor Dry Bulb Temperature
 High and low pressures are measured at the liquid and suction service valves.
 Shaded area reflects ACCA (TVA) conditions
 Amps = outdoor unit amps (comp.+fan)
 kW = Total system power

GSX160611F* / CA*F4961*6D* +EFP+TXV (CONT.)

IDB	AIRFLOW	OUTDOOR AMBIENT TEMPERATURE												ENTERING INDOOR WET BULB TEMPERATURE											
		65°F				75°F				85°F				95°F				105°F				115°F			
		59	63	67	71	59	63	67	71	59	63	67	71	59	63	67	71	59	63	67	71	59	63	67	71
80	MBh	56.1	57.4	61.3	65.5	54.8	56.0	59.9	64.0	53.5	54.7	58.4	62.5	52.2	53.4	57.0	60.9	49.6	50.7	54.2	57.9	45.9	46.9	50.2	53.6
	S/T	0.82	0.77	0.63	0.47	0.85	0.80	0.65	0.48	0.87	0.82	0.66	0.50	0.90	0.84	0.69	0.51	0.93	0.87	0.71	0.53	0.94	0.88	0.72	0.54
	ΔT	27	26	23	18	28	26	23	18	28	26	23	18	28	27	23	19	27	26	23	18	26	25	21	17
	kW	3.75	3.83	3.95	4.08	4.04	4.13	4.27	4.41	4.31	4.40	4.55	4.70	4.54	4.64	4.79	4.96	4.73	4.84	5.00	5.18	4.90	5.01	5.18	5.36
	Amps	13.4	13.8	14.3	14.8	14.6	15.0	15.5	16.2	16.0	16.4	17.0	17.7	17.2	17.6	18.3	19.0	18.4	18.8	19.5	20.3	19.5	20.0	20.8	21.6
	Hi PR	227	244	248	253	257	276	280	286	292	314	318	326	333	358	363	371	359	386	392	400	426	458	464	475
	Lo PR	113	116	127	135	116	120	131	139	120	124	135	144	123	127	139	148	126	130	141	151	129	133	145	154
	MBh	57.8	59.1	63.1	67.5	56.5	57.7	61.6	65.9	55.1	56.3	60.2	64.3	53.8	55.0	58.7	62.8	51.1	52.2	55.8	59.6	47.3	48.4	51.7	55.2
	S/T	0.86	0.81	0.66	0.49	0.89	0.84	0.68	0.51	0.91	0.86	0.70	0.52	0.94	0.88	0.72	0.54	1.00	0.92	0.75	0.56	1.00	0.93	0.75	0.56
	ΔT	26	25	22	17	26	25	22	18	26	25	22	18	27	26	22	18	27	25	22	17	25	24	20	16
	kW	3.78	3.86	3.99	4.12	4.08	4.17	4.31	4.45	4.34	4.44	4.59	4.74	4.57	4.68	4.83	5.00	4.77	4.88	5.05	5.22	4.94	5.06	5.23	5.41
	Amps	13.6	13.9	14.4	15.0	14.8	15.1	15.7	16.3	16.1	16.6	17.2	17.9	17.3	17.8	18.4	19.2	18.5	19.0	19.7	20.5	19.7	20.2	21.0	21.8
Hi PR	229	247	250	256	259	279	283	289	295	317	322	329	336	361	366	374	363	390	396	404	430	462	469	479	
Lo PR	114	117	128	137	117	121	132	141	121	125	136	145	124	128	140	149	127	131	143	152	130	134	146	156	
MBh	58.1	59.4	63.4	67.8	56.7	58.0	61.9	66.2	55.4	56.6	60.5	64.6	54.0	55.2	59.0	63.1	51.3	52.5	56.0	59.9	47.6	48.6	51.9	55.5	
S/T	0.87	0.82	0.66	0.50	0.90	0.85	0.69	0.51	0.93	0.87	0.71	0.53	0.96	0.90	0.73	0.55	1.00	0.93	0.76	0.57	1.00	0.94	0.76	0.57	
ΔT	23	22	19	15	24	23	20	16	24	23	20	16	24	23	20	16	24	22	19	16	22	21	18	15	
kW	3.81	3.89	4.02	4.15	4.11	4.20	4.34	4.49	4.38	4.48	4.63	4.78	4.61	4.72	4.88	5.04	4.81	4.92	5.09	5.26	4.98	5.10	5.27	5.46	
Amps	13.7	14.1	14.6	15.1	14.9	15.3	15.8	16.5	16.3	16.7	17.3	18.0	17.5	18.0	18.6	19.4	18.7	19.2	19.9	20.7	19.9	20.4	21.2	22.0	
Hi PR	232	249	253	258	262	282	286	292	298	320	325	332	339	365	370	378	366	394	400	408	434	467	474	484	
Lo PR	115	119	129	138	118	122	133	142	122	126	138	147	126	130	141	151	128	132	144	154	131	135	148	157	
85	MBh	57.1	58.2	61.0	65.0	55.8	56.9	59.6	63.5	54.5	55.5	58.1	62.0	53.1	54.2	56.7	60.5	50.5	51.4	53.9	57.5	46.7	47.7	49.9	53.2
	S/T	0.86	0.83	0.75	0.61	0.89	0.86	0.78	0.63	0.91	0.88	0.80	0.65	0.94	0.91	0.82	0.67	0.98	0.94	0.85	0.69	0.99	0.95	0.86	0.70
	ΔT	29	29	27	23	29	29	27	24	29	29	27	24	30	29	28	24	29	29	27	24	27	27	25	22
	kW	3.75	3.83	3.95	4.08	4.04	4.13	4.27	4.41	4.31	4.40	4.55	4.70	4.54	4.64	4.79	4.96	4.73	4.84	5.00	5.18	4.90	5.01	5.18	5.36
	Amps	13.4	13.8	14.3	14.8	14.6	15.0	15.5	16.2	16.0	16.4	17.0	17.7	17.2	17.6	18.3	19.0	18.4	18.8	19.5	20.3	19.5	20.0	20.8	21.6
	Hi PR	227	244	248	253	257	276	280	286	292	314	318	326	333	358	363	371	359	386	392	400	426	458	464	475
	Lo PR	113	116	127	135	116	120	131	139	120	124	135	144	123	127	139	148	126	130	141	151	129	133	145	154
	MBh	58.8	60.0	62.8	67.0	57.5	58.6	61.3	65.4	56.1	57.2	59.9	63.9	54.7	55.8	58.4	62.3	52.0	53.0	55.5	59.2	48.2	49.1	51.4	54.8
	S/T	0.90	0.87	0.78	0.64	0.93	0.90	0.81	0.66	0.96	0.92	0.83	0.68	0.99	0.95	0.86	0.70	1.00	0.99	0.89	0.72	1.00	1.00	0.90	0.73
	ΔT	28	27	26	22	28	28	26	23	28	28	26	23	28	28	26	23	27	28	26	23	25	26	24	21
	kW	3.78	3.86	3.99	4.12	4.08	4.17	4.31	4.45	4.34	4.44	4.59	4.74	4.57	4.68	4.83	5.00	4.77	4.88	5.05	5.22	4.94	5.06	5.23	5.41
	Amps	13.6	13.9	14.4	15.0	14.8	15.1	15.7	16.3	16.1	16.6	17.2	17.9	17.3	17.8	18.4	19.2	18.5	19.0	19.7	20.5	19.7	20.2	21.0	21.8
Hi PR	229	247	250	256	259	279	283	289	295	317	322	329	336	361	366	374	363	390	396	404	430	462	469	479	
Lo PR	114	117	128	137	117	121	132	141	121	125	136	145	124	128	140	149	127	131	143	152	130	134	146	156	
MBh	59.1	60.3	63.1	67.3	57.7	58.8	61.6	65.8	56.4	57.4	60.2	64.2	55.0	56.0	58.7	62.6	52.2	53.2	55.8	59.5	48.4	49.3	51.7	55.1	
S/T	0.91	0.88	0.80	0.65	0.95	0.91	0.82	0.67	0.97	0.94	0.84	0.69	1.00	0.97	0.87	0.71	1.00	1.00	0.91	0.73	1.00	1.00	0.91	0.74	
ΔT	25	24	23	20	25	25	23	20	25	25	23	20	25	25	24	20	24	24	23	20	22	23	22	19	
kW	3.81	3.89	4.02	4.15	4.11	4.20	4.34	4.49	4.38	4.48	4.63	4.78	4.61	4.72	4.88	5.04	4.81	4.92	5.09	5.26	4.98	5.10	5.27	5.46	
Amps	13.7	14.1	14.6	15.1	14.9	15.3	15.8	16.5	16.3	16.7	17.3	18.0	17.5	18.0	18.6	19.4	18.7	19.2	19.9	20.7	19.9	20.4	21.2	22.0	
Hi PR	232	249	253	258	262	282	286	292	298	320	325	332	339	365	370	378	366	394	400	408	434	467	474	484	
Lo PR	115	119	129	138	118	122	133	142	122	126	138	147	126	130	141	151	128	132	144	154	131	135	148	157	

IDB: Entering Indoor Dry Bulb Temperature
 High and low pressures are measured at the liquid and suction service valves.
 Shaded area reflects AHRI conditions
 Amps = outdoor unit amps (comp.+fan)
 kW = Total system power

OUTDOOR UNIT	INDOOR UNITS		COOLING RATINGS				CFM	AHRI #
	COILS/AIR HANDLERS	FURNACES	TOTAL ¹	SENS. ¹	SEER ²	EER ³		
	ACNF18XX16D*		17,200	12,700	14.00	12.00	600	6107302
	ACNF24XX16D*		17,600	13,000	14.00	12.00	650	6107303
	ARPT24B14A*		17,600	13,000	14.00	12.00	600	5983391
	ASPT24B14A*		17,600	13,000	16.00	13.00	600	5756171
	ASPT30C14A*		18,000	13,300	16.00	13.00	580	5983392
	ASUF29B14A*		17,000	12,600	15.00	12.50	600	5986671
	ASUF29B14A*+TXV		17,000	12,600	16.00	13.00	600	5983393
	AVPTC24B14A*		17,600	13,000	16.00	13.00	530	5924353
	AWUF31XX16A*		17,600	13,000	15.00	12.50	600	5753205
	AWUF31XX16A*+TXV		17,600	13,000	15.00	12.50	600	5753075
	AWUF32XX16A*		17,600	13,000	15.00	12.50	640	5753206
	AWUF32XX16A*+TXV		17,600	13,000	15.00	12.50	640	5753076
	CA*F3131*6D*	G*E80603B*B*	17,600	13,000	14.50	12.00	620	5986642
	CA*F3131*6D*	G*VC950453BXB*	17,600	13,000	14.50	12.00	600	5986646
	CA*F3131*6D*	G*VC950704CXB*	17,600	13,000	14.50	12.00	630	5986651
	CA*F3131*6D*	G*VC950714CXB*	17,600	13,000	15.50	12.50	650	5986656
	CA*F3131*6D*	G*VM960603BXB*	17,600	13,000	14.50	12.00	650	5986658
	CA*F3131*6D*	GME950403BXA*	17,600	13,000	14.50	12.00	600	5986663
	CA*F3131*6D*	GME950603BXA*	17,600	13,000	14.50	12.00	600	5986667
	CA*F3131*6D*	A*VC950453BXB*	17,600	13,000	14.50	12.00	600	5987118
	CA*F3131*6D*	A*VC950704CXB*	17,600	13,000	14.50	12.00	630	5987123
	CA*F3131*6D*	A*VC950714CXB*	17,600	13,000	15.50	12.50	650	5987128
	CA*F3131*6D*	A*VM960603BXB*	17,600	13,000	14.50	12.00	650	5987130
	CA*F3131*6D*	A*EH800603B*A*	17,600	13,000	14.50	12.00	620	6945022
	CA*F3131*6D*	AMEH960403BXA*	17,600	13,000	14.50	12.00	600	6945023
	CA*F3131*6D*	AMEH960603BXA*	17,600	13,000	14.50	12.00	600	6945024
	CA*F3131*6D*+EEP+TXV		17,600	13,000	14.00	12.00	650	5983335
GSX16	CA*F3131*6D*+MBVC1200**-1A*		17,600	13,000	14.50	12.00	615	5986632
0181F*	CA*F3131*6D*+MBVC1200**-1A*+TXV		17,600	13,000	15.00	12.50	615	5983336
	CA*F3131*6D*+TXV	G*E80603B*B*	17,600	13,000	15.00	12.50	620	5983346
	CA*F3131*6D*+TXV	G*VC80604B*B*	17,600	13,000	15.00	12.50	620	5983349
	CA*F3131*6D*+TXV	G*VC950453BXB*	17,600	13,000	15.00	12.50	600	5983352
	CA*F3131*6D*+TXV	G*VC950704CXB*	17,600	13,000	15.00	12.50	630	5983359
	CA*F3131*6D*+TXV	G*VC950714CXB*	17,600	13,000	15.00	12.50	650	5983366
	CA*F3131*6D*+TXV	G*VM960603BXB*	17,600	13,000	15.00	12.50	650	5983370
	CA*F3131*6D*+TXV	G*VM960604CXB*	17,600	13,000	15.00	12.50	650	5983376
	CA*F3131*6D*+TXV	GME950403BXA*	17,600	13,000	15.00	12.50	600	5983381
	CA*F3131*6D*+TXV	GME950603BXA*	17,600	13,000	15.00	12.50	600	5983385
	CA*F3131*6D*+TXV	A*VC950453BXB*	17,600	13,000	15.00	12.50	600	5983834
	CA*F3131*6D*+TXV	A*VC950704CXB*	17,600	13,000	15.00	12.50	630	5983841
	CA*F3131*6D*+TXV	A*VC950714CXB*	17,600	13,000	15.00	12.50	650	5983848
	CA*F3131*6D*+TXV	A*VM960603BXB*	17,600	13,000	15.00	12.50	650	5983852
	CA*F3131*6D*+TXV	A*VM960604CXB*	17,600	13,000	15.00	12.50	650	5983858
	CA*F3131*6D*+TXV	A*VC80604B*B*	17,600	13,000	15.00	12.50	620	5984031
	CA*F3131*6D*+TXV	A*EH800603B*A*	17,600	13,000	15.00	12.50	620	6945025
	CA*F3131*6D*+TXV	AMEH960403BXA*	17,600	13,000	15.00	12.50	600	6945026
	CA*F3131*6D*+TXV	AMEH960603BXA*	17,600	13,000	15.00	12.50	600	6945027
	CA*F3636*6D*	G*E80603B*B*	18,000	13,300	15.50	12.50	620	5986643
	CA*F3636*6D*	G*VC950453BXB*	18,000	13,300	15.00	12.50	600	5986647
	CA*F3636*6D*	G*VC950704CXB*	18,000	13,300	15.00	12.50	630	5986652
	CA*F3636*6D*	G*VC950714CXB*	18,000	13,300	15.50	12.50	650	5986657
	CA*F3636*6D*	G*VM960603BXB*	18,000	13,300	15.20	12.50	650	5986659
	CA*F3636*6D*	ADVC80603B*B*	18,000	13,300	15.50	12.50	620	5986662
	CA*F3636*6D*	GME950403BXA*	18,000	13,300	15.50	12.50	600	5986664
	CA*F3636*6D*	GME950603BXA*	18,000	13,300	14.50	12.00	600	5986668
	CA*F3636*6D*	A*VC950453BXB*	18,000	13,300	15.00	12.50	600	5987119

See Notes on Page 42.

OUTDOOR UNIT	INDOOR UNITS		COOLING RATINGS				CFM	AHRI #
	COILS/AIR HANDLERS	FURNACES	TOTAL ¹	SENS. ¹	SEER ²	EER ³		
GSX16 0181F* (cont.)	CA*F3636*6D*	A*VC950704CXB*	18,000	13,300	15.00	12.50	630	5987124
	CA*F3636*6D*	A*VC950714CXB*	18,000	13,300	15.50	12.50	650	5987129
	CA*F3636*6D*	A*VM960603BXB*	18,000	13,300	15.20	12.50	650	5987131
	CA*F3636*6D*	A*EH800603B*A*	18,000	13,300	15.50	12.50	620	6945028
	CA*F3636*6D*	AMEH960403BXA*	18,000	13,300	15.50	12.50	600	6945029
	CA*F3636*6D*	AMEH960603BXA*	18,000	13,300	14.50	12.00	600	6945030
	CA*F3636*6D*+EEP		18,000	13,300	14.00	12.00	650	5986633
	CA*F3636*6D*+EEP+TXV		18,000	13,300	14.50	12.00	650	5753012
	CA*F3636*6D*+MBVC1200**-1A*		18,000	13,300	15.50	12.50	615	5986634
	CA*F3636*6D*+MBVC1200**-1A*+TXV		18,000	13,300	16.00	13.00	615	5983337
	CA*F3636*6D*+TXV	G*E80603B*B*	18,000	13,300	16.00	13.00	600	5753016
	CA*F3636*6D*+TXV	GME950403BXA*	18,000	13,300	16.00	13.00	575	5753018
	CA*F3636*6D*+TXV	G*VC950453BXB*	18,000	13,300	15.50	12.50	600	5983353
	CA*F3636*6D*+TXV	G*VC950704CXB*	18,000	13,300	15.50	12.50	630	5983360
	CA*F3636*6D*+TXV	G*VC950714CXB*	18,000	13,300	16.00	13.00	650	5983367
	CA*F3636*6D*+TXV	G*VM960603BXB*	18,000	13,300	15.50	12.50	650	5983371
	CA*F3636*6D*+TXV	ADVC80603B*B*	18,000	13,300	16.00	13.00	620	5983380
	CA*F3636*6D*+TXV	GME950603BXA*	18,000	13,300	16.00	13.00	600	5983386
	CA*F3636*6D*+TXV	A*VC950453BXB*	18,000	13,300	15.50	12.50	600	5983835
	CA*F3636*6D*+TXV	A*VC950704CXB*	18,000	13,300	15.50	12.50	630	5983842
	CA*F3636*6D*+TXV	A*VC950714CXB*	18,000	13,300	16.00	13.00	650	5983849
	CA*F3636*6D*+TXV	A*VM960603BXB*	18,000	13,300	15.50	12.50	650	5983853
	CA*F3636*6D*+TXV	A*VC80604B*B*	18,000	13,300	16.00	13.00	600	6107838
	CA*F3636*6D*+TXV	G*VC80604B*B*	18,000	13,300	16.00	13.00	600	6107842
	CA*F3636*6D*+TXV	A*EH800603B*A*	18,000	13,300	16.00	13.00	600	6945031
	CA*F3636*6D*+TXV	AMEH960403BXA*	18,000	13,300	16.00	13.00	575	6945032
	CA*F3636*6D*+TXV	AMEH960603BXA*	18,000	13,300	16.00	13.00	600	6945033
	CA*F3743*6D*+EEP+TXV		18,400	13,600	15.00	12.50	600	5753013
	CA*F3743*6D*+TXV	G*VC950453BXB*	18,000	13,300	16.00	13.00	600	5983354
	CA*F3743*6D*+TXV	G*VC950704CXB*	18,000	13,300	16.00	13.00	630	5983361
	CA*F3743*6D*+TXV	G*VC950714CXB*	18,000	13,300	16.00	13.00	650	5983368
	CA*F3743*6D*+TXV	G*VM960603BXB*	18,000	13,300	16.00	13.00	650	5983372
	CA*F3743*6D*+TXV	G*VM960604CXB*	18,000	13,300	16.00	13.00	650	5983377
	CA*F3743*6D*+TXV	GME950403BXA*	18,000	13,300	16.00	13.00	600	5983382
	CA*F3743*6D*+TXV	GME950603BXA*	18,000	13,300	16.00	13.00	600	5983387
	CA*F3743*6D*+TXV	A*VC950453BXB*	18,000	13,300	16.00	13.00	600	5983836
	CA*F3743*6D*+TXV	A*VC950704CXB*	18,000	13,300	16.00	13.00	630	5983843
	CA*F3743*6D*+TXV	A*VC950714CXB*	18,000	13,300	16.00	13.00	650	5983850
	CA*F3743*6D*+TXV	A*VM960603BXB*	18,000	13,300	16.00	13.00	650	5983854
	CA*F3743*6D*+TXV	A*VM960604CXB*	18,000	13,300	16.00	13.00	650	5983859
	CA*F3743*6D*+TXV	AMEH960403BXA*	18,000	13,300	16.00	13.00	600	6945034
	CA*F3743*6D*+TXV	AMEH960603BXA*	18,000	13,300	16.00	13.00	600	6945035
	CAPT3131*4A*	G*E80603B*B*	17,600	13,000	15.00	12.50	620	5983347
	CAPT3131*4A*	G*VC80604B*B*	17,600	13,000	15.00	12.50	620	5983350
	CAPT3131*4A*	G*VC950453BXB*	17,600	13,000	15.00	12.50	600	5983355
	CAPT3131*4A*	G*VC950704CXB*	17,600	13,000	15.00	12.50	630	5983362
	CAPT3131*4A*	G*VC950714CXB*	17,600	13,000	15.00	12.50	650	5983369
CAPT3131*4A*	G*VM960603BXB*	17,600	13,000	15.00	12.50	650	5983373	
CAPT3131*4A*	G*VM960604CXB*	17,600	13,000	15.00	12.50	650	5983378	
CAPT3131*4A*	GME950403BXA*	17,600	13,000	15.00	12.50	600	5983383	
CAPT3131*4A*	GME950603BXA*	17,600	13,000	15.00	12.50	600	5983388	
CAPT3131*4A*	A*VC950453BXB*	17,600	13,000	15.00	12.50	600	5983837	
CAPT3131*4A*	A*VC950704CXB*	17,600	13,000	15.00	12.50	630	5983844	
CAPT3131*4A*	A*VC950714CXB*	17,600	13,000	15.00	12.50	650	5983851	
CAPT3131*4A*	A*VM960603BXB*	17,600	13,000	15.00	12.50	650	5983855	
CAPT3131*4A*	A*VM960604CXB*	17,600	13,000	15.00	12.50	650	5983860	

See Notes on Page 42.

OUTDOOR UNIT	INDOOR UNITS		COOLING RATINGS				CFM	AHRI #
	COILS/AIR HANDLERS	FURNACES	TOTAL ¹	SENS. ¹	SEER ²	EER ³		
GSX16 0181F* (cont.)	CAPT3131*4A*	A*VC80604B*B*	17,600	13,000	15.00	12.50	620	5984032
	CAPT3131*4A*	ADV80603B*B*	17,600	13,000	15.20	12.50	625	6345879
	CAPT3131*4A*	A*EH800603B*A*	17,600	13,000	15.00	12.50	620	6945036
	CAPT3131*4A*	AMEH960403BXA*	17,600	13,000	15.00	12.50	600	6945037
	CAPT3131*4A*	AMEH960603BXA*	17,600	13,000	15.00	12.50	600	6945038
	CAPT3131*4A*+EEP		17,600	13,000	14.00	12.00	650	5983338
	CAPT3131*4A*+MBVC1200**-1A*		17,600	13,000	15.00	12.50	615	5983339
	CAPT3743*4A*+EEP		18,000	13,300	15.00	12.50	650	5983340
	CHPF2430B6C*	G*E80603B*B*	17,600	13,000	14.50	12.00	620	5986644
	CHPF2430B6C*	G*VC950453BXB*	17,600	13,000	14.50	12.00	600	5986648
	CHPF2430B6C*	G*VC950704CXB*	17,400	12,900	14.50	12.00	630	5986653
	CHPF2430B6C*	G*VM960603BXB*	17,400	12,900	14.50	12.00	650	5986660
	CHPF2430B6C*	GME950403BXA*	17,600	13,000	14.50	12.00	600	5986665
	CHPF2430B6C*	GME950603BXA*	17,600	13,000	14.50	12.00	600	5986669
	CHPF2430B6C*	A*VC950453BXB*	17,600	13,000	14.50	12.00	600	5987120
	CHPF2430B6C*	A*VC950704CXB*	17,400	12,900	14.50	12.00	630	5987125
	CHPF2430B6C*	A*VM960603BXB*	17,400	12,900	14.50	12.00	650	5987132
	CHPF2430B6C*	A*EH800603B*A*	17,600	13,000	14.50	12.00	620	6945039
	CHPF2430B6C*	AMEH960403BXA*	17,600	13,000	14.50	12.00	600	6945040
	CHPF2430B6C*	AMEH960603BXA*	17,600	13,000	14.50	12.00	600	6945041
	CHPF2430B6C*+EEP		17,600	13,000	13.50	11.50	650	5986635
	CHPF2430B6C*+EEP+TXV		17,600	13,000	14.00	12.00	650	5983341
	CHPF2430B6C*+MBVC1200**-1A*		17,600	13,000	14.50	12.00	615	5986636
	CHPF2430B6C*+MBVC1200**-1A*+TXV		17,600	13,000	15.00	12.50	615	5983342
	CHPF2430B6C*+TXV	G*E80603B*B*	17,600	13,000	15.00	12.50	620	5983348
	CHPF2430B6C*+TXV	G*VC80604B*B*	17,600	13,000	15.00	12.50	620	5983351
	CHPF2430B6C*+TXV	G*VC950453BXB*	17,600	13,000	15.00	12.50	600	5983356
	CHPF2430B6C*+TXV	G*VC950704CXB*	17,600	13,000	15.00	12.50	630	5983363
	CHPF2430B6C*+TXV	G*VM960603BXB*	17,600	13,000	15.00	12.50	650	5983374
	CHPF2430B6C*+TXV	G*VM960604CXB*	17,600	13,000	15.00	12.50	650	5983379
	CHPF2430B6C*+TXV	GME950403BXA*	17,600	13,000	15.00	12.50	600	5983384
	CHPF2430B6C*+TXV	GME950603BXA*	17,600	13,000	15.00	12.50	600	5983389
	CHPF2430B6C*+TXV	A*VC950453BXB*	17,600	13,000	15.00	12.50	600	5983838
	CHPF2430B6C*+TXV	A*VC950704CXB*	17,600	13,000	15.00	12.50	630	5983845
	CHPF2430B6C*+TXV	A*VM960603BXB*	17,600	13,000	15.00	12.50	650	5983856
	CHPF2430B6C*+TXV	A*VM960604CXB*	17,600	13,000	15.00	12.50	650	5983861
	CHPF2430B6C*+TXV	A*VC80604B*B*	17,600	13,000	15.00	12.50	620	5984033
	CHPF2430B6C*+TXV	A*EH800603B*A*	17,600	13,000	15.00	12.50	620	6945042
	CHPF2430B6C*+TXV	AMEH960403BXA*	17,600	13,000	15.00	12.50	600	6945043
	CHPF2430B6C*+TXV	AMEH960603BXA*	17,600	13,000	15.00	12.50	600	6945044
	CHPF3636B6C*	G*E80603B*B*	18,000	13,300	15.00	12.50	620	5986645
	CHPF3636B6C*	G*VC950453BXB*	18,000	13,300	14.50	12.00	600	5986649
	CHPF3636B6C*	G*VC950704CXB*	18,000	13,300	15.20	12.50	630	5986654
	CHPF3636B6C*	G*VM960603BXB*	18,000	13,300	15.20	12.50	650	5986661
	CHPF3636B6C*	GME950403BXA*	18,000	13,300	15.50	12.50	600	5986666
	CHPF3636B6C*	GME950603BXA*	18,000	13,300	15.50	12.50	600	5986670
	CHPF3636B6C*	A*VC950453BXB*	18,000	13,300	14.50	12.00	600	5987121
	CHPF3636B6C*	A*VC950704CXB*	18,000	13,300	15.20	12.50	630	5987126
	CHPF3636B6C*	A*VM960603BXB*	18,000	13,300	15.20	12.50	650	5987133
	CHPF3636B6C*	A*EH800603B*A*	18,000	13,300	15.00	12.50	620	6945045
CHPF3636B6C*	AMEH960403BXA*	18,000	13,300	15.50	12.50	600	6945046	
CHPF3636B6C*	AMEH960603BXA*	18,000	13,300	15.50	12.50	600	6945047	
CHPF3636B6C*+EEP		18,000	13,300	14.00	12.00	650	5986637	
CHPF3636B6C*+EEP+TXV		18,000	13,300	14.50	12.00	600	5753014	
CHPF3636B6C*+MBVC1200**-1A*		18,000	13,300	14.50	12.00	615	5986638	
CHPF3636B6C*+MBVC1200**-1A*+TXV		18,000	13,300	15.00	12.50	615	5983343	

See Notes on Page 42.

OUTDOOR UNIT	INDOOR UNITS		COOLING RATINGS				CFM	AHRI #
	COILS/AIR HANDLERS	FURNACES	TOTAL ¹	SENS. ¹	SEER ²	EER ³		
GSX16 0181F* (cont.)	CHPF3636B6C*+TXV	G*E80603B*B*	18,000	13,300	16.00	13.00	600	5753017
	CHPF3636B6C*+TXV	GME950403BXA*	18,000	13,300	16.00	13.00	575	5753019
	CHPF3636B6C*+TXV	G*VC950453BXB*	18,000	13,300	15.00	12.50	600	5983357
	CHPF3636B6C*+TXV	G*VM960603BXB*	18,000	13,300	15.50	12.50	630	5983364
	CHPF3636B6C*+TXV	GME950603BXA*	18,000	13,300	16.00	13.00	600	5983390
	CHPF3636B6C*+TXV	A*VC950453BXB*	18,000	13,300	15.00	12.50	600	5983839
	CHPF3636B6C*+TXV	A*VC950704CXB*	18,000	13,300	15.50	12.50	630	5983846
	CHPF3636B6C*+TXV	A*VM960603BXB*	18,000	13,300	15.50	12.50	650	5983857
	CHPF3636B6C*+TXV	A*VC80604B*B*	18,000	13,300	16.00	13.00	600	6107839
	CHPF3636B6C*+TXV	G*VC80604B*B*	18,000	13,300	16.00	13.00	600	6107843
	CHPF3636B6C*+TXV	A*EH800603B*A*	18,000	13,300	16.00	13.00	600	6945048
	CHPF3636B6C*+TXV	AMEH960403BXA*	18,000	13,300	16.00	13.00	575	6945049
	CHPF3636B6C*+TXV	AMEH960603BXA*	18,000	13,300	16.00	13.00	600	6945050
	CHPF3743C6B*+EEP		18,000	13,300	14.00	12.00	650	5986639
	CHPF3743C6B*+EEP+TXV		18,200	13,500	15.00	12.50	600	5753015
	CSCF3036N6D*	G*VC950453BXB*	18,000	13,300	14.50	12.00	600	5986650
	CSCF3036N6D*	G*VC950704CXB*	17,400	12,900	14.50	12.00	630	5986655
	CSCF3036N6D*	A*VC950453BXB*	18,000	13,300	14.50	12.00	600	5987122
	CSCF3036N6D*	A*VC950704CXB*	17,400	12,900	14.50	12.00	630	5987127
	CSCF3036N6D*+EEP		17,800	13,200	13.50	11.50	650	5986640
	CSCF3036N6D*+EEP+TXV		18,000	13,300	14.00	12.00	650	5983344
	CSCF3036N6D*+TXV	G*VC950453BXB*	18,000	13,300	15.00	12.50	600	5983358
	CSCF3036N6D*+TXV	G*VC950704CXB*	18,000	13,300	15.00	12.50	630	5983365
	CSCF3036N6D*+TXV	A*VC950453BXB*	18,000	13,300	15.00	12.50	600	5983840
	CSCF3036N6D*+TXV	A*VC950704CXB*	18,000	13,300	15.00	12.50	630	5983847
	CSCF3642N6D*+EEP		18,000	13,300	13.50	11.50	650	5986641
	CSCF3642N6D*+EEP+TXV		18,000	13,300	14.50	12.00	650	5983345
	GSX16 0241F*	ACNF24XX16D*		23,000	17,200	14.00	12.00	750
ACNF30XX16D*			23,200	17,400	14.00	12.00	800	6107305
ARPT24B14A*			22,000	16,500	13.50	11.00	800	5983394
ARPT30B14A*			23,400	17,500	14.00	12.00	750	5983395
ARUF24B14C*			23,000	17,200	13.50	11.00	800	7084832
ARUF24B14C*+TXV			23,000	17,200	14.00	11.50	800	7084833
ASPT30C14A*			23,600	17,700	16.00	13.00	750	5756172
ASUF29B14A*			23,000	17,200	14.00	11.50	690	5986673
ASUF29B14A*+TXV			23,000	17,200	14.50	12.00	690	5983397
ASUF39C14A*			23,600	17,700	14.00	12.00	885	5986674
ASUF39C14A*+TXV			23,600	17,700	15.00	12.50	885	5983398
AVPTC30C14A*			23,600	17,700	16.00	13.00	780	5924457
AWUF31XX16A*			24,000	18,000	15.00	12.50	750	5753207
AWUF31XX16A*+TXV			24,000	18,000	15.00	12.50	750	5753077
AWUF32XX16A*			24,000	18,000	15.00	12.50	750	5753208
AWUF32XX16A*+TXV			24,000	18,000	15.00	12.50	750	5753078
CA*F3131*6D*		G*E80603B*B*	23,000	17,200	14.50	12.50	850	5986684
CA*F3131*6D*		G*VC80604B*B*	23,000	17,200	14.50	12.00	750	5986688
CA*F3131*6D*		G*VC80805C*B*	23,000	17,200	14.50	12.00	800	5986693
CA*F3131*6D*		G*VC81005C*B*	23,000	17,200	14.50	12.00	750	5986699
CA*F3131*6D*		GME950403BXA*	23,000	17,200	14.50	12.00	770	5986745
CA*F3131*6D*		GME950603BXA*	23,000	17,200	14.50	12.00	750	5986748
CA*F3131*6D*		A*VC80604B*B*	23,000	17,200	14.50	12.00	750	5987134
CA*F3131*6D*		A*VC80805C*B*	23,000	17,200	14.50	12.00	800	5987141
CA*F3131*6D*		A*VC81005C*B*	23,000	17,200	14.50	12.00	750	5987149
CA*F3131*6D*		A*EH800603B*A*	23,000	17,200	14.50	12.50	850	6945051
CA*F3131*6D*		AMEH960403BXA*	23,000	17,200	14.50	12.00	770	6945052
CA*F3131*6D*		AMEH960603BXA*	23,000	17,200	14.50	12.00	750	6945053

See Notes on Page 42.

OUTDOOR UNIT	INDOOR UNITS		COOLING RATINGS				CFM	AHRI #
	COILS/AIR HANDLERS	FURNACES	TOTAL ¹	SENS. ¹	SEER ²	EER ³		
GSX16 0241F* (cont.)	CA*F3131*6D*+TXV	G*E80603B*B*	23,000	17,200	15.00	12.50	850	5983405
	CA*F3131*6D*+TXV	G*VC80604B*B*	23,000	17,200	15.20	12.50	750	5983408
	CA*F3131*6D*+TXV	G*VC80805C*B*	23,000	17,200	15.20	12.50	800	5983414
	CA*F3131*6D*+TXV	G*VC81005C*B*	23,000	17,200	15.20	12.50	750	5983420
	CA*F3131*6D*+TXV	GME950403BXA*	23,000	17,200	15.20	12.50	770	5983454
	CA*F3131*6D*+TXV	GME950603BXA*	23,000	17,200	15.20	12.50	750	5983459
	CA*F3131*6D*+TXV	A*VC80604B*B*	23,000	17,200	15.20	12.50	750	5987135
	CA*F3131*6D*+TXV	A*VC80805C*B*	23,000	17,200	15.20	12.50	800	5987142
	CA*F3131*6D*+TXV	A*VC81005C*B*	23,000	17,200	15.20	12.50	750	5987150
	CA*F3131*6D*+TXV	A*EH800603B*A*	23,000	17,200	15.00	12.50	850	6945054
	CA*F3131*6D*+TXV	AMEH960403BXA*	23,000	17,200	15.20	12.50	770	6945055
	CA*F3131*6D*+TXV	AMEH960603BXA*	23,000	17,200	15.20	12.50	750	6945056
	CA*F3636*6D*	G*E80603B*B*	23,600	17,700	15.00	12.50	850	5986685
	CA*F3636*6D*	G*VC80604B*B*	23,600	17,700	15.00	12.50	750	5986689
	CA*F3636*6D*	G*VC80805C*B*	23,600	17,700	15.00	12.50	800	5986694
	CA*F3636*6D*	G*VC81005C*B*	23,600	17,700	15.00	12.50	750	5986700
	CA*F3636*6D*	G*VC950453BXB*	23,600	17,700	15.00	12.50	760	5986706
	CA*F3636*6D*	G*VC950704CXB*	23,600	17,700	15.00	12.50	750	5986712
	CA*F3636*6D*	G*VC950714CXB*	23,600	17,700	15.00	12.50	740	5986720
	CA*F3636*6D*	G*VC950905CXB*	23,600	17,700	15.00	12.50	750	5986723
	CA*F3636*6D*	G*VC950905DXB*	23,600	17,700	15.00	12.50	750	5986728
	CA*F3636*6D*	G*VC950915DXB*	23,600	17,700	15.00	12.50	750	5986729
	CA*F3636*6D*	G*VM960603BXB*	23,600	17,700	15.00	12.50	800	5986730
	CA*F3636*6D*	G*VM960604CXB*	23,600	17,700	15.00	12.50	660	5986734
	CA*F3636*6D*	G*VM960805CXB*	23,600	17,700	15.00	12.50	740	5986739
	CA*F3636*6D*	G*VM960805DXB*	23,600	17,700	15.00	12.50	750	5986743
	CA*F3636*6D*	GME950403BXA*	23,600	17,700	15.50	12.50	770	5986746
	CA*F3636*6D*	GME950603BXA*	23,600	17,700	14.50	12.00	750	5986749
	CA*F3636*6D*	A*VC80604B*B*	23,600	17,700	15.00	12.50	750	5987136
	CA*F3636*6D*	A*VC80805C*B*	23,600	17,700	15.00	12.50	800	5987143
	CA*F3636*6D*	A*VC81005C*B*	23,600	17,700	15.00	12.50	750	5987151
	CA*F3636*6D*	A*VC950453BXB*	23,600	17,700	15.00	12.50	760	5987158
	CA*F3636*6D*	A*VC950704CXB*	23,600	17,700	15.00	12.50	750	5987165
	CA*F3636*6D*	A*VC950714CXB*	23,600	17,700	15.00	12.50	740	5987174
	CA*F3636*6D*	A*VC950905CXB*	23,600	17,700	15.00	12.50	750	5987177
	CA*F3636*6D*	A*VC950905DXB*	23,600	17,700	15.00	12.50	750	5987183
	CA*F3636*6D*	A*VC950915DXB*	23,600	17,700	15.00	12.50	750	5987184
	CA*F3636*6D*	A*VM960603BXB*	23,600	17,700	15.00	12.50	800	5987185
	CA*F3636*6D*	A*VM960604CXB*	23,600	17,700	15.00	12.50	660	5987190
	CA*F3636*6D*	A*VM960805CXB*	23,600	17,700	15.00	12.50	740	5987195
	CA*F3636*6D*	A*VM960805DXB*	23,600	17,700	15.00	12.50	750	5987200
	CA*F3636*6D*	A*EH800603B*A*	23,600	17,700	15.00	12.50	850	6945057
	CA*F3636*6D*	AMEH960403BXA*	23,600	17,700	15.50	12.50	770	6945058
	CA*F3636*6D*	AMEH960603BXA*	23,600	17,700	14.50	12.00	750	6945059
	CA*F3636*6D*+EEP		23,600	17,700	14.00	12.00	750	5986675
	CA*F3636*6D*+EEP+TXV		23,600	17,700	14.50	12.00	750	5753020
CA*F3636*6D*+MBVC1200**-1A*		23,600	17,700	15.50	12.50	725	5986676	
CA*F3636*6D*+MBVC1200**-1A*+TXV		23,600	17,700	16.00	13.00	725	5983399	
CA*F3636*6D*+TXV	G*E80603B*B*	24,000	18,000	16.00	13.00	750	5753024	
CA*F3636*6D*+TXV	GME950603BXA*	24,000	18,000	16.00	13.00	750	5753026	
CA*F3636*6D*+TXV	G*VC80604B*B*	23,600	17,700	15.50	12.50	750	5983409	
CA*F3636*6D*+TXV	G*VC80805C*B*	23,600	17,700	15.50	12.50	800	5983415	
CA*F3636*6D*+TXV	G*VC81005C*B*	23,600	17,700	15.50	12.50	750	5983421	
CA*F3636*6D*+TXV	G*VC950453BXB*	23,600	17,700	15.50	12.50	760	5983426	
CA*F3636*6D*+TXV	G*VC950704CXB*	23,600	17,700	15.50	12.50	750	5983431	
CA*F3636*6D*+TXV	G*VC950714CXB*	23,600	17,700	15.50	12.50	740	5983436	

See Notes on Page 42.

OUTDOOR UNIT	INDOOR UNITS		COOLING RATINGS				CFM	AHRI #
	COILS/AIR HANDLERS	FURNACES	TOTAL ¹	SENS. ¹	SEER ²	EER ³		
GSX16 0241F* (cont.)	CA*F3636*6D*+TXV	G*VC950905CXB*	23,600	17,700	15.50	12.50	750	5983438
	CA*F3636*6D*+TXV	G*VM960603BXB*	23,600	17,700	15.50	12.50	800	5983443
	CA*F3636*6D*+TXV	G*VM960805CXB*	23,600	17,700	15.50	12.50	740	5983448
	CA*F3636*6D*+TXV	ADV80805C*B*	23,600	17,700	16.00	13.00	730	5983453
	CA*F3636*6D*+TXV	GME950403BXA*	23,600	17,700	15.50	12.50	770	5983455
	CA*F3636*6D*+TXV	A*VC80604B*B*	23,600	17,700	15.50	12.50	750	5983862
	CA*F3636*6D*+TXV	A*VC80805C*B*	23,600	17,700	15.50	12.50	800	5983866
	CA*F3636*6D*+TXV	A*VC81005C*B*	23,600	17,700	15.50	12.50	750	5983870
	CA*F3636*6D*+TXV	A*VC950453BXB*	23,600	17,700	15.50	12.50	760	5983874
	CA*F3636*6D*+TXV	A*VC950704CXB*	23,600	17,700	15.50	12.50	750	5983878
	CA*F3636*6D*+TXV	A*VC950714CXB*	23,600	17,700	15.50	12.50	740	5983882
	CA*F3636*6D*+TXV	A*VC950905CXB*	23,600	17,700	15.50	12.50	750	5983884
	CA*F3636*6D*+TXV	A*VM960603BXB*	23,600	17,700	15.50	12.50	800	5983888
	CA*F3636*6D*+TXV	A*VM960805CXB*	23,600	17,700	15.50	12.50	740	5983892
	CA*F3636*6D*+TXV	A*EH800603B*A*	24,000	18,000	16.00	13.00	750	6945060
	CA*F3636*6D*+TXV	AMEH960403BXA*	23,600	17,700	15.50	12.50	770	6945061
	CA*F3636*6D*+TXV	AMEH960603BXA*	24,000	18,000	16.00	13.00	750	6945062
	CA*F3642*6D*	G*VC81005C*B*	23,600	17,700	15.50	12.50	750	5986701
	CA*F3642*6D*	G*VC950704CXB*	23,600	17,700	15.50	12.50	750	5986713
	CA*F3642*6D*	G*VC950714CXB*	23,600	17,700	15.50	12.50	740	5986721
	CA*F3642*6D*	G*VM960604CXB*	23,600	17,700	15.50	12.50	660	5986735
	CA*F3642*6D*	ADV81005C*B*	23,600	17,700	15.50	12.50	780	5986744
	CA*F3642*6D*	GME950603BXA*	23,400	17,500	15.50	12.50	750	5986750
	CA*F3642*6D*	A*VC81005C*B*	23,600	17,700	15.50	12.50	750	5987152
	CA*F3642*6D*	A*VC950704CXB*	23,600	17,700	15.50	12.50	750	5987166
	CA*F3642*6D*	A*VC950714CXB*	23,600	17,700	15.50	12.50	740	5987175
	CA*F3642*6D*	A*VM960604CXB*	23,600	17,700	15.50	12.50	660	5987191
	CA*F3642*6D*	AMEH960603BXA*	23,400	17,500	15.50	12.50	750	6945063
	CA*F3642*6D*+EEP		24,000	18,000	14.00	12.00	750	5986677
	CA*F3642*6D*+TXV	GME950603BXA*	23,400	17,500	15.50	12.50	750	5983460
	CA*F3642*6D*+TXV	AMEH960603BXA*	23,400	17,500	15.50	12.50	750	6945064
	CA*F3743*6D*	G*VC80604B*B*	23,600	17,700	15.50	12.50	750	5986690
	CA*F3743*6D*	G*VC80805C*B*	23,600	17,700	15.50	12.50	800	5986695
	CA*F3743*6D*	G*VC81005C*B*	23,600	17,700	15.50	12.50	750	5986702
	CA*F3743*6D*	G*VC950453BXB*	23,600	17,700	15.50	12.50	760	5986707
	CA*F3743*6D*	G*VC950704CXB*	23,600	17,700	15.50	12.50	750	5986714
	CA*F3743*6D*	G*VC950714CXB*	23,600	17,700	15.50	12.50	740	5986722
	CA*F3743*6D*	G*VC950905CXB*	23,600	17,700	15.00	12.50	750	5986724
	CA*F3743*6D*	G*VM960603BXB*	23,600	17,700	15.50	12.50	800	5986731
	CA*F3743*6D*	G*VM960604CXB*	23,600	17,700	15.50	12.50	660	5986736
	CA*F3743*6D*	G*VM960805CXB*	23,600	17,700	15.50	12.50	740	5986740
	CA*F3743*6D*	GME950603BXA*	23,600	17,700	15.00	12.50	750	5986751
	CA*F3743*6D*	A*VC80604B*B*	23,600	17,700	15.50	12.50	750	5987137
	CA*F3743*6D*	A*VC80805C*B*	23,600	17,700	15.50	12.50	800	5987144
	CA*F3743*6D*	A*VC81005C*B*	23,600	17,700	15.50	12.50	750	5987153
	CA*F3743*6D*	A*VC950453BXB*	23,600	17,700	15.50	12.50	760	5987159
	CA*F3743*6D*	A*VC950704CXB*	23,600	17,700	15.50	12.50	750	5987167
CA*F3743*6D*	A*VC950714CXB*	23,600	17,700	15.50	12.50	740	5987176	
CA*F3743*6D*	A*VC950905CXB*	23,600	17,700	15.00	12.50	750	5987178	
CA*F3743*6D*	A*VM960603BXB*	23,600	17,700	15.50	12.50	800	5987186	
CA*F3743*6D*	A*VM960604CXB*	23,600	17,700	15.50	12.50	660	5987192	
CA*F3743*6D*	A*VM960805CXB*	23,600	17,700	15.50	12.50	740	5987196	
CA*F3743*6D*	AMEH960603BXA*	23,600	17,700	15.00	12.50	750	6945065	
CA*F3743*6D*+EEP		24,000	18,000	14.00	12.00	750	5986678	
CA*F3743*6D*+EEP+TXV		24,000	18,000	15.00	12.50	700	5753021	
CA*F3743*6D*+TXV	G*VC80604B*B*	23,600	17,700	16.00	13.00	750	5983410	

See Notes on Page 42.

OUTDOOR UNIT	INDOOR UNITS		COOLING RATINGS				CFM	AHRI #
	COILS/AIR HANDLERS	FURNACES	TOTAL ¹	SENS. ¹	SEER ²	EER ³		
GSX16 0241F* (cont.)	CA*F3743*6D*+TXV	G*VC80805C*B*	23,600	17,700	16.00	13.00	800	5983416
	CA*F3743*6D*+TXV	G*VC81005C*B*	23,600	17,700	16.00	13.00	750	5983422
	CA*F3743*6D*+TXV	G*VC950453BXB*	23,600	17,700	16.00	13.00	760	5983427
	CA*F3743*6D*+TXV	G*VC950704CXB*	23,600	17,700	16.00	13.00	750	5983432
	CA*F3743*6D*+TXV	G*VC950714CXB*	23,600	17,700	16.00	13.00	740	5983437
	CA*F3743*6D*+TXV	G*VC950905CXB*	23,600	17,700	16.00	13.00	750	5983439
	CA*F3743*6D*+TXV	G*VM960603BXB*	23,600	17,700	16.00	13.00	800	5983444
	CA*F3743*6D*+TXV	G*VM960604CXB*	23,600	17,700	16.00	13.00	660	5983447
	CA*F3743*6D*+TXV	G*VM960805CXB*	23,600	17,700	16.00	13.00	740	5983449
	CA*F3743*6D*+TXV	ADVC80603B*B*	23,600	17,700	16.00	13.00	800	5983452
	CA*F3743*6D*+TXV	GME950403BXA*	23,600	17,700	16.00	13.00	770	5983456
	CA*F3743*6D*+TXV	GME950603BXA*	23,600	17,700	15.50	12.50	750	5983461
	CA*F3743*6D*+TXV	A*VC80604B*B*	23,600	17,700	16.00	13.00	750	5983863
	CA*F3743*6D*+TXV	A*VC80805C*B*	23,600	17,700	16.00	13.00	800	5983867
	CA*F3743*6D*+TXV	A*VC81005C*B*	23,600	17,700	16.00	13.00	750	5983871
	CA*F3743*6D*+TXV	A*VC950453BXB*	23,600	17,700	16.00	13.00	760	5983875
	CA*F3743*6D*+TXV	A*VC950704CXB*	23,600	17,700	16.00	13.00	750	5983879
	CA*F3743*6D*+TXV	A*VC950714CXB*	23,600	17,700	16.00	13.00	740	5983883
	CA*F3743*6D*+TXV	A*VC950905CXB*	23,600	17,700	16.00	13.00	750	5983885
	CA*F3743*6D*+TXV	A*VM960603BXB*	23,600	17,700	16.00	13.00	800	5983889
	CA*F3743*6D*+TXV	A*VM960604CXB*	23,600	17,700	16.00	13.00	660	5983891
	CA*F3743*6D*+TXV	A*VM960805CXB*	23,600	17,700	16.00	13.00	740	5983893
	CA*F3743*6D*+TXV	AMEH960403BXA*	23,600	17,700	16.00	13.00	770	6945066
	CA*F3743*6D*+TXV	AMEH960603BXA*	23,600	17,700	15.50	12.50	750	6945067
	CAPT3131*4A*	G*E80603B*B*	23,000	17,200	15.20	12.50	850	5983406
	CAPT3131*4A*	G*VC80604B*B*	23,000	17,200	15.20	12.50	750	5983411
	CAPT3131*4A*	G*VC80805C*B*	23,000	17,200	15.20	12.50	800	5983417
	CAPT3131*4A*	G*VC81005C*B*	23,000	17,200	15.20	12.50	750	5983423
	CAPT3131*4A*	GME950403BXA*	23,000	17,200	15.20	12.50	770	5983457
	CAPT3131*4A*	GME950603BXA*	23,000	17,200	15.20	12.50	750	5983462
	CAPT3131*4A*	A*VC80604B*B*	23,000	17,200	15.20	12.50	750	5987138
	CAPT3131*4A*	A*VC80805C*B*	23,000	17,200	15.20	12.50	800	5987145
	CAPT3131*4A*	A*VC81005C*B*	23,000	17,200	15.20	12.50	750	5987154
	CAPT3131*4A*	G*VC950714CXB*	23,200	17,400	15.00	12.50	775	6345867
	CAPT3131*4A*	A*VC950714CXB*	23,200	17,400	15.00	12.50	775	6345868
	CAPT3131*4A*	G*VM960604CXB*	23,200	17,400	15.00	12.50	800	6345869
	CAPT3131*4A*	A*VM960604CXB*	23,200	17,400	15.00	12.50	800	6345870
	CAPT3131*4A*	G*VC950453BXB*	23,200	17,400	14.50	12.00	800	6345871
	CAPT3131*4A*	A*VC950453BXB*	23,200	17,400	14.50	12.00	800	6345872
	CAPT3131*4A*	G*VC950704CXB*	23,200	17,400	15.00	12.50	725	6345873
	CAPT3131*4A*	A*VC950704CXB*	23,200	17,400	15.00	12.50	725	6345874
	CAPT3131*4A*	G*VM960603BXB*	23,200	17,400	15.00	12.50	800	6345875
	CAPT3131*4A*	A*VM960603BXB*	23,200	17,400	15.00	12.50	800	6345876
	CAPT3131*4A*	ADVC80603B*B*	23,200	17,400	15.00	12.50	800	6345877
	CAPT3131*4A*	A*EH800603B*A*	23,000	17,200	15.20	12.50	850	6945068
	CAPT3131*4A*	AMEH960403BXA*	23,000	17,200	15.20	12.50	770	6945069
	CAPT3131*4A*	AMEH960603BXA*	23,000	17,200	15.20	12.50	750	6945070
	CAPT3131*4A*+EEP		23,000	17,200	14.00	12.00	750	5983400
	CAPT3131*4A*+MBVC1200**-1A*		23,000	17,200	15.50	12.50	725	6345878
	CAPT3743*4A*+EEP		24,000	18,000	14.50	12.00	750	5983401
CHPF2430B6C*	G*E80603B*B*	23,000	17,200	14.50	12.00	850	5986686	
CHPF2430B6C*	G*VC80604B*B*	23,000	17,200	14.50	12.00	750	5986691	
CHPF2430B6C*	G*VC80805C*B*	23,000	17,200	14.50	12.00	800	5986696	
CHPF2430B6C*	G*VC81005C*B*	23,000	17,200	14.50	12.00	750	5986703	
CHPF2430B6C*	A*VC80604B*B*	23,000	17,200	14.50	12.00	750	5987139	
CHPF2430B6C*	A*VC80805C*B*	23,000	17,200	14.50	12.00	800	5987146	
CHPF2430B6C*	A*VC81005C*B*	23,000	17,200	14.50	12.00	750	5987155	

See Notes on Page 42.

OUTDOOR UNIT	INDOOR UNITS		COOLING RATINGS				CFM	AHRI #
	COILS/AIR HANDLERS	FURNACES	TOTAL ¹	SENS. ¹	SEER ²	EER ³		
GSX16 0241F* (cont.)	CHPF2430B6C*	A*EH800603B*A*	23,000	17,200	14.50	12.00	850	6945071
	CHPF2430B6C*+TXV	G*E80603B*B*	23,000	17,200	15.00	12.50	850	5983407
	CHPF2430B6C*+TXV	G*VC80604B*B*	23,000	17,200	15.00	12.50	750	5983412
	CHPF2430B6C*+TXV	G*VC80805C*B*	23,000	17,200	15.20	12.50	800	5983418
	CHPF2430B6C*+TXV	G*VC81005C*B*	23,000	17,200	15.00	12.50	750	5983424
	CHPF2430B6C*+TXV	A*VC80604B*B*	23,000	17,200	15.00	12.50	750	5983864
	CHPF2430B6C*+TXV	A*VC80805C*B*	23,000	17,200	15.20	12.50	800	5983868
	CHPF2430B6C*+TXV	A*VC81005C*B*	23,000	17,200	15.00	12.50	750	5983872
	CHPF2430B6C*+TXV	A*EH800603B*A*	23,000	17,200	15.00	12.50	850	6945072
	CHPF3636B6C*	G*E80603B*B*	23,600	17,700	15.50	12.50	850	5986687
	CHPF3636B6C*	G*VC80604B*B*	23,600	17,700	15.00	12.50	750	5986692
	CHPF3636B6C*	G*VC80805C*B*	23,600	17,700	15.00	12.50	800	5986697
	CHPF3636B6C*	G*VC81005C*B*	23,600	17,700	15.00	12.50	750	5986704
	CHPF3636B6C*	G*VC950453BxB*	23,600	17,700	14.50	12.00	760	5986708
	CHPF3636B6C*	G*VC950704CXB*	23,600	17,700	14.50	12.00	750	5986715
	CHPF3636B6C*	G*VC950905CXB*	23,600	17,700	14.50	12.00	750	5986725
	CHPF3636B6C*	G*VM960603BxB*	23,600	17,700	14.50	12.00	800	5986732
	CHPF3636B6C*	G*VM960604CXB*	23,600	17,700	15.00	12.50	660	5986737
	CHPF3636B6C*	G*VM960805CXB*	23,600	17,700	15.00	12.50	740	5986741
	CHPF3636B6C*	GME950403BXA*	23,600	17,700	15.00	12.50	770	5986747
	CHPF3636B6C*	GME950603BXA*	23,600	17,700	15.50	12.50	750	5986752
	CHPF3636B6C*	A*VC80604B*B*	23,600	17,700	15.00	12.50	750	5987140
	CHPF3636B6C*	A*VC80805C*B*	23,600	17,700	15.00	12.50	800	5987147
	CHPF3636B6C*	A*VC81005C*B*	23,600	17,700	15.00	12.50	750	5987156
	CHPF3636B6C*	A*VC950453BxB*	23,600	17,700	14.50	12.00	760	5987160
	CHPF3636B6C*	A*VC950704CXB*	23,600	17,700	14.50	12.00	750	5987168
	CHPF3636B6C*	A*VC950905CXB*	23,600	17,700	14.50	12.00	750	5987179
	CHPF3636B6C*	A*VM960603BxB*	23,600	17,700	14.50	12.00	800	5987187
	CHPF3636B6C*	A*VM960604CXB*	23,600	17,700	15.00	12.50	660	5987193
	CHPF3636B6C*	A*VM960805CXB*	23,600	17,700	15.00	12.50	740	5987197
	CHPF3636B6C*	A*EH800603B*A*	23,600	17,700	15.50	12.50	850	6945073
	CHPF3636B6C*	AMEH960403BXA*	23,600	17,700	15.00	12.50	770	6945074
	CHPF3636B6C*	AMEH960603BXA*	23,600	17,700	15.50	12.50	750	6945075
	CHPF3636B6C*+EEP		23,600	17,700	14.00	12.00	750	5986679
	CHPF3636B6C*+EEP+TXV		23,600	17,700	14.50	12.00	750	5753022
	CHPF3636B6C*+MBVC1200** -1A*		23,600	17,700	15.50	12.50	725	5986680
	CHPF3636B6C*+MBVC1200** -1A*+TXV		23,600	17,700	16.00	13.00	725	5983402
	CHPF3636B6C*+TXV	G*E80603B*B*	24,000	18,000	16.00	13.00	750	5753025
	CHPF3636B6C*+TXV	GME950603BXA*	24,000	18,000	16.00	13.00	750	5753027
	CHPF3636B6C*+TXV	G*VC80604B*B*	23,600	17,700	15.50	12.50	750	5983413
	CHPF3636B6C*+TXV	G*VC80805C*B*	23,600	17,700	16.00	13.00	800	5983419
	CHPF3636B6C*+TXV	G*VC81005C*B*	23,600	17,700	15.50	12.50	750	5983425
CHPF3636B6C*+TXV	G*VC950453BxB*	23,600	17,700	15.00	12.50	760	5983428	
CHPF3636B6C*+TXV	G*VC950704CXB*	23,600	17,700	15.00	12.50	750	5983433	
CHPF3636B6C*+TXV	G*VC950905CXB*	23,600	17,700	15.00	12.50	750	5983440	
CHPF3636B6C*+TXV	G*VM960603BxB*	23,600	17,700	15.00	12.50	800	5983445	
CHPF3636B6C*+TXV	G*VM960805CXB*	23,600	17,700	15.50	12.50	740	5983450	
CHPF3636B6C*+TXV	GME950403BXA*	23,600	17,700	15.50	12.50	770	5983458	
CHPF3636B6C*+TXV	A*VC80604B*B*	23,600	17,700	15.50	12.50	750	5983865	
CHPF3636B6C*+TXV	A*VC80805C*B*	23,600	17,700	16.00	13.00	800	5983869	
CHPF3636B6C*+TXV	A*VC81005C*B*	23,600	17,700	15.50	12.50	750	5983873	
CHPF3636B6C*+TXV	A*VC950453BxB*	23,600	17,700	15.00	12.50	760	5983876	
CHPF3636B6C*+TXV	A*VC950704CXB*	23,600	17,700	15.00	12.50	750	5983880	
CHPF3636B6C*+TXV	A*VC950905CXB*	23,600	17,700	15.00	12.50	750	5983886	
CHPF3636B6C*+TXV	A*VM960603BxB*	23,600	17,700	15.00	12.50	800	5983890	
CHPF3636B6C*+TXV	A*VM960805CXB*	23,600	17,700	15.50	12.50	740	5983894	
CHPF3636B6C*+TXV	A*EH800603B*A*	24,000	18,000	16.00	13.00	750	6945076	

See Notes on Page 42.

OUTDOOR UNIT	INDOOR UNITS		COOLING RATINGS				CFM	AHRI #
	COILS/AIR HANDLERS	FURNACES	TOTAL ¹	SENS. ¹	SEER ²	EER ³		
GSX16 0241F* (cont.)	CHPF3636B6C*+TXV	AMEH960403BXA*	23,600	17,700	15.50	12.50	770	6945077
	CHPF3636B6C*+TXV	AMEH960603BXA*	24,000	18,000	16.00	13.00	750	6945078
	CHPF3642C6C*	G*VC80805C*B*	23,600	17,700	15.00	12.50	800	5986698
	CHPF3642C6C*	G*VC81005C*B*	23,600	17,700	15.00	12.50	750	5986705
	CHPF3642C6C*	G*VC950704CXB*	23,600	17,700	15.00	12.50	750	5986716
	CHPF3642C6C*	G*VM960604CXB*	23,600	17,700	15.00	12.50	660	5986738
	CHPF3642C6C*	GME950603BXA*	23,600	17,700	15.00	12.50	750	5986753
	CHPF3642C6C*	A*VC80805C*B*	23,600	17,700	15.00	12.50	800	5987148
	CHPF3642C6C*	A*VC81005C*B*	23,600	17,700	15.00	12.50	750	5987157
	CHPF3642C6C*	A*VC950704CXB*	23,600	17,700	15.00	12.50	750	5987169
	CHPF3642C6C*	A*VM960604CXB*	23,600	17,700	15.00	12.50	660	5987194
	CHPF3642C6C*	AMEH960603BXA*	23,600	17,700	15.00	12.50	750	6945079
	CHPF3642C6C*+TXV	GME950603BXA*	23,600	17,700	15.50	12.50	750	5983463
	CHPF3642C6C*+TXV	G*VC950704CXB*	23,600	17,700	16.00	13.00	750	6331605
	CHPF3642C6C*+TXV	AMEH960603BXA*	23,600	17,700	15.50	12.50	750	6945080
	CHPF3743C6B*	G*VC950453BXB*	23,600	17,700	15.00	12.50	760	5986709
	CHPF3743C6B*	G*VC950704CXB*	23,600	17,700	15.00	12.50	750	5986717
	CHPF3743C6B*	G*VC950905CXB*	23,600	17,700	15.50	12.50	750	5986726
	CHPF3743C6B*	G*VM960603BXB*	23,600	17,700	15.50	12.50	800	5986733
	CHPF3743C6B*	G*VM960805CXB*	23,600	17,700	15.50	12.50	740	5986742
	CHPF3743C6B*	A*VC950453BXB*	23,600	17,700	15.00	12.50	760	5987161
	CHPF3743C6B*	A*VC950704CXB*	23,600	17,700	15.00	12.50	750	5987170
	CHPF3743C6B*	A*VC950905CXB*	23,600	17,700	15.50	12.50	750	5987180
	CHPF3743C6B*	A*VM960603BXB*	23,600	17,700	15.50	12.50	800	5987188
	CHPF3743C6B*	A*VM960805CXB*	23,600	17,700	15.50	12.50	740	5987198
	CHPF3743C6B*+EEP		23,600	17,700	14.50	12.00	750	5986681
	CHPF3743C6B*+EEP+TXV		24,000	18,000	15.00	12.50	750	5753023
	CHPF3743C6B*+TXV	A*VC950453BXB*	23,600	17,700	15.50	12.50	760	6079818
	CHPF3743C6B*+TXV	A*VC950704CXB*	23,600	17,700	15.50	12.50	750	6079819
	CHPF3743C6B*+TXV	A*VC950905CXB*	23,600	17,700	16.00	13.00	750	6079820
	CHPF3743C6B*+TXV	G*VC950453BXB*	23,600	17,700	15.50	12.50	760	6079821
	CHPF3743C6B*+TXV	G*VC950704CXB*	23,600	17,700	15.50	12.50	750	6079822
	CHPF3743C6B*+TXV	G*VC950905CXB*	23,600	17,700	16.00	13.00	750	6079823
	CHPF3743C6B*+TXV	A*VM960603BXB*	23,600	17,700	15.50	12.50	800	6079869
	CHPF3743C6B*+TXV	A*VM960805CXB*	23,600	17,700	15.50	12.50	740	6079870
	CHPF3743C6B*+TXV	G*VM960603BXB*	23,600	17,700	15.50	12.50	800	6079871
	CHPF3743C6B*+TXV	G*VM960805CXB*	23,600	17,700	15.50	12.50	740	6079872
	CSCF3036N6D*	G*VC950453BXB*	23,400	17,500	15.00	12.50	760	5986710
	CSCF3036N6D*	G*VC950704CXB*	23,400	17,500	15.00	12.50	750	5986718
	CSCF3036N6D*	A*VC950453BXB*	23,400	17,500	15.00	12.50	760	5987163
	CSCF3036N6D*	A*VC950704CXB*	23,400	17,500	15.00	12.50	750	5987172
	CSCF3036N6D*+EEP		23,400	17,500	14.00	12.00	750	5986682
	CSCF3036N6D*+EEP+TXV		23,400	17,500	14.50	12.00	750	5983403
	CSCF3642N6D*	G*VC950453BXB*	23,400	17,500	14.50	12.00	760	5986711
	CSCF3642N6D*	G*VC950704CXB*	23,400	17,500	14.00	11.50	750	5986719
CSCF3642N6D*	G*VC950905CXB*	23,400	17,500	15.00	12.50	750	5986727	
CSCF3642N6D*	A*VC950453BXB*	23,400	17,500	14.50	12.00	760	5987164	
CSCF3642N6D*	A*VC950704CXB*	23,400	17,500	14.00	11.50	750	5987173	
CSCF3642N6D*	A*VC950905CXB*	23,400	17,500	15.00	12.50	750	5987182	
CSCF3642N6D*+EEP		23,400	17,500	14.50	12.00	750	5986683	
CSCF3642N6D*+EEP+TXV		23,400	17,500	14.50	12.00	750	5983404	
CSCF3642N6D*+TXV	G*VC950453BXB*	23,400	17,500	15.00	12.50	760	5983430	
CSCF3642N6D*+TXV	G*VC950704CXB*	23,400	17,500	15.50	12.50	750	5983435	
CSCF3642N6D*+TXV	G*VC950905CXB*	23,400	17,500	15.50	12.50	750	5983442	
CSCF3642N6D*+TXV	A*VC950453BXB*	23,400	17,500	15.00	12.50	760	5983877	
CSCF3642N6D*+TXV	A*VC950704CXB*	23,400	17,500	15.50	12.50	750	5983881	
CSCF3642N6D*+TXV	A*VC950905CXB*	23,400	17,500	15.50	12.50	750	5983887	

See Notes on Page 42.

OUTDOOR UNIT	INDOOR UNITS		COOLING RATINGS				CFM	AHRI #
	COILS/AIR HANDLERS	FURNACES	TOTAL ¹	SENS. ¹	SEER ²	EER ³		
GSX16 0301F*	ACNF30XX16D*		27,000	20,600	14.00	12.00	850	6107306
	ARPT36C14A*		28,000	21,400	13.50	11.50	1,050	6107334
	ARUF30C14B*+TXV		28,000	21,400	13.50	12.00	1,020	6155148
	ARUF36C14B*		28,000	21,400	13.50	11.50	1,000	6107335
	ARUF36C14B*+TXV		28,000	21,400	13.50	11.50	1,000	6107336
	ASPT30C14A*		27,600	21,000	16.00	13.00	850	5756173
	ASPT36C14A*		28,000	21,400	16.00	13.00	900	5756174
	ASUF39C14A*		29,000	22,200	14.50	12.00	900	5986754
	ASUF39C14A*+TXV		29,000	22,200	15.00	12.50	900	5983464
	AVPTC30C14A*		27,600	21,000	16.00	13.00	860	5924354
	AVPTC36C14A*		28,000	21,400	16.00	13.00	1,000	5924355
	AWUF31XX16A*		28,000	21,400	15.00	12.50	850	5753209
	AWUF31XX16A*+TXV		28,000	21,400	15.00	12.50	850	5753079
	AWUF32XX16A*		28,000	21,400	15.00	12.50	850	5753210
	AWUF32XX16A*+TXV		28,000	21,400	15.00	12.50	850	5753080
	AWUF36XX16B*+TXV		28,400	21,600	14.00	12.00	1,000	6514963
	AWUF37XX16B*		28,400	21,600	15.00	12.50	950	5753211
	AWUF37XX16B*+TXV		28,400	21,600	15.00	12.50	950	5753081
	CA*F3636*6D*	G*VC80604B*B*	28,400	21,600	15.00	12.50	1,000	5986768
	CA*F3636*6D*	G*VC950704CXB*	28,400	21,600	14.50	12.00	900	5986779
	CA*F3636*6D*	G*VC950714CXB*	28,400	21,600	14.50	12.00	1,000	5986785
	CA*F3636*6D*	G*VM960603BXB*	28,400	21,600	15.00	12.50	990	5986804
	CA*F3636*6D*	G*VM960604CXB*	28,400	21,600	14.50	12.00	860	5986807
	CA*F3636*6D*	GME950603BXA*	28,400	21,600	14.00	12.00	1,000	5986832
	CA*F3636*6D*	A*VC80604B*B*	28,400	21,600	15.00	12.50	1,000	5987201
	CA*F3636*6D*	A*VC950704CXB*	28,400	21,600	14.50	12.00	900	5987212
	CA*F3636*6D*	A*VC950714CXB*	28,400	21,600	14.50	12.00	1,000	5987218
	CA*F3636*6D*	A*VM960603BXB*	28,400	21,600	15.00	12.50	990	5987237
	CA*F3636*6D*	A*VM960604CXB*	28,400	21,600	14.50	12.00	860	5987240
	CA*F3636*6D*	AMEH960603BXA*	28,400	21,600	14.00	12.00	1,000	6945081
	CA*F3636*6D*+EEP+TXV		28,400	21,600	14.00	12.00	1,000	5983465
	CA*F3636*6D*+MBVC1200**-1A*		28,400	21,600	14.50	12.00	910	5986755
	CA*F3636*6D*+MBVC1200**-1A*+TXV		28,400	21,600	15.00	12.50	910	5983466
	CA*F3636*6D*+TXV	G*VC80604B*B*	28,400	21,600	15.00	12.50	1,000	5983485
	CA*F3636*6D*+TXV	G*VC950453BXB*	28,400	21,600	15.00	12.50	1,000	5983497
	CA*F3636*6D*+TXV	G*VC950704CXB*	28,400	21,600	15.00	12.50	900	5983501
	CA*F3636*6D*+TXV	GME950403BXA*	28,400	21,600	15.00	12.50	990	5983553
	CA*F3636*6D*+TXV	GME950603BXA*	28,400	21,600	14.50	12.00	1,000	5983557
	CA*F3636*6D*+TXV	A*VC80604B*B*	28,400	21,600	15.00	12.50	1,000	5983895
	CA*F3636*6D*+TXV	A*VC950453BXB*	28,400	21,600	15.00	12.50	1,000	5983907
	CA*F3636*6D*+TXV	A*VC950704CXB*	28,400	21,600	15.00	12.50	900	5983911
	CA*F3636*6D*+TXV	AMEH960403BXA*	28,400	21,600	15.00	12.50	990	6945082
	CA*F3636*6D*+TXV	AMEH960603BXA*	28,400	21,600	14.50	12.00	1,000	6945083
	CA*F3642*6D*	G*VC80805C*B*	28,600	21,800	15.00	12.50	980	5986770
	CA*F3642*6D*	G*VC81005C*B*	28,600	21,800	15.00	12.50	1,000	5986774
	CA*F3642*6D*	G*VC950704CXB*	28,600	21,800	15.00	12.50	900	5986780
	CA*F3642*6D*	G*VC950714CXB*	28,600	21,800	15.00	12.50	1,000	5986786
	CA*F3642*6D*	G*VC950905CXB*	28,600	21,800	15.00	12.50	900	5986790
	CA*F3642*6D*	G*VC950905DXB*	28,600	21,800	15.00	12.50	1,000	5986794
	CA*F3642*6D*	G*VC950915DXB*	28,600	21,800	15.00	12.50	1,000	5986797
CA*F3642*6D*	G*VC951155DXB*	28,600	21,800	15.00	12.50	900	5986800	
CA*F3642*6D*	G*VM960604CXB*	28,600	21,800	15.00	12.50	860	5986808	
CA*F3642*6D*	G*VM960805CXB*	28,600	21,800	15.00	12.50	980	5986812	
CA*F3642*6D*	G*VM960805DXB*	28,600	21,800	15.00	12.50	1,000	5986816	
CA*F3642*6D*	G*VM961005DXB*	28,600	21,800	14.50	12.00	900	5986820	
CA*F3642*6D*	G*VM961155DXB*	28,600	21,800	14.50	12.00	1,000	5986824	

See Notes on Page 42.

OUTDOOR UNIT	INDOOR UNITS		COOLING RATINGS				CFM	AHRI #
	COILS/AIR HANDLERS	FURNACES	TOTAL ¹	SENS. ¹	SEER ²	EER ³		
GSX16 0301F* (cont.)	CA*F3642*6D*	ADVC80805C*B*	28,600	21,800	15.00	12.50	990	5986828
	CA*F3642*6D*	ADVC81005C*B*	28,600	21,800	15.00	12.50	1,000	5986829
	CA*F3642*6D*	GME950603BXA*	28,600	21,800	14.50	12.00	1,000	5986833
	CA*F3642*6D*	A*VC80805C*B*	28,600	21,800	15.00	12.50	980	5987203
	CA*F3642*6D*	A*VC81005C*B*	28,600	21,800	15.00	12.50	1,000	5987207
	CA*F3642*6D*	A*VC950704CXB*	28,600	21,800	15.00	12.50	900	5987213
	CA*F3642*6D*	A*VC950714CXB*	28,600	21,800	15.00	12.50	1,000	5987219
	CA*F3642*6D*	A*VC950905CXB*	28,600	21,800	15.00	12.50	900	5987223
	CA*F3642*6D*	A*VC950905DXB*	28,600	21,800	15.00	12.50	1,000	5987227
	CA*F3642*6D*	A*VC950915DXB*	28,600	21,800	15.00	12.50	1,000	5987230
	CA*F3642*6D*	A*VC951155DXB*	28,600	21,800	15.00	12.50	900	5987233
	CA*F3642*6D*	A*VM960604CXB*	28,600	21,800	15.00	12.50	860	5987241
	CA*F3642*6D*	A*VM960805CXB*	28,600	21,800	15.00	12.50	980	5987245
	CA*F3642*6D*	A*VM960805DXB*	28,600	21,800	15.00	12.50	1,000	5987249
	CA*F3642*6D*	A*VM961005DXB*	28,600	21,800	14.50	12.00	900	5987253
	CA*F3642*6D*	A*VM961155DXB*	28,600	21,800	14.50	12.00	1,000	5987257
	CA*F3642*6D*	AMEH960603BXA*	28,600	21,800	14.50	12.00	1,000	6945084
	CA*F3642*6D*+EEP		28,600	21,800	14.00	12.00	1,000	5986756
	CA*F3642*6D*+TXV	G*E80603B*B*	28,600	21,800	15.00	12.50	1,000	5983475
	CA*F3642*6D*+TXV	G*E80805C*B*	28,600	21,800	15.00	12.50	1,000	5983476
	CA*F3642*6D*+TXV	G*E81005C*B*	28,600	21,800	15.00	12.50	1,000	5983480
	CA*F3642*6D*+TXV	G*VC80805C*B*	28,600	21,800	15.50	12.50	980	5983488
	CA*F3642*6D*+TXV	G*VC81005C*B*	28,600	21,800	15.50	12.50	1,000	5983493
	CA*F3642*6D*+TXV	G*VC950704CXB*	28,600	21,800	15.00	12.50	900	5983502
	CA*F3642*6D*+TXV	G*VC950905CXB*	28,600	21,800	15.50	12.50	900	5983512
	CA*F3642*6D*+TXV	G*VC950905DXB*	28,600	21,800	15.50	12.50	1,000	5983517
	CA*F3642*6D*+TXV	G*VC951155DXB*	28,600	21,800	15.50	12.50	900	5983524
	CA*F3642*6D*+TXV	G*VM960805CXB*	28,600	21,800	15.00	12.50	980	5983531
	CA*F3642*6D*+TXV	G*VM960805DXB*	28,600	21,800	15.00	12.50	1,000	5983536
	CA*F3642*6D*+TXV	G*VM961005DXB*	28,600	21,800	15.00	12.50	900	5983541
	CA*F3642*6D*+TXV	G*VM961155DXB*	28,600	21,800	15.00	12.50	1,000	5983546
	CA*F3642*6D*+TXV	ADVC80805C*B*	28,600	21,800	15.50	12.50	990	5983551
	CA*F3642*6D*+TXV	ADVC81005C*B*	28,600	21,800	15.50	12.50	1,000	5983552
	CA*F3642*6D*+TXV	GME950603BXA*	28,600	21,800	15.00	12.50	1,000	5983558
	CA*F3642*6D*+TXV	A*VC80805C*B*	28,600	21,800	15.50	12.50	980	5983898
	CA*F3642*6D*+TXV	A*VC81005C*B*	28,600	21,800	15.50	12.50	1,000	5983903
	CA*F3642*6D*+TXV	A*VC950704CXB*	28,600	21,800	15.00	12.50	900	5983912
	CA*F3642*6D*+TXV	A*VC950905CXB*	28,600	21,800	15.50	12.50	900	5983922
	CA*F3642*6D*+TXV	A*VC950905DXB*	28,600	21,800	15.50	12.50	1,000	5983927
	CA*F3642*6D*+TXV	A*VC951155DXB*	28,600	21,800	15.50	12.50	900	5983934
	CA*F3642*6D*+TXV	A*VM960805CXB*	28,600	21,800	15.00	12.50	980	5983941
	CA*F3642*6D*+TXV	A*VM960805DXB*	28,600	21,800	15.00	12.50	1,000	5983946
	CA*F3642*6D*+TXV	A*VM961005DXB*	28,600	21,800	15.00	12.50	900	5983951
	CA*F3642*6D*+TXV	A*VM961155DXB*	28,600	21,800	15.00	12.50	1,000	5983956
	CA*F3642*6D*+TXV	A*EH800603B*A*	28,600	21,800	15.00	12.50	1,000	6945085
	CA*F3642*6D*+TXV	A*EH800805C*A*	28,600	21,800	15.00	12.50	1,000	6945086
	CA*F3642*6D*+TXV	A*EH801005C*A*	28,600	21,800	15.00	12.50	1,000	6945087
	CA*F3642*6D*+TXV	AMEH960603BXA*	28,600	21,800	15.00	12.50	1,000	6945088
	CA*F3743*6D*	G*E80805C*B*	28,600	21,800	14.50	12.00	1,000	5986764
	CA*F3743*6D*	G*VC80805C*B*	28,600	21,800	15.50	12.50	980	5986771
CA*F3743*6D*	G*VC81005C*B*	29,000	22,200	15.50	12.50	1,000	5986775	
CA*F3743*6D*	G*VC950453BXB*	28,600	21,800	15.00	12.50	1,000	5986777	
CA*F3743*6D*	G*VC950704CXB*	28,600	21,800	15.50	12.50	900	5986781	
CA*F3743*6D*	G*VC950714CXB*	28,600	21,800	15.50	12.50	1,000	5986787	
CA*F3743*6D*	G*VC950905CXB*	28,600	21,800	15.50	12.50	900	5986791	
CA*F3743*6D*	G*VC950905DXB*	28,600	21,800	15.50	12.50	1,000	5986795	

See Notes on Page 42.

OUTDOOR UNIT	INDOOR UNITS		COOLING RATINGS				CFM	AHRI #
	COILS/AIR HANDLERS	FURNACES	TOTAL ¹	SENS. ¹	SEER ²	EER ³		
GSX16 0301F* (cont.)	CA*F3743*6D*	G*VC950915DXB*	28,600	21,800	15.50	12.50	1,000	5986798
	CA*F3743*6D*	G*VC951155DXB*	28,600	21,800	15.00	12.50	900	5986801
	CA*F3743*6D*	G*VM960603BXB*	28,600	21,800	15.00	12.50	990	5986805
	CA*F3743*6D*	G*VM960604CXB*	28,600	21,800	15.50	12.50	860	5986809
	CA*F3743*6D*	G*VM960805CXB*	28,600	21,800	15.50	12.50	980	5986813
	CA*F3743*6D*	G*VM960805DXB*	28,600	21,800	15.50	12.50	1,000	5986817
	CA*F3743*6D*	G*VM961005DXB*	28,600	21,800	15.50	12.50	900	5986821
	CA*F3743*6D*	G*VM961155DXB*	28,600	21,800	15.50	12.50	1,000	5986825
	CA*F3743*6D*	GME950403BXA*	28,600	21,800	14.50	12.00	990	5986830
	CA*F3743*6D*	GME950805CXA*	28,600	21,800	15.50	12.50	1,070	5986836
	CA*F3743*6D*	A*VC80805C*B*	28,600	21,800	15.50	12.50	980	5987204
	CA*F3743*6D*	A*VC81005C*B*	29,000	22,200	15.50	12.50	1,000	5987208
	CA*F3743*6D*	A*VC950453BXB*	28,600	21,800	15.00	12.50	1,000	5987210
	CA*F3743*6D*	A*VC950704CXB*	28,600	21,800	15.50	12.50	900	5987214
	CA*F3743*6D*	A*VC950714CXB*	28,600	21,800	15.50	12.50	1,000	5987220
	CA*F3743*6D*	A*VC950905CXB*	28,600	21,800	15.50	12.50	900	5987224
	CA*F3743*6D*	A*VC950905DXB*	28,600	21,800	15.50	12.50	1,000	5987228
	CA*F3743*6D*	A*VC950915DXB*	28,600	21,800	15.50	12.50	1,000	5987231
	CA*F3743*6D*	A*VC951155DXB*	28,600	21,800	15.00	12.50	900	5987234
	CA*F3743*6D*	A*VM960603BXB*	28,600	21,800	15.00	12.50	990	5987238
	CA*F3743*6D*	A*VM960604CXB*	28,600	21,800	15.50	12.50	860	5987242
	CA*F3743*6D*	A*VM960805CXB*	28,600	21,800	15.50	12.50	980	5987246
	CA*F3743*6D*	A*VM960805DXB*	28,600	21,800	15.50	12.50	1,000	5987250
	CA*F3743*6D*	A*VM961005DXB*	28,600	21,800	15.50	12.50	900	5987254
	CA*F3743*6D*	A*VM961155DXB*	28,600	21,800	15.50	12.50	1,000	5987258
	CA*F3743*6D*	A*EH800805C*A*	28,600	21,800	14.50	12.00	1,000	6945089
	CA*F3743*6D*	AMEH960403BXA*	28,600	21,800	14.50	12.00	990	6945090
	CA*F3743*6D*	AMEH960805CXA*	28,600	21,800	15.50	12.50	1,070	6945091
	CA*F3743*6D*+EEP+TXV		29,000	22,200	14.50	12.00	1,000	5753028
	CA*F3743*6D*+MBVC1200**-1A*		28,600	21,800	14.50	12.00	910	5990716
	CA*F3743*6D*+MBVC1200**-1A*+TXV		28,600	21,800	15.00	12.50	910	5990717
	CA*F3743*6D*+MBVC1600**-1A*		28,600	21,800	14.50	12.00	945	5986757
	CA*F3743*6D*+MBVC1600**-1A*+TXV		28,600	21,800	15.00	12.50	945	5983467
	CA*F3743*6D*+TXV	G*E80805C*B*	29,000	22,200	16.00	13.00	1,050	5753032
	CA*F3743*6D*+TXV	GME950805CXA*	29,000	22,200	16.00	13.00	1,050	5753034
	CA*F3743*6D*+TXV	G*E81005C*B*	28,600	21,800	15.00	12.50	1,000	5983481
	CA*F3743*6D*+TXV	G*VC80805C*B*	28,600	21,800	16.00	13.00	980	5983489
	CA*F3743*6D*+TXV	G*VC81005C*B*	28,600	21,800	16.00	13.00	1,000	5983494
	CA*F3743*6D*+TXV	G*VC950453BXB*	28,600	21,800	15.50	12.50	1,000	5983498
	CA*F3743*6D*+TXV	G*VC950704CXB*	28,600	21,800	15.00	12.50	900	5983503
	CA*F3743*6D*+TXV	G*VC950714CXB*	28,600	21,800	15.50	12.50	1,000	5983508
	CA*F3743*6D*+TXV	G*VC950905CXB*	28,600	21,800	16.00	13.00	900	5983513
	CA*F3743*6D*+TXV	G*VC950905DXB*	28,600	21,800	16.00	13.00	1,000	5983518
	CA*F3743*6D*+TXV	G*VC950915DXB*	28,600	21,800	16.00	13.00	1,000	5983521
	CA*F3743*6D*+TXV	G*VC951155DXB*	28,600	21,800	15.50	12.50	900	5983525
CA*F3743*6D*+TXV	G*VM960805CXB*	28,600	21,800	15.00	12.50	980	5983532	
CA*F3743*6D*+TXV	G*VM960805DXB*	28,600	21,800	15.00	12.50	1,000	5983537	
CA*F3743*6D*+TXV	G*VM961005DXB*	28,600	21,800	16.00	13.00	900	5983542	
CA*F3743*6D*+TXV	G*VM961155DXB*	28,600	21,800	16.00	13.00	1,000	5983547	
CA*F3743*6D*+TXV	GME950403BXA*	28,600	21,800	15.00	12.50	990	5983554	
CA*F3743*6D*+TXV	GME950603BXA*	28,600	21,800	15.00	12.50	1,000	5983559	
CA*F3743*6D*+TXV	A*VC80805C*B*	28,600	21,800	16.00	13.00	980	5983899	
CA*F3743*6D*+TXV	A*VC81005C*B*	28,600	21,800	16.00	13.00	1,000	5983904	
CA*F3743*6D*+TXV	A*VC950453BXB*	28,600	21,800	15.50	12.50	1,000	5983908	

See Notes on Page 42.

OUTDOOR UNIT	INDOOR UNITS		COOLING RATINGS				CFM	AHRI #
	COILS/AIR HANDLERS	FURNACES	TOTAL ¹	SENS. ¹	SEER ²	EER ³		
GSX16 0301F* (cont.)	CA*F3743*6D*+TXV	A*VC950704CXB*	28,600	21,800	15.00	12.50	900	5983913
	CA*F3743*6D*+TXV	A*VC950714CXB*	28,600	21,800	15.50	12.50	1,000	5983918
	CA*F3743*6D*+TXV	A*VC950905CXB*	28,600	21,800	16.00	13.00	900	5983923
	CA*F3743*6D*+TXV	A*VC950905DXB*	28,600	21,800	16.00	13.00	1,000	5983928
	CA*F3743*6D*+TXV	A*VC950915DXB*	28,600	21,800	16.00	13.00	1,000	5983931
	CA*F3743*6D*+TXV	A*VC951155DXB*	28,600	21,800	15.50	12.50	900	5983935
	CA*F3743*6D*+TXV	A*VM960805CXB*	28,600	21,800	15.00	12.50	980	5983942
	CA*F3743*6D*+TXV	A*VM960805DXB*	28,600	21,800	15.00	12.50	1,000	5983947
	CA*F3743*6D*+TXV	A*VM961005DXB*	28,600	21,800	16.00	13.00	900	5983952
	CA*F3743*6D*+TXV	A*VM961155DXB*	28,600	21,800	16.00	13.00	1,000	5983957
	CA*F3743*6D*+TXV	A*EH800805C*A*	29,000	22,200	16.00	13.00	1,050	6945092
	CA*F3743*6D*+TXV	A*EH801005C*A*	28,600	21,800	15.00	12.50	1,000	6945093
	CA*F3743*6D*+TXV	AMEH960403BXA*	28,600	21,800	15.00	12.50	990	6945094
	CA*F3743*6D*+TXV	AMEH960603BXA*	28,600	21,800	15.00	12.50	1,000	6945095
	CA*F3743*6D*+TXV	AMEH960805CXA*	29,000	22,200	16.00	13.00	1,050	6945096
	CA*F4860*6D*	G*VC950714CXB*	28,600	21,800	15.50	12.50	1,000	5986788
	CA*F4860*6D*	G*VC950905CXB*	28,600	21,800	15.50	12.50	900	5986792
	CA*F4860*6D*	G*VC950905DXB*	28,600	21,800	15.50	12.50	1,000	5986796
	CA*F4860*6D*	G*VC950915DXB*	28,600	21,800	15.50	12.50	1,000	5986799
	CA*F4860*6D*	G*VC951155DXB*	28,600	21,800	15.50	12.50	900	5986802
	CA*F4860*6D*	G*VM960805CXB*	28,600	21,800	15.00	12.50	980	5986814
	CA*F4860*6D*	G*VM960805DXB*	28,600	21,800	15.50	12.50	1,000	5986818
	CA*F4860*6D*	G*VM961005DXB*	28,600	21,800	15.50	12.50	900	5986822
	CA*F4860*6D*	G*VM961155DXB*	28,600	21,800	15.50	12.50	1,000	5986826
	CA*F4860*6D*	A*VC950714CXB*	28,600	21,800	15.50	12.50	1,000	5987221
	CA*F4860*6D*	A*VC950905CXB*	28,600	21,800	15.50	12.50	900	5987225
	CA*F4860*6D*	A*VC950905DXB*	28,600	21,800	15.50	12.50	1,000	5987229
	CA*F4860*6D*	A*VC950915DXB*	28,600	21,800	15.50	12.50	1,000	5987232
	CA*F4860*6D*	A*VC951155DXB*	28,600	21,800	15.50	12.50	900	5987235
	CA*F4860*6D*	A*VM960805CXB*	28,600	21,800	15.00	12.50	980	5987247
	CA*F4860*6D*	A*VM960805DXB*	28,600	21,800	15.50	12.50	1,000	5987251
	CA*F4860*6D*	A*VM961005DXB*	28,600	21,800	15.50	12.50	900	5987255
	CA*F4860*6D*	A*VM961155DXB*	28,600	21,800	15.50	12.50	1,000	5987259
	CA*F4860*6D*+TXV	G*VC950714CXB*	28,600	21,800	16.00	13.00	1,000	5983509
	CA*F4860*6D*+TXV	G*VC950905CXB*	28,600	21,800	16.00	13.00	900	5983514
	CA*F4860*6D*+TXV	G*VC950905DXB*	28,600	21,800	16.00	13.00	1,000	5983519
	CA*F4860*6D*+TXV	G*VC950915DXB*	28,600	21,800	16.00	13.00	1,000	5983522
	CA*F4860*6D*+TXV	G*VC951155DXB*	28,600	21,800	16.00	13.00	900	5983526
	CA*F4860*6D*+TXV	G*VM960805CXB*	28,600	21,800	15.50	12.50	980	5983533
	CA*F4860*6D*+TXV	G*VM960805DXB*	28,600	21,800	15.00	12.50	1,000	5983538
	CA*F4860*6D*+TXV	G*VM961005DXB*	28,600	21,800	16.00	13.00	900	5983543
	CA*F4860*6D*+TXV	G*VM961155DXB*	28,600	21,800	16.00	13.00	1,000	5983548
	CA*F4860*6D*+TXV	A*VC950714CXB*	28,600	21,800	16.00	13.00	1,000	5983919
	CA*F4860*6D*+TXV	A*VC950905CXB*	28,600	21,800	16.00	13.00	900	5983924
	CA*F4860*6D*+TXV	A*VC950905DXB*	28,600	21,800	16.00	13.00	1,000	5983929
	CA*F4860*6D*+TXV	A*VC950915DXB*	28,600	21,800	16.00	13.00	1,000	5983932
	CA*F4860*6D*+TXV	A*VC951155DXB*	28,600	21,800	16.00	13.00	900	5983936
	CA*F4860*6D*+TXV	A*VM960805CXB*	28,600	21,800	15.50	12.50	980	5983943
	CA*F4860*6D*+TXV	A*VM960805DXB*	28,600	21,800	15.00	12.50	1,000	5983948
	CA*F4860*6D*+TXV	A*VM961005DXB*	28,600	21,800	16.00	13.00	900	5983953
CA*F4860*6D*+TXV	A*VM961155DXB*	28,600	21,800	16.00	13.00	1,000	5983958	
CA*F4860*6D*+TXV	A*VC950704CXB*	28,600	21,800	16.00	13.00	900	6605862	
CA*F4860*6D*+TXV	G*VC950704CXB*	28,600	21,800	16.00	13.00	900	6605863	
CA*F4961*6D*+EEP+TXV		29,400	22,400	15.00	12.50	1,000	5753029	

See Notes on Page 42.

OUTDOOR UNIT	INDOOR UNITS		COOLING RATINGS				CFM	AHRI #
	COILS/AIR HANDLERS	FURNACES	TOTAL ¹	SENS. ¹	SEER ²	EER ³		
GSX16 0301F* (cont.)	CAPT3743*4A*	G*E80805C*B*	28,600	21,800	15.00	12.50	1,000	5983477
	CAPT3743*4A*	G*E81005C*B*	28,600	21,800	15.00	12.50	1,000	5983482
	CAPT3743*4A*	G*VC80604B*B*	28,600	21,800	15.00	12.50	1,000	5983486
	CAPT3743*4A*	G*VC80805C*B*	28,600	21,800	16.00	13.00	980	5983490
	CAPT3743*4A*	G*VC81005C*B*	28,600	21,800	16.00	13.00	1,000	5983495
	CAPT3743*4A*	G*VC950453BXB*	28,600	21,800	15.50	12.50	1,000	5983499
	CAPT3743*4A*	G*VC950704CXB*	28,600	21,800	15.50	12.50	900	5983504
	CAPT3743*4A*	G*VC950714CXB*	28,600	21,800	15.50	12.50	1,000	5983510
	CAPT3743*4A*	G*VC950905CXB*	28,600	21,800	16.00	13.00	900	5983515
	CAPT3743*4A*	G*VC950905DXB*	28,600	21,800	16.00	13.00	1,000	5983520
	CAPT3743*4A*	G*VC950915DXB*	28,600	21,800	15.50	12.50	1,000	5983523
	CAPT3743*4A*	G*VC951155DXB*	28,600	21,800	16.00	13.00	900	5983527
	CAPT3743*4A*	G*VM960603BXB*	28,600	21,800	15.00	12.50	990	5983529
	CAPT3743*4A*	G*VM960604CXB*	28,600	21,800	15.00	12.50	860	5983530
	CAPT3743*4A*	G*VM960805CXB*	28,600	21,800	15.50	12.50	980	5983534
	CAPT3743*4A*	G*VM960805DXB*	28,600	21,800	15.50	12.50	1,000	5983539
	CAPT3743*4A*	G*VM961005DXB*	28,600	21,800	16.00	13.00	900	5983544
	CAPT3743*4A*	G*VM961155DXB*	28,600	21,800	15.50	12.50	1,000	5983549
	CAPT3743*4A*	GME950403BXA*	28,600	21,800	15.00	12.50	990	5983555
	CAPT3743*4A*	GME950603BXA*	28,600	21,800	15.00	12.50	1,000	5983560
	CAPT3743*4A*	A*VC80604B*B*	28,600	21,800	15.00	12.50	1,000	5983896
	CAPT3743*4A*	A*VC80805C*B*	28,600	21,800	16.00	13.00	980	5983900
	CAPT3743*4A*	A*VC81005C*B*	28,600	21,800	16.00	13.00	1,000	5983905
	CAPT3743*4A*	A*VC950453BXB*	28,600	21,800	15.50	12.50	1,000	5983909
	CAPT3743*4A*	A*VC950704CXB*	28,600	21,800	15.50	12.50	900	5983914
	CAPT3743*4A*	A*VC950714CXB*	28,600	21,800	15.50	12.50	1,000	5983920
	CAPT3743*4A*	A*VC950905CXB*	28,600	21,800	16.00	13.00	900	5983925
	CAPT3743*4A*	A*VC950905DXB*	28,600	21,800	16.00	13.00	1,000	5983930
	CAPT3743*4A*	A*VC950915DXB*	28,600	21,800	15.50	12.50	1,000	5983933
	CAPT3743*4A*	A*VC951155DXB*	28,600	21,800	16.00	13.00	900	5983937
	CAPT3743*4A*	A*VM960603BXB*	28,600	21,800	15.00	12.50	990	5983939
	CAPT3743*4A*	A*VM960604CXB*	28,600	21,800	15.00	12.50	860	5983940
	CAPT3743*4A*	A*VM960805CXB*	28,600	21,800	15.50	12.50	980	5983944
	CAPT3743*4A*	A*VM960805DXB*	28,600	21,800	15.50	12.50	1,000	5983949
	CAPT3743*4A*	A*VM961005DXB*	28,600	21,800	16.00	13.00	900	5983954
	CAPT3743*4A*	A*VM961155DXB*	28,600	21,800	15.50	12.50	1,000	5983959
	CAPT3743*4A*	G*E80603B*B*	28,600	21,800	15.00	12.50	1,050	6494119
	CAPT3743*4A*	ADVC80603B*B*	28,600	21,800	15.00	12.50	1,000	6494120
	CAPT3743*4A*	ADVC80805C*B*	28,600	21,800	15.00	12.50	1,000	6494121
	CAPT3743*4A*	ADVC81005C*B*	28,600	21,800	15.00	12.50	1,000	6494122
	CAPT3743*4A*	A*EH800603B*A*	28,600	21,800	15.00	12.50	1,050	6945097
	CAPT3743*4A*	A*EH800805C*A*	28,600	21,800	15.00	12.50	1,000	6945098
	CAPT3743*4A*	A*EH801005C*A*	28,600	21,800	15.00	12.50	1,000	6945099
	CAPT3743*4A*	AMEH960403BXA*	28,600	21,800	15.00	12.50	990	6945100
	CAPT3743*4A*	AMEH960603BXA*	28,600	21,800	15.00	12.50	1,000	6945101
	CAPT3743*4A*+EEP		28,600	21,800	14.50	12.00	1,000	5983468
	CAPT3743*4A*+MBVC1200**-1A*		28,600	21,800	15.00	12.50	910	5983469
	CAPT3743*4A*+MBVC1600**-1A*		28,600	21,800	15.00	12.50	945	5983470
	CHPF3636B6C*	G*VC950453BXB*	28,400	21,600	15.00	12.50	1,000	5986778
	CHPF3636B6C*	G*VM960603BXB*	28,400	21,600	15.00	12.50	990	5986806
CHPF3636B6C*	GME950403BXA*	28,400	21,600	15.00	12.50	990	5986831	
CHPF3636B6C*	A*VC950453BXB*	28,400	21,600	15.00	12.50	1,000	5987211	
CHPF3636B6C*	A*VM960603BXB*	28,400	21,600	15.00	12.50	990	5987239	
CHPF3636B6C*	AMEH960403BXA*	28,400	21,600	15.00	12.50	990	6945102	

See Notes on Page 42.

OUTDOOR UNIT	INDOOR UNITS		COOLING RATINGS				CFM	AHRI #
	COILS/AIR HANDLERS	FURNACES	TOTAL ¹	SENS. ¹	SEER ²	EER ³		
GSX16 0301F* (cont.)	CHPF3636B6C*+EEP		28,400	21,600	14.00	12.00	1,000	5986758
	CHPF3636B6C*+MBVC1200**-1A*		28,400	21,600	15.00	12.50	910	5986759
	CHPF3636B6C*+MBVC1200**-1A*+TXV		28,400	21,600	15.50	12.50	910	5983471
	CHPF3636B6C*+TXV	G*VC950453BXB*	28,400	21,600	15.00	12.50	1,000	5983500
	CHPF3636B6C*+TXV	GME950403BXA*	28,400	21,600	15.50	12.50	990	5983556
	CHPF3636B6C*+TXV	A*VC950453BXB*	28,400	21,600	15.00	12.50	1,000	5983910
	CHPF3636B6C*+TXV	AMEH960403BXA*	28,400	21,600	15.50	12.50	990	6945103
	CHPF3642C6C*	G*E80805C*B*	28,400	21,600	14.50	12.00	1,000	5986765
	CHPF3642C6C*	G*E81005C*B*	28,400	21,600	14.50	12.00	1,000	5986767
	CHPF3642C6C*	G*VC80604B*B*	28,400	21,600	15.00	12.50	1,000	5986769
	CHPF3642C6C*	G*VC80805C*B*	28,400	21,600	15.00	12.50	980	5986772
	CHPF3642C6C*	G*VC81005C*B*	28,400	21,600	15.00	12.50	1,000	5986776
	CHPF3642C6C*	G*VC950704CXB*	28,400	21,600	15.00	12.50	900	5986782
	CHPF3642C6C*	G*VM960604CXB*	28,400	21,600	15.00	12.50	860	5986810
	CHPF3642C6C*	GME950603BXA*	28,400	21,600	14.50	12.00	1,000	5986834
	CHPF3642C6C*	A*VC80604B*B*	28,400	21,600	15.00	12.50	1,000	5987202
	CHPF3642C6C*	A*VC80805C*B*	28,400	21,600	15.00	12.50	980	5987205
	CHPF3642C6C*	A*VC81005C*B*	28,400	21,600	15.00	12.50	1,000	5987209
	CHPF3642C6C*	A*VC950704CXB*	28,400	21,600	15.00	12.50	900	5987215
	CHPF3642C6C*	A*VM960604CXB*	28,400	21,600	15.00	12.50	860	5987243
	CHPF3642C6C*	A*EH800805C*A*	28,400	21,600	14.50	12.00	1,000	6945104
	CHPF3642C6C*	A*EH801005C*A*	28,400	21,600	14.50	12.00	1,000	6945105
	CHPF3642C6C*	AMEH960603BXA*	28,400	21,600	14.50	12.00	1,000	6945106
	CHPF3642C6C*+EEP		28,400	21,600	14.00	12.00	1,000	5986760
	CHPF3642C6C*+EEP+TXV		28,400	21,600	14.50	12.00	1,000	5983472
	CHPF3642C6C*+TXV	G*E80805C*B*	28,400	21,600	15.00	12.50	1,000	5983478
	CHPF3642C6C*+TXV	G*E81005C*B*	28,400	21,600	15.00	12.50	1,000	5983483
	CHPF3642C6C*+TXV	G*VC80604B*B*	28,400	21,600	15.50	12.50	1,000	5983487
	CHPF3642C6C*+TXV	G*VC80805C*B*	28,400	21,600	15.50	12.50	980	5983491
	CHPF3642C6C*+TXV	G*VC81005C*B*	28,400	21,600	15.50	12.50	1,000	5983496
	CHPF3642C6C*+TXV	G*VC950704CXB*	28,400	21,600	15.00	12.50	900	5983505
	CHPF3642C6C*+TXV	GME950603BXA*	28,400	21,600	15.00	12.50	1,000	5983561
	CHPF3642C6C*+TXV	A*VC80604B*B*	28,400	21,600	15.50	12.50	1,000	5983897
	CHPF3642C6C*+TXV	A*VC80805C*B*	28,400	21,600	15.50	12.50	980	5983901
	CHPF3642C6C*+TXV	A*VC81005C*B*	28,400	21,600	15.50	12.50	1,000	5983906
	CHPF3642C6C*+TXV	A*VC950704CXB*	28,400	21,600	15.00	12.50	900	5983915
	CHPF3642C6C*+TXV	A*EH800805C*A*	28,400	21,600	15.00	12.50	1,000	6945107
	CHPF3642C6C*+TXV	A*EH801005C*A*	28,400	21,600	15.00	12.50	1,000	6945108
	CHPF3642C6C*+TXV	AMEH960603BXA*	28,400	21,600	15.00	12.50	1,000	6945109
	CHPF3642D6C*	G*VC950704CXB*	28,400	21,600	15.00	12.50	900	5986783
	CHPF3642D6C*	G*VM960604CXB*	28,400	21,600	15.00	12.50	860	5986811
	CHPF3642D6C*	A*VC950704CXB*	28,400	21,600	15.00	12.50	900	5987216
	CHPF3642D6C*	A*VM960604CXB*	28,400	21,600	15.00	12.50	860	5987244
	CHPF3642D6C*+EEP		28,400	21,600	14.00	12.00	1,000	5986761
	CHPF3642D6C*+TXV	G*E80805C*B*	28,400	21,600	15.00	12.50	1,000	5983479
	CHPF3642D6C*+TXV	G*E81005C*B*	28,400	21,600	15.00	12.50	1,000	5983484
	CHPF3642D6C*+TXV	G*VC950704CXB*	28,400	21,600	15.00	12.50	900	5983506
	CHPF3642D6C*+TXV	GME950603BXA*	28,400	21,600	15.00	12.50	1,000	5983562
	CHPF3642D6C*+TXV	A*VC950704CXB*	28,400	21,600	15.00	12.50	900	5983916
	CHPF3642D6C*+TXV	A*EH800805C*A*	28,400	21,600	15.00	12.50	1,000	6945110
CHPF3642D6C*+TXV	A*EH801005C*A*	28,400	21,600	15.00	12.50	1,000	6945111	
CHPF3642D6C*+TXV	AMEH960603BXA*	28,400	21,600	15.00	12.50	1,000	6945112	
CHPF3743C6B*	G*E80805C*B*	28,600	21,800	15.50	12.50	1,000	5986766	
CHPF3743C6B*	G*VC80805C*B*	28,600	21,800	15.50	12.50	980	5986773	

See Notes on Page 42.

OUTDOOR UNIT	INDOOR UNITS		COOLING RATINGS				CFM	AHRI #
	COILS/AIR HANDLERS	FURNACES	TOTAL ¹	SENS. ¹	SEER ²	EER ³		
GSX16 0301F* (cont.)	CHPF3743C6B*	G*VC950905CXB*	28,600	21,800	15.50	12.50	900	5986793
	CHPF3743C6B*	G*VM960805CXB*	28,600	21,800	15.00	12.50	980	5986815
	CHPF3743C6B*	GME950603BXA*	28,600	21,800	14.50	12.00	1,000	5986835
	CHPF3743C6B*	GME950805CXA*	28,600	21,800	15.50	12.50	1,070	5986837
	CHPF3743C6B*	A*VC80805C*B*	28,600	21,800	15.50	12.50	980	5987206
	CHPF3743C6B*	A*VC950905CXB*	28,600	21,800	15.50	12.50	900	5987226
	CHPF3743C6B*	A*VM960805CXB*	28,600	21,800	15.00	12.50	980	5987248
	CHPF3743C6B*	A*EH800805C*A*	28,600	21,800	15.50	12.50	1,000	6945113
	CHPF3743C6B*	AMEH960603BXA*	28,600	21,800	14.50	12.00	1,000	6945114
	CHPF3743C6B*	AMEH960805CXA*	28,600	21,800	15.50	12.50	1,070	6945115
	CHPF3743C6B*+EEP+TXV		29,000	22,200	14.50	12.00	1,000	5753030
	CHPF3743C6B*+MBVC1600**-1A*		28,600	21,800	15.50	12.50	945	5986762
	CHPF3743C6B*+MBVC1600**-1A*+TXV		28,600	21,800	16.00	13.00	945	5983473
	CHPF3743C6B*+TXV	G*E80805C*B*	29,000	22,200	16.00	13.00	1,050	5753033
	CHPF3743C6B*+TXV	GME950805CXA*	29,000	22,200	16.00	13.00	1,050	5753035
	CHPF3743C6B*+TXV	G*VC80805C*B*	28,600	21,800	16.00	13.00	980	5983492
	CHPF3743C6B*+TXV	G*VC950905CXB*	28,600	21,800	16.00	13.00	900	5983516
	CHPF3743C6B*+TXV	G*VM960805CXB*	28,600	21,800	15.50	12.50	980	5983535
	CHPF3743C6B*+TXV	GME950603BXA*	28,600	21,800	15.00	12.50	1,000	5983563
	CHPF3743C6B*+TXV	A*VC80805C*B*	28,600	21,800	16.00	13.00	980	5983902
	CHPF3743C6B*+TXV	A*VC950905CXB*	28,600	21,800	16.00	13.00	900	5983926
	CHPF3743C6B*+TXV	A*VM960805CXB*	28,600	21,800	15.50	12.50	980	5983945
	CHPF3743C6B*+TXV	A*VC950704CXB*	28,000	21,400	16.00	13.00	900	6107840
	CHPF3743C6B*+TXV	G*VC950704CXB*	28,000	21,400	16.00	13.00	900	6107844
	CHPF3743C6B*+TXV	A*EH800805C*A*	29,000	22,200	16.00	13.00	1,050	6945116
	CHPF3743C6B*+TXV	AMEH960603BXA*	28,600	21,800	15.00	12.50	1,000	6945117
	CHPF3743C6B*+TXV	AMEH960805CXA*	29,000	22,200	16.00	13.00	1,050	6945118
	CHPF3743D6B*	G*VC950905CXB*	28,600	21,800	15.50	12.50	900	5986789
	CHPF3743D6B*	G*VC951155DXB*	28,600	21,800	15.50	12.50	900	5986803
	CHPF3743D6B*	G*VM960805DXB*	28,600	21,800	15.00	12.50	1,000	5986819
	CHPF3743D6B*	G*VM961005DXB*	28,600	21,800	15.50	12.50	900	5986823
	CHPF3743D6B*	G*VM961155DXB*	28,600	21,800	15.50	12.50	1,000	5986827
	CHPF3743D6B*	A*VC950905CXB*	28,600	21,800	15.50	12.50	900	5987222
	CHPF3743D6B*	A*VC951155DXB*	28,600	21,800	15.50	12.50	900	5987236
	CHPF3743D6B*	A*VM960805DXB*	28,600	21,800	15.00	12.50	1,000	5987252
	CHPF3743D6B*	A*VM961005DXB*	28,600	21,800	15.50	12.50	900	5987256
	CHPF3743D6B*	A*VM961155DXB*	28,600	21,800	15.50	12.50	1,000	5987260
	CHPF3743D6B*+TXV	G*VC950905CXB*	28,600	21,800	16.00	13.00	900	5983511
	CHPF3743D6B*+TXV	G*VC951155DXB*	28,600	21,800	16.00	13.00	900	5983528
	CHPF3743D6B*+TXV	G*VM960805DXB*	28,600	21,800	15.50	12.50	1,000	5983540
	CHPF3743D6B*+TXV	G*VM961005DXB*	28,600	21,800	16.00	13.00	900	5983545
	CHPF3743D6B*+TXV	G*VM961155DXB*	28,600	21,800	16.00	13.00	1,000	5983550
	CHPF3743D6B*+TXV	A*VC950905CXB*	28,600	21,800	16.00	13.00	900	5983921
	CHPF3743D6B*+TXV	A*VC951155DXB*	28,600	21,800	16.00	13.00	900	5983938
	CHPF3743D6B*+TXV	A*VM960805DXB*	28,600	21,800	15.50	12.50	1,000	5983950
	CHPF3743D6B*+TXV	A*VM961005DXB*	28,600	21,800	16.00	13.00	900	5983955
	CHPF3743D6B*+TXV	A*VM961155DXB*	28,600	21,800	16.00	13.00	1,000	5983960
	CHPF4860D6D*+EEP+TXV		29,400	22,400	15.00	12.50	900	5753031
	CSCF3642N6D*	G*VC950704CXB*	28,800	22,000	15.00	12.50	900	5986784
	CSCF3642N6D*	A*VC950704CXB*	28,800	22,000	15.00	12.50	900	5987217
CSCF3642N6D*+EEP		28,800	22,000	14.00	12.00	1,000	5986763	
CSCF3642N6D*+EEP+TXV		28,800	22,000	14.50	12.00	1,000	5983474	
CSCF3642N6D*+TXV	G*VC950704CXB*	28,400	21,600	15.00	12.50	900	5983507	
CSCF3642N6D*+TXV	A*VC950704CXB*	28,400	21,600	15.00	12.50	900	5983917	

See Notes on Page 42.

OUTDOOR UNIT	INDOOR UNITS		COOLING RATINGS				CFM	AHRI #
	COILS/AIR HANDLERS	FURNACES	TOTAL ¹	SENS. ¹	SEER ²	EER ³		
	ARPT36D14A*		34,000	26,400	14.50	12.00	1,150	5983564
	ARPT42D14A*		35,000	27,200	14.50	12.00	1,175	5983565
	ARPT48D14A*		35,000	27,200	14.50	12.00	1,250	5983566
	ARUF48D14A*		35,000	27,200	14.00	12.00	1,175	5986838
	ARUF48D14A*+TXV		34,400	26,800	14.50	12.00	1,175	5983567
	ASPT36C14A*		34,200	26,600	14.50	12.00	1,200	5983568
	ASPT42C14A*		34,400	26,800	14.50	12.00	1,175	7040825
	ASPT42D14A*		35,000	27,200	16.00	13.00	1,175	5756175
	ASUF39C14A*		34,200	26,600	14.00	12.00	1,000	5986839
	ASUF39C14A*+TXV		34,200	26,600	14.50	12.00	1,000	5983569
	AVPTC42D14A*		35,000	27,200	16.00	13.00	1,220	5924356
	AVPTC48C14A*		34,400	26,800	14.50	12.00	1,000	7040826
	AWUF37XX16B*		34,000	26,400	14.00	12.00	1,150	5753212
	AWUF37XX16B*+TXV		33,000	25,600	14.50	12.00	1,000	5753044
	CA*F3636*6D*	GME950603BXA*	33,600	26,200	14.00	12.00	1,165	5986920
	CA*F3636*6D*	GME950805CXA*	33,600	26,200	14.50	12.00	1,110	5986924
	CA*F3636*6D*	AMEH960603BXA*	33,600	26,200	14.00	12.00	1,165	6945119
	CA*F3636*6D*	AMEH960805CXA*	33,600	26,200	14.50	12.00	1,110	6945120
	CA*F3636*6D*+EEP+TXV		33,600	26,200	14.00	11.80	1,200	5983570
	CA*F3636*6D*+TXV	GME950603BXA*	33,600	26,200	14.50	12.00	1,165	5983647
	CA*F3636*6D*+TXV	GME950805CXA*	33,600	26,200	15.00	12.50	1,110	5983650
	CA*F3636*6D*+TXV	AMEH960603BXA*	33,600	26,200	14.50	12.00	1,165	6945121
	CA*F3636*6D*+TXV	AMEH960805CXA*	33,600	26,200	15.00	12.50	1,110	6945122
	CA*F3642*6D*	G*VC950704CXB*	34,000	26,400	14.50	12.00	1,120	5986876
	CA*F3642*6D*	G*VC950905CXB*	34,000	26,400	15.00	12.50	1,175	5986883
	CA*F3642*6D*	G*VM960805CXB*	34,000	26,400	14.50	12.00	1,175	5986902
	CA*F3642*6D*	GME950603BXA*	34,000	26,400	13.50	11.50	1,165	5986921
	CA*F3642*6D*	GME950805CXA*	34,000	26,400	14.50	12.00	1,110	5986925
GSX16 0361F*	CA*F3642*6D*	A*VC950704CXB*	34,000	26,400	14.50	12.00	1,120	5987272
	CA*F3642*6D*	A*VC950905CXB*	34,000	26,400	15.00	12.50	1,175	5987279
	CA*F3642*6D*	A*VM960805CXB*	34,000	26,400	14.50	12.00	1,175	5987298
	CA*F3642*6D*	AMEH960603BXA*	34,000	26,400	13.50	11.50	1,165	6945123
	CA*F3642*6D*	AMEH960805CXA*	34,000	26,400	14.50	12.00	1,110	6945124
	CA*F3642*6D*+EEP		34,000	26,400	14.00	12.00	1,200	5986840
	CA*F3642*6D*+MBVC2000**-1A*		34,000	26,400	15.00	12.50	1,120	5986841
	CA*F3642*6D*+TXV	G*VC950704CXB*	34,000	26,400	14.50	12.00	1,120	5983601
	CA*F3642*6D*+TXV	G*VC950905CXB*	34,000	26,400	15.00	12.50	1,175	5983608
	CA*F3642*6D*+TXV	G*VM960805CXB*	34,000	26,400	15.00	12.50	1,175	5983629
	CA*F3642*6D*+TXV	GME950805CXA*	34,000	26,400	15.00	12.50	1,110	5983651
	CA*F3642*6D*+TXV	A*VC950704CXB*	34,000	26,400	14.50	12.00	1,120	5983969
	CA*F3642*6D*+TXV	A*VC950905CXB*	34,000	26,400	15.00	12.50	1,175	5983976
	CA*F3642*6D*+TXV	A*VM960805CXB*	34,000	26,400	15.00	12.50	1,175	5984040
	CA*F3642*6D*+TXV	AMEH960805CXA*	34,000	26,400	15.00	12.50	1,110	6945125
	CA*F3743*6D*	G*E80603B*B*	34,600	27,000	14.50	12.00	1,150	5986858
	CA*F3743*6D*	G*E80805C*B*	34,600	27,000	14.50	12.00	1,180	5986860
	CA*F3743*6D*	G*VC80805C*B*	34,600	27,000	15.50	12.50	1,180	5986868
	CA*F3743*6D*	G*VC81005C*B*	34,600	27,000	15.50	12.50	1,200	5986872
	CA*F3743*6D*	G*VC950704CXB*	34,600	27,000	14.50	12.00	1,120	5986877
	CA*F3743*6D*	G*VC950905CXB*	34,600	27,000	15.00	12.50	1,175	5986884
	CA*F3743*6D*	G*VC950905DXB*	34,600	27,000	14.50	12.00	1,145	5986888
	CA*F3743*6D*	G*VC951155DXB*	34,600	27,000	14.50	12.00	1,190	5986894
	CA*F3743*6D*	G*VM960604CXB*	34,600	27,000	14.50	12.00	1,140	5986899
	CA*F3743*6D*	G*VM960805CXB*	34,600	27,000	14.50	12.00	1,175	5986903
	CA*F3743*6D*	G*VM960805DXB*	34,600	27,000	14.50	12.00	1,205	5986907
	CA*F3743*6D*	G*VM961005DXB*	34,600	27,000	14.50	12.00	1,085	5986910
	CA*F3743*6D*	G*VM961155DXB*	34,600	27,000	14.50	12.00	1,085	5986914

See Notes on Page 42.

OUTDOOR UNIT	INDOOR UNITS		COOLING RATINGS				CFM	AHRI #
	COILS/AIR HANDLERS	FURNACES	TOTAL ¹	SENS. ¹	SEER ²	EER ³		
GSX16 0361F* (cont.)	CA*F3743*6D*	GME950805CXA*	34,600	27,000	14.50	12.00	1,110	5986926
	CA*F3743*6D*	GME951005DXA*	34,600	27,000	15.00	12.50	1,050	5986930
	CA*F3743*6D*	A*VC80805C*B*	34,600	27,000	15.50	12.50	1,180	5987262
	CA*F3743*6D*	A*VC81005C*B*	34,600	27,000	15.50	12.50	1,200	5987267
	CA*F3743*6D*	A*VC950704CXB*	34,600	27,000	14.50	12.00	1,120	5987273
	CA*F3743*6D*	A*VC950905CXB*	34,600	27,000	15.00	12.50	1,175	5987280
	CA*F3743*6D*	A*VC950905DXB*	34,600	27,000	14.50	12.00	1,145	5987284
	CA*F3743*6D*	A*VC951155DXB*	34,600	27,000	14.50	12.00	1,190	5987290
	CA*F3743*6D*	A*VM960604CXB*	34,600	27,000	14.50	12.00	1,140	5987295
	CA*F3743*6D*	A*VM960805CXB*	34,600	27,000	14.50	12.00	1,175	5987299
	CA*F3743*6D*	A*VM960805DXB*	34,600	27,000	14.50	12.00	1,205	5987303
	CA*F3743*6D*	A*VM961005DXB*	34,600	27,000	14.50	12.00	1,085	5987306
	CA*F3743*6D*	A*VM961155DXB*	34,600	27,000	14.50	12.00	1,085	5987310
	CA*F3743*6D*	A*EH800603B*A*	34,600	27,000	14.50	12.00	1,150	6945126
	CA*F3743*6D*	A*EH800805C*A*	34,600	27,000	14.50	12.00	1,180	6945127
	CA*F3743*6D*	AMEH960805CXA*	34,600	27,000	14.50	12.00	1,110	6945128
	CA*F3743*6D*	AMEH961005DXA*	34,600	27,000	15.00	12.50	1,050	6945129
	CA*F3743*6D*+EEP		34,600	27,000	14.00	12.00	1,200	5986842
	CA*F3743*6D*+EEP+TXV		34,600	27,000	14.50	12.00	1,200	5983571
	CA*F3743*6D*+MBVC1600**-1A*		34,600	27,000	15.00	12.50	1,200	5986843
	CA*F3743*6D*+MBVC1600**-1A*+TXV		34,600	27,000	15.50	12.50	1,200	5983572
	CA*F3743*6D*+MBVC2000**-1A*		34,600	27,000	15.00	12.50	1,120	5986844
	CA*F3743*6D*+MBVC2000**-1A*+TXV		34,600	27,000	15.50	12.50	1,120	5983573
	CA*F3743*6D*+TXV	G*E80603B*B*	34,600	27,000	15.00	12.50	1,150	5983586
	CA*F3743*6D*+TXV	G*E80805C*B*	34,600	27,000	15.00	12.50	1,180	5983588
	CA*F3743*6D*+TXV	G*VC80805C*B*	34,600	27,000	15.00	12.50	1,180	5983593
	CA*F3743*6D*+TXV	G*VC81005C*B*	34,600	27,000	15.00	12.50	1,200	5983597
	CA*F3743*6D*+TXV	G*VC950704CXB*	34,600	27,000	15.00	12.50	1,120	5983602
	CA*F3743*6D*+TXV	G*VC950905CXB*	34,600	27,000	15.00	12.50	1,175	5983609
	CA*F3743*6D*+TXV	G*VC950905DXB*	34,600	27,000	15.00	12.50	1,145	5983613
	CA*F3743*6D*+TXV	G*VC950915DXB*	34,600	27,000	15.00	12.50	1,205	5983618
	CA*F3743*6D*+TXV	G*VC951155DXB*	34,600	27,000	15.00	12.50	1,190	5983622
	CA*F3743*6D*+TXV	G*VM960604CXB*	34,600	27,000	15.00	12.50	1,140	5983627
	CA*F3743*6D*+TXV	G*VM960805CXB*	34,600	27,000	15.00	12.50	1,175	5983630
	CA*F3743*6D*+TXV	G*VM960805DXB*	34,600	27,000	15.00	12.50	1,205	5983633
	CA*F3743*6D*+TXV	G*VM961005DXB*	34,600	27,000	15.00	12.50	1,085	5983637
	CA*F3743*6D*+TXV	G*VM961155DXB*	34,600	27,000	15.00	12.50	1,085	5983641
	CA*F3743*6D*+TXV	GME950805CXA*	34,600	27,000	15.00	12.50	1,110	5983652
	CA*F3743*6D*+TXV	GME951005DXA*	34,600	27,000	15.50	12.50	1,050	5983655
	CA*F3743*6D*+TXV	A*VC80805C*B*	34,600	27,000	15.00	12.50	1,180	5983961
	CA*F3743*6D*+TXV	A*VC81005C*B*	34,600	27,000	15.00	12.50	1,200	5983965
	CA*F3743*6D*+TXV	A*VC950704CXB*	34,600	27,000	15.00	12.50	1,120	5983970
	CA*F3743*6D*+TXV	A*VC950905CXB*	34,600	27,000	15.00	12.50	1,175	5983977
	CA*F3743*6D*+TXV	A*VC950905DXB*	34,600	27,000	15.00	12.50	1,145	5983981
	CA*F3743*6D*+TXV	A*VC951155DXB*	34,600	27,000	15.00	12.50	1,190	5983986
	CA*F3743*6D*+TXV	A*VC950915DXB*	34,600	27,000	15.00	12.50	1,205	5984034
	CA*F3743*6D*+TXV	A*VM960604CXB*	34,600	27,000	15.00	12.50	1,140	5984038
	CA*F3743*6D*+TXV	A*VM960805CXB*	34,600	27,000	15.00	12.50	1,175	5984041
	CA*F3743*6D*+TXV	A*VM960805DXB*	34,600	27,000	15.00	12.50	1,205	5984044
	CA*F3743*6D*+TXV	A*VM961005DXB*	34,600	27,000	15.00	12.50	1,085	5984048
CA*F3743*6D*+TXV	A*VM961155DXB*	34,600	27,000	15.00	12.50	1,085	5984052	
CA*F3743*6D*+TXV	A*EH800603B*A*	34,600	27,000	15.00	12.50	1,150	6945130	
CA*F3743*6D*+TXV	A*EH800805C*A*	34,600	27,000	15.00	12.50	1,180	6945131	
CA*F3743*6D*+TXV	AMEH960805CXA*	34,600	27,000	15.00	12.50	1,110	6945132	
CA*F3743*6D*+TXV	AMEH961005DXA*	34,600	27,000	15.50	12.50	1,050	6945133	
CA*F4860*6D*	G*E80805C*B*	34,600	27,000	15.50	12.50	1,180	5986861	

See Notes on Page 42.

OUTDOOR UNIT	INDOOR UNITS		COOLING RATINGS				CFM	AHRI #
	COILS/AIR HANDLERS	FURNACES	TOTAL ¹	SENS. ¹	SEER ²	EER ³		
GSX16 0361F* (cont.)	CA*F4860*6D*	G*E81005C*B*	34,600	27,000	15.50	12.50	1,200	5986865
	CA*F4860*6D*	G*VC80805C*B*	34,600	27,000	15.00	12.50	1,180	5986869
	CA*F4860*6D*	G*VC81005C*B*	34,600	27,000	15.00	12.50	1,200	5986873
	CA*F4860*6D*	G*VC950704CXB*	34,600	27,000	15.00	12.50	1,120	5986878
	CA*F4860*6D*	G*VC950714CXB*	34,600	27,000	15.00	12.50	1,125	5986881
	CA*F4860*6D*	G*VC950905CXB*	34,600	27,000	15.50	12.50	1,175	5986885
	CA*F4860*6D*	G*VC950905DXB*	34,600	27,000	15.50	12.50	1,145	5986889
	CA*F4860*6D*	G*VC950915DXB*	34,600	27,000	15.50	12.50	1,205	5986892
	CA*F4860*6D*	G*VC951155DXB*	34,600	27,000	15.50	12.50	1,190	5986895
	CA*F4860*6D*	G*VM960604CXB*	34,600	27,000	14.50	12.00	1,140	5986900
	CA*F4860*6D*	G*VM960805CXB*	34,600	27,000	15.00	12.50	1,175	5986904
	CA*F4860*6D*	G*VM960805DXB*	34,600	27,000	15.50	12.50	1,205	5986908
	CA*F4860*6D*	G*VM961005DXB*	34,600	27,000	14.50	12.00	1,085	5986911
	CA*F4860*6D*	G*VM961155DXB*	34,600	27,000	15.00	12.50	1,085	5986915
	CA*F4860*6D*	ADVC80805C*B*	34,600	27,000	15.00	12.50	1,200	5986918
	CA*F4860*6D*	ADVC81005C*B*	34,600	27,000	15.00	12.50	1,115	5986919
	CA*F4860*6D*	GME950603BXA*	34,600	27,000	14.00	11.50	1,165	5986922
	CA*F4860*6D*	GME950805CXA*	34,600	27,000	15.50	12.50	1,110	5986927
	CA*F4860*6D*	GME951005DXA*	34,600	27,000	15.50	12.50	1,050	5986931
	CA*F4860*6D*	A*VC80805C*B*	34,600	27,000	15.00	12.50	1,180	5987263
	CA*F4860*6D*	A*VC81005C*B*	34,600	27,000	15.00	12.50	1,200	5987268
	CA*F4860*6D*	A*VC950704CXB*	34,600	27,000	15.00	12.50	1,120	5987274
	CA*F4860*6D*	A*VC950714CXB*	34,600	27,000	15.00	12.50	1,125	5987277
	CA*F4860*6D*	A*VC950905CXB*	34,600	27,000	15.50	12.50	1,175	5987281
	CA*F4860*6D*	A*VC950905DXB*	34,600	27,000	15.50	12.50	1,145	5987285
	CA*F4860*6D*	A*VC950915DXB*	34,600	27,000	15.50	12.50	1,205	5987288
	CA*F4860*6D*	A*VC951155DXB*	34,600	27,000	15.50	12.50	1,190	5987291
	CA*F4860*6D*	A*VM960604CXB*	34,600	27,000	14.50	12.00	1,140	5987296
	CA*F4860*6D*	A*VM960805CXB*	34,600	27,000	15.00	12.50	1,175	5987300
	CA*F4860*6D*	A*VM960805DXB*	34,600	27,000	15.50	12.50	1,205	5987304
	CA*F4860*6D*	A*VM961005DXB*	34,600	27,000	14.50	12.00	1,085	5987307
	CA*F4860*6D*	A*VM961155DXB*	34,600	27,000	15.00	12.50	1,085	5987311
	CA*F4860*6D*	A*EH800805C*A*	34,600	27,000	15.50	12.50	1,180	6945134
	CA*F4860*6D*	A*EH801005C*A*	34,600	27,000	15.50	12.50	1,200	6945135
	CA*F4860*6D*	AMEH960603BXA*	34,600	27,000	14.00	11.50	1,165	6945136
	CA*F4860*6D*	AMEH960805CXA*	34,600	27,000	15.50	12.50	1,110	6945137
	CA*F4860*6D*	AMEH961005DXA*	34,600	27,000	15.50	12.50	1,050	6945138
	CA*F4860*6D*+EEP		34,600	27,000	14.00	12.00	1,200	5986845
	CA*F4860*6D*+EEP+TXV		34,800	27,000	14.50	12.00	1,200	5753036
	CA*F4860*6D*+MBVC2000**-1A*		34,600	27,000	15.50	12.50	1,120	5986846
	CA*F4860*6D*+MBVC2000**-1A*+TXV		34,600	27,000	16.00	13.00	1,120	5983574
	CA*F4860*6D*+TXV	G*E80805C*B*	34,000	26,400	16.00	13.00	1,000	5753040
	CA*F4860*6D*+TXV	GME950805CXA*	34,000	26,400	16.00	13.00	1,000	5753042
	CA*F4860*6D*+TXV	G*E81005C*B*	34,600	27,000	15.50	12.50	1,200	5983591
	CA*F4860*6D*+TXV	G*VC80805C*B*	34,600	27,000	15.50	12.50	1,180	5983594
	CA*F4860*6D*+TXV	G*VC81005C*B*	34,600	27,000	15.50	12.50	1,200	5983598
	CA*F4860*6D*+TXV	G*VC950704CXB*	34,600	27,000	15.50	12.50	1,120	5983603
CA*F4860*6D*+TXV	G*VC950714CXB*	34,600	27,000	15.00	12.50	1,125	5983606	
CA*F4860*6D*+TXV	G*VC950905CXB*	34,600	27,000	15.50	12.50	1,175	5983610	
CA*F4860*6D*+TXV	G*VC950905DXB*	34,600	27,000	15.00	12.50	1,145	5983614	
CA*F4860*6D*+TXV	G*VC950915DXB*	34,600	27,000	15.00	12.50	1,205	5983619	
CA*F4860*6D*+TXV	G*VC951155DXB*	34,600	27,000	16.00	13.00	1,190	5983623	
CA*F4860*6D*+TXV	G*VM960805DXB*	34,600	27,000	15.00	12.50	1,205	5983634	
CA*F4860*6D*+TXV	G*VM961005DXB*	34,600	27,000	15.00	12.50	1,085	5983638	
CA*F4860*6D*+TXV	G*VM961155DXB*	34,600	27,000	15.50	12.50	1,085	5983642	
CA*F4860*6D*+TXV	ADVC80805C*B*	34,600	27,000	15.50	12.50	1,200	5983645	

See Notes on Page 42.

OUTDOOR UNIT	INDOOR UNITS		COOLING RATINGS				CFM	AHRI #
	COILS/AIR HANDLERS	FURNACES	TOTAL ¹	SENS. ¹	SEER ²	EER ³		
GSX16 0361F* (cont.)	CA*F4860*6D*+TXV	ADVC81005C*B*	34,600	27,000	15.50	12.50	1,115	5983646
	CA*F4860*6D*+TXV	GME950603BXA*	34,600	27,000	15.00	12.50	1,165	5983648
	CA*F4860*6D*+TXV	GME951005DXA*	34,600	27,000	16.00	13.00	1,050	5983656
	CA*F4860*6D*+TXV	A*VC80805C*B*	34,600	27,000	15.50	12.50	1,180	5983962
	CA*F4860*6D*+TXV	A*VC81005C*B*	34,600	27,000	15.50	12.50	1,200	5983966
	CA*F4860*6D*+TXV	A*VC950704CXB*	34,600	27,000	15.50	12.50	1,120	5983971
	CA*F4860*6D*+TXV	A*VC950714CXB*	34,600	27,000	15.00	12.50	1,125	5983974
	CA*F4860*6D*+TXV	A*VC950905CXB*	34,600	27,000	15.50	12.50	1,175	5983978
	CA*F4860*6D*+TXV	A*VC950905DXB*	34,600	27,000	15.00	12.50	1,145	5983982
	CA*F4860*6D*+TXV	A*VC951155DXB*	34,600	27,000	16.00	13.00	1,190	5983987
	CA*F4860*6D*+TXV	A*VC950915DXB*	34,600	27,000	15.00	12.50	1,205	5984035
	CA*F4860*6D*+TXV	A*VM960805DXB*	34,600	27,000	15.00	12.50	1,205	5984045
	CA*F4860*6D*+TXV	A*VM961005DXB*	34,600	27,000	15.00	12.50	1,085	5984049
	CA*F4860*6D*+TXV	A*VM961155DXB*	34,600	27,000	15.50	12.50	1,085	5984053
	CA*F4860*6D*+TXV	A*EH800805C*A*	34,000	26,400	16.00	13.00	1,000	6945139
	CA*F4860*6D*+TXV	A*EH801005C*A*	34,600	27,000	15.50	12.50	1,200	6945140
	CA*F4860*6D*+TXV	AMEH960603BXA*	34,600	27,000	15.00	12.50	1,165	6945141
	CA*F4860*6D*+TXV	AMEH960805CXA*	34,000	26,400	16.00	13.00	1,000	6945142
	CA*F4860*6D*+TXV	AMEH961005DXA*	34,600	27,000	16.00	13.00	1,050	6945143
	CA*F4961*6D*	G*E80805C*B*	35,000	27,200	15.50	12.50	1,180	5986862
	CA*F4961*6D*	G*VC950714CXB*	35,000	27,200	15.00	12.50	1,125	5986882
	CA*F4961*6D*	G*VC950915DXB*	35,000	27,200	15.00	12.50	1,205	5986893
	CA*F4961*6D*	A*VC950714CXB*	35,000	27,200	15.00	12.50	1,125	5987278
	CA*F4961*6D*	A*VC950915DXB*	35,000	27,200	15.00	12.50	1,205	5987289
	CA*F4961*6D*	A*EH800805C*A*	35,000	27,200	15.50	12.50	1,180	6945144
	CA*F4961*6D*+EEP		35,000	27,200	14.50	12.00	1,200	5986847
	CA*F4961*6D*+EEP+TXV		35,000	27,200	15.00	12.50	1,100	5753037
	CA*F4961*6D*+MBVC1600**-1A*		35,000	27,200	15.50	12.50	1,200	5986848
	CA*F4961*6D*+MBVC1600**-1A*+TXV		35,000	27,200	16.00	13.00	1,200	5983575
	CA*F4961*6D*+TXV	G*E80805C*B*	35,000	27,200	16.00	13.00	1,180	5983589
	CA*F4961*6D*+TXV	G*VC950714CXB*	35,000	27,200	15.50	12.50	1,125	5983607
	CA*F4961*6D*+TXV	G*VC950915DXB*	35,000	27,200	15.50	12.50	1,205	5983620
	CA*F4961*6D*+TXV	A*VC950714CXB*	35,000	27,200	15.50	12.50	1,125	5983975
	CA*F4961*6D*+TXV	A*VC950915DXB*	35,000	27,200	15.50	12.50	1,205	5984036
	CA*F4961*6D*+TXV	G*VM960604CXB*	34,600	27,000	15.20	12.50	1,140	6107337
	CA*F4961*6D*+TXV	G*VM960805CXB*	34,600	27,000	15.20	12.50	1,175	6107338
	CA*F4961*6D*+TXV	A*VM960604CXB*	34,600	27,000	15.20	12.50	1,140	6107350
	CA*F4961*6D*+TXV	A*VM960805CXB*	34,600	27,000	15.20	12.50	1,175	6107351
	CA*F4961*6D*+TXV	A*EH800805C*A*	35,000	27,200	16.00	13.00	1,180	6945145
	CAPT3743*4A*	G*VC950704CXB*	34,600	27,000	15.00	12.50	1,120	5983604
	CAPT3743*4A*	G*VC950905CXB*	34,600	27,000	15.00	12.50	1,175	5983611
	CAPT3743*4A*	G*VC950905DXB*	34,600	27,000	15.00	12.50	1,145	5983615
	CAPT3743*4A*	G*VC950915DXB*	34,600	27,000	15.00	12.50	1,205	5983621
	CAPT3743*4A*	G*VC951155DXB*	34,600	27,000	15.00	12.50	1,190	5983624
	CAPT3743*4A*	G*VM960805CXB*	34,600	27,000	15.00	12.50	1,175	5983631
	CAPT3743*4A*	G*VM960805DXB*	34,600	27,000	15.00	12.50	1,205	5983635
	CAPT3743*4A*	G*VM961005DXB*	34,600	27,000	15.00	12.50	1,085	5983639
	CAPT3743*4A*	G*VM961155DXB*	34,600	27,000	15.00	12.50	1,085	5983643
	CAPT3743*4A*	GME950805CXA*	34,600	27,000	15.00	12.50	1,110	5983653
	CAPT3743*4A*	GME951005DXA*	34,600	27,000	15.50	12.50	1,050	5983657
CAPT3743*4A*	A*VC950704CXB*	34,600	27,000	15.00	12.50	1,120	5983972	
CAPT3743*4A*	A*VC950905CXB*	34,600	27,000	15.00	12.50	1,175	5983979	
CAPT3743*4A*	A*VC950905DXB*	34,600	27,000	15.00	12.50	1,145	5983983	
CAPT3743*4A*	A*VC951155DXB*	34,600	27,000	15.00	12.50	1,190	5983988	
CAPT3743*4A*	A*VC950915DXB*	34,600	27,000	15.00	12.50	1,205	5984037	
CAPT3743*4A*	A*VM960805CXB*	34,600	27,000	15.00	12.50	1,175	5984042	

See Notes on Page 42.

OUTDOOR UNIT	INDOOR UNITS		COOLING RATINGS				CFM	AHRI #
	COILS/AIR HANDLERS	FURNACES	TOTAL ¹	SENS. ¹	SEER ²	EER ³		
GSX16 0361F* (cont.)	CAPT3743*4A*	A*VM960805DXB*	34,600	27,000	15.00	12.50	1,205	5984046
	CAPT3743*4A*	A*VM961005DXB*	34,600	27,000	15.00	12.50	1,085	5984050
	CAPT3743*4A*	A*VM961155DXB*	34,600	27,000	15.00	12.50	1,085	5984054
	CAPT3743*4A*	ADVC81005C*B*	34,000	26,400	15.00	12.50	1,115	6494123
	CAPT3743*4A*	G*VC80604B*B*	34,600	27,000	15.00	12.50	1,125	6494124
	CAPT3743*4A*	ADVC80805C*B*	34,600	27,000	15.00	12.50	1,200	6494125
	CAPT3743*4A*	G*VC80805C*B*	34,600	27,000	15.00	12.50	1,200	6494126
	CAPT3743*4A*	G*VC81005C*B*	34,600	27,000	15.00	12.50	1,200	6494127
	CAPT3743*4A*	G*E81005C*B*	34,600	27,000	15.00	12.50	1,200	6494128
	CAPT3743*4A*	G*E80805C*B*	34,600	27,000	15.00	12.50	1,200	6494129
	CAPT3743*4A*	G*VC950714CXB*	34,600	27,000	14.50	12.50	1,150	6494131
	CAPT3743*4A*	G*VM960604CXB*	34,600	27,000	14.50	12.50	1,150	6494132
	CAPT3743*4A*	ADVC80603B*B*	34,600	27,000	14.50	12.50	1,175	6494133
	CAPT3743*4A*	G*E80603B*B*	34,600	27,000	14.50	12.50	1,150	6494134
	CAPT3743*4A*	GME950403BXA*	34,600	27,000	14.50	12.50	1,150	6494135
	CAPT3743*4A*	G*VM960603BXB*	34,600	27,000	14.50	12.50	1,200	6494136
	CAPT3743*4A*	GME950603BXA*	34,600	27,000	14.00	12.00	1,150	6494137
	CAPT3743*4A*	G*VC950453BXB*	34,600	27,000	14.00	12.00	1,200	6494138
	CAPT3743*4A*	A*VC80604B*B*	34,600	27,000	15.00	12.50	1,125	6494139
	CAPT3743*4A*	A*VC80805C*B*	34,600	27,000	15.00	12.50	1,200	6494140
	CAPT3743*4A*	A*VC81005C*B*	34,600	27,000	15.00	12.50	1,200	6494141
	CAPT3743*4A*	A*VC950714CXB*	34,600	27,000	14.50	12.50	1,150	6494142
	CAPT3743*4A*	A*VM960604CXB*	34,600	27,000	14.50	12.50	1,150	6494143
	CAPT3743*4A*	A*VM960603BXB*	34,600	27,000	14.50	12.50	1,200	6494144
	CAPT3743*4A*	A*VC950453BXB*	34,600	27,000	14.00	12.00	1,200	6494145
	CAPT3743*4A*	A*EH800603B*A*	34,600	27,000	14.50	12.50	1,150	6945146
	CAPT3743*4A*	A*EH800805C*A*	34,600	27,000	15.00	12.50	1,200	6945147
	CAPT3743*4A*	A*EH801005C*A*	34,600	27,000	15.00	12.50	1,200	6945148
	CAPT3743*4A*	AMEH960403BXA*	34,600	27,000	14.50	12.50	1,150	6945149
	CAPT3743*4A*	AMEH960603BXA*	34,600	27,000	14.00	12.00	1,150	6945150
	CAPT3743*4A*	AMEH960805CXA*	34,600	27,000	15.00	12.50	1,110	6945151
	CAPT3743*4A*	AMEH961005DXA*	34,600	27,000	15.50	12.50	1,050	6945152
	CAPT3743*4A*+EEP		34,600	27,000	14.00	12.00	1,200	5983576
	CAPT3743*4A*+MBVC1200**-1A*		34,000	26,400	15.00	12.50	1,100	6494130
	CAPT3743*4A*+MBVC1600**-1A*		34,600	27,000	15.00	12.50	1,220	5983577
	CAPT3743*4A*+MBVC2000**-1A*		34,600	27,000	15.00	12.50	1,120	5983578
	CHPF3642C6C*	G*E80603B*B*	34,600	27,000	14.50	12.00	1,150	5986859
	CHPF3642C6C*	G*E80805C*B*	34,600	27,000	15.00	12.50	1,180	5986863
	CHPF3642C6C*	G*E81005C*B*	34,600	27,000	15.00	12.50	1,200	5986866
	CHPF3642C6C*	G*VC80805C*B*	34,600	27,000	14.50	12.00	1,180	5986870
	CHPF3642C6C*	G*VC81005C*B*	34,600	27,000	14.50	12.00	1,200	5986874
	CHPF3642C6C*	G*VC950704CXB*	34,600	27,000	14.50	12.00	1,120	5986879
	CHPF3642C6C*	G*VM960604CXB*	34,600	27,000	14.50	12.00	1,140	5986901
	CHPF3642C6C*	GME950603BXA*	34,600	27,000	14.00	12.00	1,165	5986923
	CHPF3642C6C*	A*VC80805C*B*	34,600	27,000	14.50	12.00	1,180	5987264
	CHPF3642C6C*	A*VC81005C*B*	34,600	27,000	14.50	12.00	1,200	5987269
	CHPF3642C6C*	A*VC950704CXB*	34,600	27,000	14.50	12.00	1,120	5987275
	CHPF3642C6C*	A*VM960604CXB*	34,600	27,000	14.50	12.00	1,140	5987297
	CHPF3642C6C*	A*EH800603B*A*	34,600	27,000	14.50	12.00	1,150	6945153
	CHPF3642C6C*	A*EH800805C*A*	34,600	27,000	15.00	12.50	1,180	6945154
CHPF3642C6C*	A*EH801005C*A*	34,600	27,000	15.00	12.50	1,200	6945155	
CHPF3642C6C*	AMEH960603BXA*	34,600	27,000	14.00	12.00	1,165	6945156	
CHPF3642C6C*+EEP		34,600	27,000	14.00	12.00	1,200	5986849	
CHPF3642C6C*+EEP+TXV		34,600	27,000	14.50	12.00	1,200	5983579	
CHPF3642C6C*+MBVC1600**-1A*		34,600	27,000	14.50	12.00	1,220	5986851	
CHPF3642C6C*+MBVC1600**-1A*+TXV		34,600	27,000	15.00	12.50	1,220	5983580	

See Notes on Page 42.

OUTDOOR UNIT	INDOOR UNITS		COOLING RATINGS				CFM	AHRI #
	COILS/AIR HANDLERS	FURNACES	TOTAL ¹	SENS. ¹	SEER ²	EER ³		
GSX16 0361F* (cont.)	CHPF3642C6C*+TXV	G*E80603B*B*	34,600	27,000	15.00	12.50	1,150	5983587
	CHPF3642C6C*+TXV	G*E80805C*B*	34,600	27,000	15.50	12.50	1,180	5983590
	CHPF3642C6C*+TXV	G*E81005C*B*	34,600	27,000	15.00	12.50	1,200	5983592
	CHPF3642C6C*+TXV	G*VC80805C*B*	34,600	27,000	15.00	12.50	1,180	5983595
	CHPF3642C6C*+TXV	G*VC81005C*B*	34,600	27,000	15.00	12.50	1,200	5983599
	CHPF3642C6C*+TXV	G*VM960604CXB*	34,600	27,000	15.00	12.50	1,140	5983628
	CHPF3642C6C*+TXV	GME950603BXA*	34,600	27,000	14.50	11.50	1,165	5983649
	CHPF3642C6C*+TXV	A*VC80805C*B*	34,600	27,000	15.00	12.50	1,180	5983963
	CHPF3642C6C*+TXV	A*VC81005C*B*	34,600	27,000	15.00	12.50	1,200	5983967
	CHPF3642C6C*+TXV	A*VM960604CXB*	34,600	27,000	15.00	12.50	1,140	5984039
	CHPF3642C6C*+TXV	A*EH800603B*A*	34,600	27,000	15.00	12.50	1,150	6945157
	CHPF3642C6C*+TXV	A*EH800805C*A*	34,600	27,000	15.50	12.50	1,180	6945158
	CHPF3642C6C*+TXV	A*EH801005C*A*	34,600	27,000	15.00	12.50	1,200	6945159
	CHPF3642C6C*+TXV	AMEH960603BXA*	34,600	27,000	14.50	11.50	1,165	6945160
	CHPF3743C6B*	G*VC950905CXB*	34,800	27,000	14.50	12.00	1,175	5986886
	CHPF3743C6B*	G*VM960805CXB*	34,800	27,000	14.50	12.00	1,175	5986905
	CHPF3743C6B*	A*VC950905CXB*	34,800	27,000	14.50	12.00	1,175	5987282
	CHPF3743C6B*	A*VM960805CXB*	34,800	27,000	14.50	12.00	1,175	5987301
	CHPF3743C6B*+EEP+TXV		34,800	27,000	14.50	12.00	1,100	5753038
	CHPF3743C6B*+TXV	G*VC950905CXB*	34,800	27,000	15.00	12.50	1,175	5983612
	CHPF3743C6B*+TXV	G*VM960805CXB*	34,800	27,000	15.00	12.50	1,175	5983632
	CHPF3743C6B*+TXV	A*VC950905CXB*	34,800	27,000	15.00	12.50	1,175	5983980
	CHPF3743C6B*+TXV	A*VM960805CXB*	34,800	27,000	15.00	12.50	1,175	5984043
	CHPF3743D6B*	G*VC950905CXB*	34,800	27,000	14.50	12.00	1,175	5986887
	CHPF3743D6B*	G*VC950905DXB*	34,800	27,000	14.50	12.00	1,145	5986890
	CHPF3743D6B*	G*VC951155DXB*	34,800	27,000	15.00	12.50	1,190	5986897
	CHPF3743D6B*	G*VM960805CXB*	34,800	27,000	14.50	12.00	1,175	5986906
	CHPF3743D6B*	G*VM960805DXB*	34,800	27,000	14.50	12.00	1,205	5986909
	CHPF3743D6B*	G*VM961005DXB*	34,800	27,000	14.50	12.00	1,085	5986913
	CHPF3743D6B*	G*VM961155DXB*	34,800	27,000	15.00	12.50	1,085	5986917
	CHPF3743D6B*	GME950805CXA*	34,800	27,000	14.50	12.00	1,110	5986928
	CHPF3743D6B*	A*VC950905CXB*	34,800	27,000	14.50	12.00	1,175	5987283
	CHPF3743D6B*	A*VC950905DXB*	34,800	27,000	14.50	12.00	1,145	5987286
	CHPF3743D6B*	A*VC951155DXB*	34,800	27,000	15.00	12.50	1,190	5987293
	CHPF3743D6B*	A*VM960805CXB*	34,800	27,000	14.50	12.00	1,175	5987302
	CHPF3743D6B*	A*VM960805DXB*	34,800	27,000	14.50	12.00	1,205	5987305
	CHPF3743D6B*	A*VM961005DXB*	34,800	27,000	14.50	12.00	1,085	5987309
	CHPF3743D6B*	A*VM961155DXB*	34,800	27,000	15.00	12.50	1,085	5987313
	CHPF3743D6B*	AMEH960805CXA*	34,800	27,000	14.50	12.00	1,110	6945161
	CHPF3743D6B*+EEP		34,800	27,000	14.00	12.00	1,200	5986853
	CHPF3743D6B*+EEP+TXV		34,800	27,000	14.50	12.00	1,200	5983582
	CHPF3743D6B*+TXV	G*VC950905DXB*	34,800	27,000	15.00	12.50	1,145	5983616
	CHPF3743D6B*+TXV	G*VC951155DXB*	34,800	27,000	15.00	12.50	1,190	5983625
	CHPF3743D6B*+TXV	G*VM960805DXB*	34,800	27,000	15.00	12.50	1,205	5983636
	CHPF3743D6B*+TXV	G*VM961005DXB*	34,800	27,000	15.00	12.50	1,085	5983640
	CHPF3743D6B*+TXV	G*VM961155DXB*	34,800	27,000	15.00	12.50	1,085	5983644
	CHPF3743D6B*+TXV	GME950805CXA*	34,800	27,000	15.50	12.50	1,110	5983654
	CHPF3743D6B*+TXV	A*VC950905DXB*	34,800	27,000	15.00	12.50	1,145	5983984
	CHPF3743D6B*+TXV	A*VC951155DXB*	34,800	27,000	15.00	12.50	1,190	5983989
	CHPF3743D6B*+TXV	A*VM960805DXB*	34,800	27,000	15.00	12.50	1,205	5984047
CHPF3743D6B*+TXV	A*VM961005DXB*	34,800	27,000	15.00	12.50	1,085	5984051	
CHPF3743D6B*+TXV	A*VM961155DXB*	34,800	27,000	15.00	12.50	1,085	5984055	
CHPF3743D6B*+TXV	AMEH960805CXA*	34,800	27,000	15.50	12.50	1,110	6945162	
CHPF4860D6D*	G*E80805C*B*	34,800	27,000	15.50	12.50	1,180	5986864	
CHPF4860D6D*	G*VC80805C*B*	34,800	27,000	16.00	13.00	1,180	5986871	
CHPF4860D6D*	G*VC81005C*B*	34,800	27,000	14.50	12.00	1,200	5986875	

See Notes on Page 42.

OUTDOOR UNIT	INDOOR UNITS		COOLING RATINGS				CFM	AHRI #
	COILS/AIR HANDLERS	FURNACES	TOTAL ¹	SENS. ¹	SEER ²	EER ³		
GSX16 0361F* (cont.)	CHPF4860D6D*	GME950805CXA*	34,800	27,000	15.50	12.50	1,110	5986929
	CHPF4860D6D*	GME951005DXA*	34,800	27,000	15.50	12.50	1,050	5986933
	CHPF4860D6D*	A*VC80805C*B*	34,800	27,000	16.00	13.00	1,180	5987265
	CHPF4860D6D*	A*VC81005C*B*	34,800	27,000	14.50	12.00	1,200	5987270
	CHPF4860D6D*	A*EH800805C*A*	34,800	27,000	15.50	12.50	1,180	6945163
	CHPF4860D6D*	AMEH960805CXA*	34,800	27,000	15.50	12.50	1,110	6945164
	CHPF4860D6D*	AMEH961005DXA*	34,800	27,000	15.50	12.50	1,050	6945165
	CHPF4860D6D*+EEP		34,800	27,000	14.50	12.00	1,200	5986854
	CHPF4860D6D*+EEP+TXV		35,000	27,200	15.00	12.50	1,100	5753039
	CHPF4860D6D*+MBVC1600**-.1A*		34,800	27,000	15.50	12.50	1,220	5986855
	CHPF4860D6D*+MBVC1600**-.1A*+TXV		34,800	27,000	16.00	13.00	1,220	5983583
	CHPF4860D6D*+MBVC2000**-.1A*		34,800	27,000	15.50	12.50	1,120	5986856
	CHPF4860D6D*+MBVC2000**-.1A*+TXV		34,800	27,000	16.00	13.00	1,120	5983584
	CHPF4860D6D*+TXV	G*E80805C*B*	34,000	26,400	16.00	13.00	1,000	5753041
	CHPF4860D6D*+TXV	GME950805CXA*	34,000	26,400	16.00	13.00	1,000	5753043
	CHPF4860D6D*+TXV	G*VC80805C*B*	34,800	27,000	15.50	12.50	1,180	5983596
	CHPF4860D6D*+TXV	G*VC81005C*B*	34,800	27,000	15.50	12.50	1,200	5983600
	CHPF4860D6D*+TXV	GME951005DXA*	34,800	27,000	16.00	13.00	1,050	5983658
	CHPF4860D6D*+TXV	A*VC80805C*B*	34,800	27,000	15.50	12.50	1,180	5987266
	CHPF4860D6D*+TXV	A*VC81005C*B*	34,800	27,000	15.50	12.50	1,200	5987271
	CHPF4860D6D*+TXV	A*VC950704CXB*	34,000	26,400	16.00	13.00	1,025	6107841
	CHPF4860D6D*+TXV	G*VC950704CXB*	34,000	26,400	16.00	13.00	1,025	6107845
	CHPF4860D6D*+TXV	G*VC950905CXB*	35,000	27,200	16.00	13.00	1,150	6331606
	CHPF4860D6D*+TXV	A*EH800805C*A*	34,000	26,400	16.00	13.00	1,000	6945166
	CHPF4860D6D*+TXV	AMEH960805CXA*	34,000	26,400	16.00	13.00	1,000	6945167
	CHPF4860D6D*+TXV	AMEH961005DXA*	34,800	27,000	16.00	13.00	1,050	6945168
	CSCF4860N6D*	G*VC950704CXB*	34,400	26,800	15.00	12.50	1,120	5986880
	CSCF4860N6D*	G*VC950905DXB*	34,400	26,800	14.50	12.00	1,145	5986891
	CSCF4860N6D*	G*VC951155DXB*	34,400	26,800	14.50	12.00	1,190	5986898
	CSCF4860N6D*	A*VC950704CXB*	34,400	26,800	15.00	12.50	1,120	5987276
	CSCF4860N6D*	A*VC950905DXB*	34,400	26,800	14.50	12.00	1,145	5987287
	CSCF4860N6D*	A*VC951155DXB*	34,400	26,800	14.50	12.00	1,190	5987294
	CSCF4860N6D*+EEP		34,400	26,800	14.00	12.00	1,200	5986857
	CSCF4860N6D*+EEP+TXV		34,400	26,800	14.50	12.00	1,200	5983585
	CSCF4860N6D*+TXV	G*VC950704CXB*	34,400	26,800	15.00	12.50	1,120	5983605
	CSCF4860N6D*+TXV	G*VC950905DXB*	34,400	26,800	15.00	12.50	1,145	5983617
	CSCF4860N6D*+TXV	G*VC951155DXB*	34,400	26,800	15.00	12.50	1,190	5983626
	CSCF4860N6D*+TXV	A*VC950704CXB*	34,400	26,800	15.00	12.50	1,120	5983973
	CSCF4860N6D*+TXV	A*VC950905DXB*	34,400	26,800	15.00	12.50	1,145	5983985
	CSCF4860N6D*+TXV	A*VC951155DXB*	34,400	26,800	15.00	12.50	1,190	5983990
	DV48PTCC14A*		34,400	26,800	14.50	12.00	1,000	7040827

¹ BTU/h

² Seasonal Energy Efficiency Ratio; Certified per AHRI 210/240 @ 80°F/ 67°F/ 95°F

³ Energy Efficiency Ratio @ 80°F/ 67°F/ 95°F

NOTES

- Always check the S&R plate for electrical data on the unit being installed.
- When matching the outdoor unit to the indoor unit, use the piston supplied with the outdoor unit or that specified on the piston kit chart supplied with the indoor unit.
- EEP - Order from Service Dept. Part No. B13707-38 or new Solid State Board B13707-35S. Part No. B13707-38 is not interchangeable with B13707-35S. The Amana-brand Gas Furnace contains the EEP cooling time delay

OUTDOOR UNIT	INDOOR UNITS		COOLING RATINGS				CFM	AHRI #
	COILS/AIR HANDLERS	FURNACES	TOTAL ¹	SENS. ¹	SEER ²	EER ³		
GSX16 0421F*	ARPT42D14A*		40,000	30,400	14.00	12.00	1,320	5983659
	ARPT48D14A*		40,000	30,400	14.00	12.00	1,250	5983660
	ARUF42C14A*		39,000	29,600	13.50	11.50	1,275	5986934
	ARUF48D14A*		40,000	30,400	14.00	12.00	1,320	5986935
	ASPT42D14A*		41,000	31,200	16.00	13.00	1,350	5756176
	ASPT48C14A*		40,000	30,400	14.50	12.00	1,300	7040828
	ASPT48D14A*		41,000	31,200	16.00	13.00	1,285	5983661
	ASPT60D14A*		41,000	31,200	16.00	13.00	1,410	5983662
	ASUF49C14A*		40,000	30,400	14.00	12.00	1,330	5986936
	ASUF49C14A*+TXV		40,000	30,400	14.50	12.00	1,330	5983663
	AVPTC42D14A*		41,000	31,200	16.00	13.00	1,310	5924357
	AVPTC48C14A*		40,000	30,400	14.50	12.00	1,300	7040829
	CA*F3743*6D*	G*VC950704CXB*	40,000	30,400	13.50	11.50	1,320	5986960
	CA*F3743*6D*	G*VC950905CXB*	40,000	30,400	14.00	12.00	1,280	5986966
	CA*F3743*6D*	G*VC950905DXB*	40,000	30,400	14.00	12.00	1,420	5986971
	CA*F3743*6D*	G*VC951155DXB*	40,000	30,400	14.00	12.00	1,400	5986977
	CA*F3743*6D*	G*VM960604CXB*	40,000	30,400	13.50	11.50	1,460	5986982
	CA*F3743*6D*	G*VM960805CXB*	40,000	30,400	14.00	12.00	1,290	5986985
	CA*F3743*6D*	G*VM960805DXB*	40,000	30,400	14.00	12.00	1,420	5986989
	CA*F3743*6D*	G*VM961005DXB*	40,000	30,400	14.00	12.00	1,400	5986993
	CA*F3743*6D*	G*VM961155DXB*	40,000	30,400	14.00	12.00	1,400	5986997
	CA*F3743*6D*	GME950805CXA*	40,000	30,400	14.50	12.00	1,325	5987003
	CA*F3743*6D*	GME951005DXA*	40,000	30,400	14.50	12.00	1,250	5987007
	CA*F3743*6D*	A*VC950704CXB*	40,000	30,400	13.50	11.50	1,320	5987320
	CA*F3743*6D*	A*VC950905CXB*	40,000	30,400	14.00	12.00	1,280	5987326
	CA*F3743*6D*	A*VC950905DXB*	40,000	30,400	14.00	12.00	1,420	5987331
	CA*F3743*6D*	A*VC951155DXB*	40,000	30,400	14.00	12.00	1,400	5987337
	CA*F3743*6D*	A*VM960604CXB*	40,000	30,400	13.50	11.50	1,460	5987342
	CA*F3743*6D*	A*VM960805CXB*	40,000	30,400	14.00	12.00	1,290	5987345
	CA*F3743*6D*	A*VM960805DXB*	40,000	30,400	14.00	12.00	1,420	5987349
	CA*F3743*6D*	A*VM961005DXB*	40,000	30,400	14.00	12.00	1,400	5987353
	CA*F3743*6D*	A*VM961155DXB*	40,000	30,400	14.00	12.00	1,400	5987357
	CA*F3743*6D*	AMEH960805CXA*	40,000	30,400	14.50	12.00	1,325	6945169
	CA*F3743*6D*	AMEH961005DXA*	40,000	30,400	14.50	12.00	1,250	6945170
	CA*F3743*6D*+EEP+TXV		40,000	30,400	14.50	12.00	1,400	5983664
	CA*F3743*6D*+TXV	G*VC950704CXB*	40,000	30,400	14.00	12.00	1,320	5983684
	CA*F3743*6D*+TXV	G*VC950714CXB*	40,000	30,400	14.50	12.00	1,285	5983688
	CA*F3743*6D*+TXV	G*VC950905CXB*	40,000	30,400	14.50	12.00	1,280	5983690
	CA*F3743*6D*+TXV	G*VC950905DXB*	40,000	30,400	14.50	12.00	1,420	5983694
	CA*F3743*6D*+TXV	G*VC950915DXB*	40,000	30,400	15.00	12.50	1,200	5983698
	CA*F3743*6D*+TXV	G*VC951155DXB*	40,000	30,400	14.50	12.00	1,400	5983700
	CA*F3743*6D*+TXV	G*VM960604CXB*	40,000	30,400	14.00	12.00	1,460	5983704
	CA*F3743*6D*+TXV	G*VM960805CXB*	40,000	30,400	14.50	12.00	1,290	5983707
	CA*F3743*6D*+TXV	G*VM960805DXB*	40,000	30,400	14.50	12.00	1,420	5983709
	CA*F3743*6D*+TXV	G*VM961005DXB*	40,000	30,400	14.50	12.00	1,400	5983712
	CA*F3743*6D*+TXV	G*VM961155DXB*	40,000	30,400	14.50	12.00	1,400	5983714
	CA*F3743*6D*+TXV	ADV80805C*B*	40,000	30,400	15.50	12.50	1,250	5983717
	CA*F3743*6D*+TXV	ADV81005C*B*	40,000	30,400	15.50	12.50	1,400	5983720
	CA*F3743*6D*+TXV	GME950805CXA*	40,000	30,400	14.50	12.00	1,325	5983723
	CA*F3743*6D*+TXV	GME951005DXA*	40,000	30,400	15.00	12.50	1,250	5983727
CA*F3743*6D*+TXV	A*VC950905DXB*	40,000	30,400	14.50	12.00	1,420	5983991	
CA*F3743*6D*+TXV	A*VC950915DXB*	40,000	30,400	15.00	12.50	1,200	5983995	
CA*F3743*6D*+TXV	A*VC951155DXB*	40,000	30,400	14.50	12.00	1,400	5983997	
CA*F3743*6D*+TXV	A*VM961005DXB*	40,000	30,400	14.50	12.00	1,400	5984001	
CA*F3743*6D*+TXV	A*VM961155DXB*	40,000	30,400	14.50	12.00	1,400	5984003	
CA*F3743*6D*+TXV	A*VC950704CXB*	40,000	30,400	14.00	12.00	1,320	5984061	

See Notes on Page 42.

OUTDOOR UNIT	INDOOR UNITS		COOLING RATINGS				CFM	AHRI #
	COILS/AIR HANDLERS	FURNACES	TOTAL ¹	SENS. ¹	SEER ²	EER ³		
GSX16 0421F* (cont.)	CA*F3743*6D*+TXV	A*VC950714CXB*	40,000	30,400	14.50	12.00	1,285	5984065
	CA*F3743*6D*+TXV	A*VC950905CXB*	40,000	30,400	14.50	12.00	1,280	5984067
	CA*F3743*6D*+TXV	A*VM960604CXB*	40,000	30,400	14.00	12.00	1,460	5984071
	CA*F3743*6D*+TXV	A*VM960805CXB*	40,000	30,400	14.50	12.00	1,290	5984074
	CA*F3743*6D*+TXV	A*VM960805DXB*	40,000	30,400	14.50	12.00	1,420	5984076
	CA*F3743*6D*+TXV	AMEH960805CXA*	40,000	30,400	14.50	12.00	1,325	6945171
	CA*F3743*6D*+TXV	AMEH961005DXA*	40,000	30,400	15.00	12.50	1,250	6945172
	CA*F4860*6D*	G*E80805C*B*	40,000	30,400	14.50	12.00	1,350	5986945
	CA*F4860*6D*	G*E80805D*A*	40,000	30,400	15.00	12.50	1,310	5986948
	CA*F4860*6D*	G*E81005C*B*	40,000	30,400	14.00	12.00	1,420	5986951
	CA*F4860*6D*	G*VC80805C*B*	40,000	30,400	14.50	12.00	1,190	5986954
	CA*F4860*6D*	G*VC81005C*B*	40,000	30,400	14.50	12.00	1,370	5986957
	CA*F4860*6D*	G*VC950704CXB*	40,000	30,400	14.00	12.00	1,320	5986961
	CA*F4860*6D*	G*VC950714CXB*	40,000	30,400	15.00	12.50	1,285	5986965
	CA*F4860*6D*	G*VC950905CXB*	40,000	30,400	14.50	12.00	1,280	5986967
	CA*F4860*6D*	G*VC950905DXB*	40,000	30,400	14.50	12.00	1,420	5986972
	CA*F4860*6D*	G*VC950915DXB*	40,000	30,400	15.00	12.50	1,200	5986976
	CA*F4860*6D*	G*VC951155DXB*	40,000	30,400	15.00	12.50	1,400	5986978
	CA*F4860*6D*	G*VM960604CXB*	40,000	30,400	14.00	12.00	1,460	5986983
	CA*F4860*6D*	G*VM960805CXB*	40,000	30,400	14.50	12.00	1,290	5986986
	CA*F4860*6D*	G*VM960805DXB*	40,000	30,400	14.50	12.00	1,420	5986990
	CA*F4860*6D*	G*VM961005DXB*	40,000	30,400	14.50	12.00	1,400	5986994
	CA*F4860*6D*	G*VM961155DXB*	40,000	30,400	15.00	12.50	1,400	5986998
	CA*F4860*6D*	ADVC80805C*B*	40,000	30,400	15.00	12.50	1,250	5987001
	CA*F4860*6D*	ADVC81005C*B*	40,000	30,400	15.00	12.50	1,400	5987002
	CA*F4860*6D*	GME950805CXA*	40,000	30,400	14.00	12.00	1,325	5987004
	CA*F4860*6D*	GME951005DXA*	40,000	30,400	14.50	12.00	1,250	5987008
	CA*F4860*6D*	A*VC80805C*B*	40,000	30,400	14.50	12.00	1,190	5987314
	CA*F4860*6D*	A*VC81005C*B*	40,000	30,400	14.50	12.00	1,370	5987317
	CA*F4860*6D*	A*VC950704CXB*	40,000	30,400	14.00	12.00	1,320	5987321
	CA*F4860*6D*	A*VC950714CXB*	40,000	30,400	15.00	12.50	1,285	5987325
	CA*F4860*6D*	A*VC950905CXB*	40,000	30,400	14.50	12.00	1,280	5987327
	CA*F4860*6D*	A*VC950905DXB*	40,000	30,400	14.50	12.00	1,420	5987332
	CA*F4860*6D*	A*VC950915DXB*	40,000	30,400	15.00	12.50	1,200	5987336
	CA*F4860*6D*	A*VC951155DXB*	40,000	30,400	15.00	12.50	1,400	5987338
	CA*F4860*6D*	A*VM960604CXB*	40,000	30,400	14.00	12.00	1,460	5987343
	CA*F4860*6D*	A*VM960805CXB*	40,000	30,400	14.50	12.00	1,290	5987346
	CA*F4860*6D*	A*VM960805DXB*	40,000	30,400	14.50	12.00	1,420	5987350
	CA*F4860*6D*	A*VM961005DXB*	40,000	30,400	14.50	12.00	1,400	5987354
	CA*F4860*6D*	A*VM961155DXB*	40,000	30,400	15.00	12.50	1,400	5987358
	CA*F4860*6D*	A*EH800805C*A*	40,000	30,400	14.50	12.00	1,350	6945173
	CA*F4860*6D*	A*EH800805D*A*	40,000	30,400	15.00	12.50	1,310	6945174
	CA*F4860*6D*	A*EH801005C*A*	40,000	30,400	14.00	12.00	1,420	6945175
	CA*F4860*6D*	AMEH960805CXA*	40,000	30,400	14.00	12.00	1,325	6945176
	CA*F4860*6D*	AMEH961005DXA*	40,000	30,400	14.50	12.00	1,250	6945177
	CA*F4860*6D*+EEP		40,000	30,400	14.00	12.00	1,400	5986937
	CA*F4860*6D*+EEP+TXV		42,000	32,000	14.50	12.00	1,400	5753045
	CA*F4860*6D*+MBVC2000**-1A*		40,000	30,400	15.00	12.50	1,335	5986938
	CA*F4860*6D*+MBVC2000**-1A*+TXV		40,000	30,400	15.50	12.50	1,335	5983665
	CA*F4860*6D*+TXV	G*E80805C*B*	40,000	30,400	15.00	12.50	1,350	5983672
CA*F4860*6D*+TXV	G*E80805D*A*	40,000	30,400	15.50	12.50	1,310	5983675	
CA*F4860*6D*+TXV	G*E81005C*B*	40,000	30,400	14.50	12.00	1,420	5983676	
CA*F4860*6D*+TXV	G*VC80805C*B*	40,000	30,400	15.50	12.50	1,190	5983679	
CA*F4860*6D*+TXV	GME950805CXA*	40,000	30,400	15.00	12.50	1,325	5983724	
CA*F4860*6D*+TXV	GME951005DXA*	40,000	30,400	15.00	12.50	1,250	5983728	
CA*F4860*6D*+TXV	A*VC80805C*B*	40,000	30,400	15.50	12.50	1,190	5984056	

See Notes on Page 60.

OUTDOOR UNIT	INDOOR UNITS		COOLING RATINGS				CFM	AHRI #
	COILS/AIR HANDLERS	FURNACES	TOTAL ¹	SENS. ¹	SEER ²	EER ³		
GSX16 0421F* (cont.)	CA*F4860*6D*+TXV	A*EH800805C*A*	40,000	30,400	15.00	12.50	1,350	6945178
	CA*F4860*6D*+TXV	A*EH800805D*A*	40,000	30,400	15.50	12.50	1,310	6945179
	CA*F4860*6D*+TXV	A*EH801005C*A*	40,000	30,400	14.50	12.00	1,420	6945180
	CA*F4860*6D*+TXV	AMEH960805CXA*	40,000	30,400	15.00	12.50	1,325	6945181
	CA*F4860*6D*+TXV	AMEH961005DXA*	40,000	30,400	15.00	12.50	1,250	6945182
	CA*F4961*6D*	G*E80805C*B*	41,000	31,200	15.00	12.50	1,350	5986946
	CA*F4961*6D*	G*E80805D*A*	41,000	31,200	15.50	12.50	1,310	5986949
	CA*F4961*6D*	G*E81005C*B*	41,000	31,200	14.50	12.00	1,420	5986952
	CA*F4961*6D*	G*VC80805C*B*	41,000	31,200	15.00	12.50	1,190	5986955
	CA*F4961*6D*	G*VC81005C*B*	41,000	31,200	14.50	12.00	1,370	5986958
	CA*F4961*6D*	G*VC950704CXB*	41,000	31,200	14.00	12.00	1,320	5986962
	CA*F4961*6D*	G*VC950905CXB*	41,000	31,200	14.50	12.00	1,280	5986968
	CA*F4961*6D*	G*VC950905DXB*	41,000	31,200	14.50	12.00	1,420	5986973
	CA*F4961*6D*	G*VC951155DXB*	41,000	31,200	15.00	12.50	1,400	5986979
	CA*F4961*6D*	G*VM960805CXB*	41,000	31,200	14.50	12.00	1,290	5986987
	CA*F4961*6D*	G*VM960805DXB*	41,000	31,200	14.50	12.00	1,420	5986991
	CA*F4961*6D*	G*VM961005DXB*	41,000	31,200	14.50	12.00	1,400	5986995
	CA*F4961*6D*	G*VM961155DXB*	41,000	31,200	15.00	12.50	1,400	5986999
	CA*F4961*6D*	GME950805CXA*	41,000	31,200	14.50	12.00	1,325	5987005
	CA*F4961*6D*	GME951005DXA*	41,000	31,200	15.50	12.50	1,250	5987009
	CA*F4961*6D*	A*VC80805C*B*	41,000	31,200	15.00	12.50	1,190	5987315
	CA*F4961*6D*	A*VC81005C*B*	41,000	31,200	14.50	12.00	1,370	5987318
	CA*F4961*6D*	A*VC950704CXB*	41,000	31,200	14.00	12.00	1,320	5987322
	CA*F4961*6D*	A*VC950905CXB*	41,000	31,200	14.50	12.00	1,280	5987328
	CA*F4961*6D*	A*VC950905DXB*	41,000	31,200	14.50	12.00	1,420	5987333
	CA*F4961*6D*	A*VC951155DXB*	41,000	31,200	15.00	12.50	1,400	5987339
	CA*F4961*6D*	A*VM960805CXB*	41,000	31,200	14.50	12.00	1,290	5987347
	CA*F4961*6D*	A*VM960805DXB*	41,000	31,200	14.50	12.00	1,420	5987351
	CA*F4961*6D*	A*VM961005DXB*	41,000	31,200	14.50	12.00	1,400	5987355
	CA*F4961*6D*	A*VM961155DXB*	41,000	31,200	15.00	12.50	1,400	5987359
	CA*F4961*6D*	A*EH800805C*A*	41,000	31,200	15.00	12.50	1,350	6945183
	CA*F4961*6D*	A*EH800805D*A*	41,000	31,200	15.50	12.50	1,310	6945184
	CA*F4961*6D*	A*EH801005C*A*	41,000	31,200	14.50	12.00	1,420	6945185
	CA*F4961*6D*	AMEH960805CXA*	41,000	31,200	14.50	12.00	1,325	6945186
	CA*F4961*6D*	AMEH961005DXA*	41,000	31,200	15.50	12.50	1,250	6945187
	CA*F4961*6D*+EEP+TXV		42,000	32,000	15.00	12.50	1,300	5753046
	CA*F4961*6D*+MBVC2000**-1A*		41,000	31,200	15.50	12.50	1,335	5986939
	CA*F4961*6D*+MBVC2000**-1A*+TXV		41,000	31,200	16.00	13.00	1,335	5983666
	CA*F4961*6D*+TXV	G*E80805D*A*	40,000	30,400	16.00	13.00	1,300	5753049
	CA*F4961*6D*+TXV	GME951005DXA*	40,000	30,400	16.00	13.00	1,200	5753051
	CA*F4961*6D*+TXV	G*E80805C*B*	41,000	31,200	15.50	12.50	1,350	5983673
	CA*F4961*6D*+TXV	G*E81005C*B*	41,000	31,200	15.00	12.50	1,420	5983677
	CA*F4961*6D*+TXV	G*VC80805C*B*	41,000	31,200	15.50	12.50	1,190	5983680
	CA*F4961*6D*+TXV	G*VC81005C*B*	41,000	31,200	15.20	12.50	1,370	5983682
	CA*F4961*6D*+TXV	G*VC950704CXB*	41,000	31,200	14.50	12.00	1,320	5983685
	CA*F4961*6D*+TXV	G*VC950714CXB*	41,000	31,200	15.50	12.50	1,285	5983689
	CA*F4961*6D*+TXV	G*VC950905CXB*	41,000	31,200	15.00	12.50	1,280	5983691
CA*F4961*6D*+TXV	G*VC950905DXB*	41,000	31,200	16.00	13.00	1,400	5983695	
CA*F4961*6D*+TXV	G*VC950915DXB*	41,000	31,200	15.50	12.50	1,200	5983699	
CA*F4961*6D*+TXV	G*VC951155DXB*	41,000	31,200	16.00	13.00	1,400	5983701	
CA*F4961*6D*+TXV	G*VM960604CXB*	41,000	31,200	14.50	12.00	1,460	5983705	
CA*F4961*6D*+TXV	G*VM960805DXB*	41,000	31,200	15.50	12.50	1,420	5983710	
CA*F4961*6D*+TXV	G*VM961155DXB*	41,000	31,200	16.00	13.00	1,400	5983715	
CA*F4961*6D*+TXV	ADVC80805C*B*	41,000	31,200	16.00	13.00	1,250	5983718	
CA*F4961*6D*+TXV	ADVC81005C*B*	41,000	31,200	16.00	13.00	1,400	5983721	
CA*F4961*6D*+TXV	GME950805CXA*	41,000	31,200	15.50	12.50	1,325	5983725	

See Notes on Page 60.

OUTDOOR UNIT	INDOOR UNITS		COOLING RATINGS				CFM	AHRI #
	COILS/AIR HANDLERS	FURNACES	TOTAL ¹	SENS. ¹	SEER ²	EER ³		
GSX16 0421F* (cont.)	CA*F4961*6D*+TXV	A*VC950905DXB*	41,000	31,200	16.00	13.00	1,400	5983992
	CA*F4961*6D*+TXV	A*VC950915DXB*	41,000	31,200	15.50	12.50	1,200	5983996
	CA*F4961*6D*+TXV	A*VC951155DXB*	41,000	31,200	16.00	13.00	1,400	5983998
	CA*F4961*6D*+TXV	A*VM961155DXB*	41,000	31,200	16.00	13.00	1,400	5984004
	CA*F4961*6D*+TXV	A*VC80805C*B*	41,000	31,200	15.50	12.50	1,190	5984057
	CA*F4961*6D*+TXV	A*VC81005C*B*	41,000	31,200	15.20	12.50	1,370	5984059
	CA*F4961*6D*+TXV	A*VC950704CXB*	41,000	31,200	14.50	12.00	1,320	5984062
	CA*F4961*6D*+TXV	A*VC950714CXB*	41,000	31,200	15.50	12.50	1,285	5984066
	CA*F4961*6D*+TXV	A*VC950905CXB*	41,000	31,200	15.00	12.50	1,280	5984068
	CA*F4961*6D*+TXV	A*VM960604CXB*	41,000	31,200	14.50	12.00	1,460	5984072
	CA*F4961*6D*+TXV	A*VM960805DXB*	41,000	31,200	15.50	12.50	1,420	5984077
	CA*F4961*6D*+TXV	G*VM960805CXB*	41,000	31,200	15.20	12.50	1,290	6107339
	CA*F4961*6D*+TXV	G*VM961005DXB*	41,000	31,200	16.00	13.00	1,400	6107340
	CA*F4961*6D*+TXV	A*VM960805CXB*	41,000	31,200	15.20	12.50	1,290	6107352
	CA*F4961*6D*+TXV	A*VM961005DXB*	41,000	31,200	16.00	13.00	1,400	6107353
	CA*F4961*6D*+TXV	A*EH800805C*A*	41,000	31,200	15.50	12.50	1,350	6945188
	CA*F4961*6D*+TXV	A*EH800805D*A*	40,000	30,400	16.00	13.00	1,300	6945189
	CA*F4961*6D*+TXV	A*EH801005C*A*	41,000	31,200	15.00	12.50	1,420	6945190
	CA*F4961*6D*+TXV	AMEH960805CXA*	41,000	31,200	15.50	12.50	1,325	6945191
	CA*F4961*6D*+TXV	AMEH961005DXA*	40,000	30,400	16.00	13.00	1,200	6945192
	CAPT4961*4A*	A*VC950905CXB*	41,000	31,200	15.00	12.50	1,280	6943315
	CAPT4961*4A*	G*VC950905CXB*	41,000	31,200	15.00	12.50	1,280	6943316
	CAPT4961*4A*	G*E80603B*B*	41,000	31,200	14.00	12.00	1,355	6945521
	CAPT4961*4A*	G*E80805C*B*	41,000	31,200	15.00	12.50	1,350	6945524
	CAPT4961*4A*	G*E80805D*A*	41,000	31,200	15.00	12.50	1,300	6945527
	CAPT4961*4A*	G*E81005C*B*	41,000	31,200	15.00	12.50	1,420	6945531
	CAPT4961*4A*	A*VC80604B*B*	41,000	31,200	15.00	12.50	1,410	6945536
	CAPT4961*4A*	G*VC80604B*B*	41,000	31,200	15.00	12.50	1,410	6945537
	CAPT4961*4A*	A*VC80805C*B*	41,000	31,200	15.00	12.50	1,190	6945542
	CAPT4961*4A*	G*VC80805C*B*	41,000	31,200	15.00	12.50	1,190	6945543
	CAPT4961*4A*	A*VC81005C*B*	41,000	31,200	15.00	12.50	1,370	6945547
	CAPT4961*4A*	G*VC81005C*B*	41,000	31,200	15.00	12.50	1,370	6945548
	CAPT4961*4A*	A*VC950714CXB*	41,000	31,200	15.00	12.50	1,285	6945568
	CAPT4961*4A*	G*VC950714CXB*	41,000	31,200	15.00	12.50	1,285	6945569
	CAPT4961*4A*	A*VC950905DXB*	41,000	31,200	15.00	12.50	1,400	6945584
	CAPT4961*4A*	G*VC950905DXB*	41,000	31,200	15.00	12.50	1,400	6945585
	CAPT4961*4A*	A*VC950915DXB*	41,000	31,200	15.00	12.50	1,200	6945594
	CAPT4961*4A*	G*VC950915DXB*	41,000	31,200	15.00	12.50	1,200	6945595
	CAPT4961*4A*	A*VC951155DXB*	41,000	31,200	15.00	12.50	1,400	6945604
	CAPT4961*4A*	G*VC951155DXB*	41,000	31,200	15.00	12.50	1,400	6945605
	CAPT4961*4A*	A*VM960603BXB*	41,000	31,200	14.00	12.00	1,355	6945612
	CAPT4961*4A*	G*VM960603BXB*	41,000	31,200	14.00	12.00	1,355	6945613
	CAPT4961*4A*	A*VM960604CXB*	41,000	31,200	15.00	12.50	1,460	6945618
	CAPT4961*4A*	G*VM960604CXB*	41,000	31,200	15.00	12.50	1,460	6945619
	CAPT4961*4A*	A*VM960805CXB*	41,000	31,200	15.00	12.50	1,290	6945628
	CAPT4961*4A*	G*VM960805CXB*	41,000	31,200	15.00	12.50	1,290	6945629
	CAPT4961*4A*	A*VM960805DXB*	41,000	31,200	15.00	12.50	1,420	6945639
	CAPT4961*4A*	G*VM960805DXB*	41,000	31,200	15.00	12.50	1,420	6945640
CAPT4961*4A*	A*VM961005DXB*	41,000	31,200	15.00	12.50	1,400	6945649	
CAPT4961*4A*	G*VM961005DXB*	41,000	31,200	15.00	12.50	1,400	6945650	
CAPT4961*4A*	A*VM961155DXB*	40,500	30,800	15.00	12.50	1,400	6945658	
CAPT4961*4A*	G*VM961155DXB*	40,500	30,800	15.00	12.50	1,400	6945659	
CAPT4961*4A*	ADVC80805C*B*	41,000	31,200	15.00	12.50	1,250	6945666	
CAPT4961*4A*	ADVC81005C*B*	41,000	31,200	15.00	12.50	1,400	6945670	
CAPT4961*4A*	GME950805CXA*	40,500	30,800	15.00	12.50	1,325	6945675	
CAPT4961*4A*	GME951005DXA*	40,000	30,400	15.00	12.50	1,200	6945681	

See Notes on Page 60.

OUTDOOR UNIT	INDOOR UNITS		COOLING RATINGS				CFM	AHRI #
	COILS/AIR HANDLERS	FURNACES	TOTAL ¹	SENS. ¹	SEER ²	EER ³		
GSX16 0421F* (cont.)	CAPT4961*4A*+EEP		41,000	31,200	15.00	12.50	1,400	5983667
	CAPT4961*4A*+MBVC1600**-1A*		41,000	31,200	15.00	12.50	1,375	6945518
	CAPT4961*4A*+MBVC2000**-1A*		41,000	31,200	16.00	13.00	1,335	5983668
	CHPF3743C6B*+EEP		40,000	30,400	14.00	12.00	1,400	5986940
	CHPF3743C6B*+EEP+TXV		41,500	31,600	14.50	12.00	1,300	5753047
	CHPF3743D6B*+EEP		40,000	30,400	14.00	12.00	1,400	5986941
	CHPF3743D6B*+EEP+TXV		40,000	30,400	14.50	12.00	1,400	5983669
	CHPF4860D6D*	G*E80805C*B*	40,000	30,400	15.00	12.50	1,350	5986947
	CHPF4860D6D*	G*E80805D*A*	40,000	30,400	15.50	12.50	1,310	5986950
	CHPF4860D6D*	G*E81005C*B*	40,500	30,800	14.50	12.00	1,420	5986953
	CHPF4860D6D*	G*VC80805C*B*	41,000	31,200	15.00	12.50	1,190	5986956
	CHPF4860D6D*	G*VC81005C*B*	39,000	29,600	14.50	12.00	1,370	5986959
	CHPF4860D6D*	G*VC950704CXB*	41,000	31,200	14.00	12.00	1,320	5986963
	CHPF4860D6D*	G*VC950905CXB*	40,000	30,400	15.00	12.50	1,280	5986969
	CHPF4860D6D*	G*VC950905DXB*	40,000	30,400	15.00	12.50	1,420	5986974
	CHPF4860D6D*	G*VC951155DXB*	40,000	30,400	14.50	12.00	1,400	5986980
	CHPF4860D6D*	G*VM960604CXB*	40,000	30,400	14.00	12.00	1,460	5986984
	CHPF4860D6D*	G*VM960805CXB*	40,000	30,400	14.50	12.00	1,290	5986988
	CHPF4860D6D*	G*VM960805DXB*	40,000	30,400	15.00	12.50	1,420	5986992
	CHPF4860D6D*	G*VM961005DXB*	40,000	30,400	14.50	12.00	1,400	5986996
	CHPF4860D6D*	G*VM961155DXB*	40,000	30,400	14.50	12.00	1,400	5987000
	CHPF4860D6D*	GME950805CXA*	40,000	30,400	15.00	12.50	1,325	5987006
	CHPF4860D6D*	GME951005DXA*	40,000	30,400	15.50	12.50	1,250	5987010
	CHPF4860D6D*	A*VC80805C*B*	41,000	31,200	15.00	12.50	1,190	5987316
	CHPF4860D6D*	A*VC81005C*B*	39,000	29,600	14.50	12.00	1,370	5987319
	CHPF4860D6D*	A*VC950704CXB*	41,000	31,200	14.00	12.00	1,320	5987323
	CHPF4860D6D*	A*VC950905CXB*	40,000	30,400	15.00	12.50	1,280	5987329
	CHPF4860D6D*	A*VC950905DXB*	40,000	30,400	15.00	12.50	1,420	5987334
	CHPF4860D6D*	A*VC951155DXB*	40,000	30,400	14.50	12.00	1,400	5987340
	CHPF4860D6D*	A*VM960604CXB*	40,000	30,400	14.00	12.00	1,460	5987344
	CHPF4860D6D*	A*VM960805CXB*	40,000	30,400	14.50	12.00	1,290	5987348
	CHPF4860D6D*	A*VM960805DXB*	40,000	30,400	15.00	12.50	1,420	5987352
	CHPF4860D6D*	A*VM961005DXB*	40,000	30,400	14.50	12.00	1,400	5987356
	CHPF4860D6D*	A*VM961155DXB*	40,000	30,400	14.50	12.00	1,400	5987360
	CHPF4860D6D*	A*EH800805C*A*	40,000	30,400	15.00	12.50	1,350	6945193
	CHPF4860D6D*	A*EH800805D*A*	40,000	30,400	15.50	12.50	1,310	6945194
	CHPF4860D6D*	A*EH801005C*A*	40,500	30,800	14.50	12.00	1,420	6945195
	CHPF4860D6D*	AMEH960805CXA*	40,000	30,400	15.00	12.50	1,325	6945196
	CHPF4860D6D*	AMEH961005DXA*	40,000	30,400	15.50	12.50	1,250	6945197
	CHPF4860D6D*+EEP		40,000	30,400	14.00	12.00	1,400	5986942
	CHPF4860D6D*+EEP+TXV		41,000	31,200	15.00	12.50	1,200	5753048
	CHPF4860D6D*+MBVC2000**-1A*		40,000	30,400	15.50	12.50	1,335	5986943
	CHPF4860D6D*+MBVC2000**-1A*+TXV		40,000	30,400	16.00	13.00	1,335	5983670
	CHPF4860D6D*+TXV	G*E80805D*A*	40,000	30,400	16.00	13.00	1,300	5753050
	CHPF4860D6D*+TXV	GME951005DXA*	40,000	30,400	16.00	13.00	1,200	5753052
	CHPF4860D6D*+TXV	G*E80805C*B*	40,000	30,400	15.50	12.50	1,350	5983674
	CHPF4860D6D*+TXV	G*E81005C*B*	40,500	30,800	15.00	12.50	1,420	5983678
CHPF4860D6D*+TXV	G*VC80805C*B*	41,000	31,200	15.50	12.50	1,190	5983681	
CHPF4860D6D*+TXV	G*VC81005C*B*	40,000	30,400	15.00	12.50	1,370	5983683	
CHPF4860D6D*+TXV	G*VC950704CXB*	41,000	31,200	14.50	12.00	1,320	5983686	
CHPF4860D6D*+TXV	G*VC950905CXB*	41,500	31,600	15.00	12.50	1,280	5983692	
CHPF4860D6D*+TXV	G*VC950905DXB*	41,000	31,200	16.00	13.00	1,300	5983696	
CHPF4860D6D*+TXV	G*VC951155DXB*	40,500	30,800	16.00	13.00	1,300	5983702	
CHPF4860D6D*+TXV	G*VM960604CXB*	40,000	30,400	15.50	12.50	1,460	5983706	
CHPF4860D6D*+TXV	G*VM960805CXB*	41,500	31,600	15.00	12.50	1,290	5983708	
CHPF4860D6D*+TXV	G*VM960805DXB*	41,500	31,600	15.00	12.50	1,420	5983711	

See Notes on Page 60.

OUTDOOR UNIT	INDOOR UNITS		COOLING RATINGS				CFM	AHRI #
	COILS/AIR HANDLERS	FURNACES	TOTAL ¹	SENS. ¹	SEER ²	EER ³		
GSX16 0421F* (cont.)	CHPF4860D6D*+TXV	G*VM961005DXB*	40,500	30,800	16.00	13.00	1,300	5983713
	CHPF4860D6D*+TXV	G*VM961155DXB*	40,500	30,800	16.00	13.00	1,300	5983716
	CHPF4860D6D*+TXV	GME950805CXA*	41,000	31,200	15.50	12.50	1,325	5983726
	CHPF4860D6D*+TXV	A*VC950905DXB*	41,000	31,200	16.00	13.00	1,300	5983993
	CHPF4860D6D*+TXV	A*VC951155DXB*	40,500	30,800	16.00	13.00	1,300	5983999
	CHPF4860D6D*+TXV	A*VM961005DXB*	40,500	30,800	16.00	13.00	1,300	5984002
	CHPF4860D6D*+TXV	A*VM961155DXB*	40,500	30,800	16.00	13.00	1,300	5984005
	CHPF4860D6D*+TXV	A*VC80805C*B*	41,000	31,200	15.50	12.50	1,190	5984058
	CHPF4860D6D*+TXV	A*VC81005C*B*	40,000	30,400	15.00	12.50	1,370	5984060
	CHPF4860D6D*+TXV	A*VC950704CXB*	41,000	31,200	14.50	12.00	1,320	5984063
	CHPF4860D6D*+TXV	A*VC950905CXB*	41,500	31,600	15.00	12.50	1,280	5984069
	CHPF4860D6D*+TXV	A*VM960604CXB*	40,000	30,400	15.50	12.50	1,460	5984073
	CHPF4860D6D*+TXV	A*VM960805CXB*	41,500	31,600	15.00	12.50	1,290	5984075
	CHPF4860D6D*+TXV	A*VM960805DXB*	41,500	31,600	15.00	12.50	1,420	5984078
	CHPF4860D6D*+TXV	A*EH800805C*A*	40,000	30,400	15.50	12.50	1,350	6945198
	CHPF4860D6D*+TXV	A*EH800805D*A*	40,000	30,400	16.00	13.00	1,300	6945199
	CHPF4860D6D*+TXV	A*EH801005C*A*	40,500	30,800	15.00	12.50	1,420	6945200
	CHPF4860D6D*+TXV	AMEH960805CXA*	41,000	31,200	15.50	12.50	1,325	6945201
	CHPF4860D6D*+TXV	AMEH961005DXA*	40,000	30,400	16.00	13.00	1,200	6945202
	CSCF4860N6D*	G*VC950704CXB*	40,000	30,400	14.00	12.00	1,320	5986964
	CSCF4860N6D*	G*VC950905CXB*	40,000	30,400	14.00	12.00	1,280	5986970
	CSCF4860N6D*	G*VC950905DXB*	40,000	30,400	15.00	12.50	1,420	5986975
	CSCF4860N6D*	G*VC951155DXB*	40,000	30,400	14.00	12.00	1,400	5986981
	CSCF4860N6D*	A*VC950704CXB*	40,000	30,400	14.00	12.00	1,320	5987324
	CSCF4860N6D*	A*VC950905CXB*	40,000	30,400	14.00	12.00	1,280	5987330
	CSCF4860N6D*	A*VC950905DXB*	40,000	30,400	15.00	12.50	1,420	5987335
	CSCF4860N6D*	A*VC951155DXB*	40,000	30,400	14.00	12.00	1,400	5987341
	CSCF4860N6D*+EEP		40,000	30,400	14.00	12.00	1,400	5986944
	CSCF4860N6D*+EEP+TXV		40,000	30,400	14.50	12.00	1,400	5983671
	CSCF4860N6D*+TXV	G*VC950704CXB*	40,000	30,400	14.50	12.00	1,320	5983687
	CSCF4860N6D*+TXV	G*VC950905CXB*	41,000	31,200	14.50	12.00	1,280	5983693
	CSCF4860N6D*+TXV	G*VC950905DXB*	40,500	30,800	16.00	13.00	1,300	5983697
	CSCF4860N6D*+TXV	G*VC951155DXB*	40,500	30,800	16.00	13.00	1,300	5983703
	CSCF4860N6D*+TXV	A*VC950905DXB*	40,500	30,800	16.00	13.00	1,300	5983994
	CSCF4860N6D*+TXV	A*VC951155DXB*	40,500	30,800	16.00	13.00	1,300	5984000
	CSCF4860N6D*+TXV	A*VC950704CXB*	40,000	30,400	14.50	12.00	1,320	5984064
	CSCF4860N6D*+TXV	A*VC950905CXB*	41,000	31,200	14.50	12.00	1,280	5984070
	CSCF4860N6D*+TXV	A*VM961155DXB*	40,500	30,800	16.00	13.00	1,300	6521088
	CSCF4860N6D*+TXV	G*VM961155DXB*	40,500	30,800	16.00	13.00	1,300	6521089
	CSCF4860N6D*+TXV	G*VM961005DXB*	40,500	30,800	16.00	13.00	1,300	6521090
CSCF4860N6D*+TXV	A*VM961005DXB*	40,500	30,800	16.00	13.00	1,300	6521091	
DV48PTCC14A*		40,000	30,400	14.50	12.00	1,300	7040830	
GSX16 0481F*	ARPT48D14A*		45,000	34,200	14.50	12.00	1,435	5983729
	ARPT60D14A*		45,000	34,200	14.50	12.00	1,455	5983730
	ARUF48D14A*		44,500	34,000	14.00	12.00	1,480	5987011
	ARUF60D14A*		44,500	34,000	14.00	12.00	1,355	5987012
	ASPT48C14A*		43,000	32,800	14.00	12.00	1,400	7040831
	ASPT48D14A*		45,000	34,200	16.00	13.00	1,400	5756177
	ASUF49C14A*		43,000	32,800	13.50	11.50	1,435	5987013
	ASUF49C14A*+TXV		43,000	32,800	14.00	11.50	1,435	5983731
	AVPTC48C14A*		43,000	32,800	14.00	12.00	1,445	7040832
	AVPTC48D14A*		45,000	34,200	16.00	13.00	1,350	5924358
	CA*F4860*6D*	G*E80805C*B*	44,000	33,600	14.50	12.00	1,480	5987021
	CA*F4860*6D*	G*E80805D*A*	44,000	33,600	15.00	12.50	1,490	5987025
	CA*F4860*6D*	G*E81005C*B*	44,000	33,600	14.50	12.00	1,390	5987029
	CA*F4860*6D*	G*VC80805C*B*	44,000	33,600	14.50	12.00	1,385	5987033

See Notes on Page 60.

OUTDOOR UNIT	INDOOR UNITS		COOLING RATINGS				CFM	AHRI #
	COILS/AIR HANDLERS	FURNACES	TOTAL ¹	SENS. ¹	SEER ²	EER ³		
GSX16 0481F* (cont.)	CA*F4860*6D*	G*VC81005C*B*	44,000	33,600	14.50	12.00	1,520	5987036
	CA*F4860*6D*	G*VC950905CXB*	44,000	33,600	14.50	12.00	1,440	5987039
	CA*F4860*6D*	G*VC950905DXB*	44,000	33,600	14.50	12.00	1,420	5987043
	CA*F4860*6D*	G*VC950915DXB*	44,000	33,600	15.00	12.50	1,425	5987047
	CA*F4860*6D*	G*VC951155DXB*	44,000	33,600	15.00	12.50	1,395	5987049
	CA*F4860*6D*	G*VM960805CXB*	44,000	33,600	14.50	12.00	1,440	5987053
	CA*F4860*6D*	G*VM960805DXB*	44,000	33,600	14.50	12.00	1,410	5987056
	CA*F4860*6D*	G*VM961005DXB*	44,000	33,600	14.50	12.00	1,395	5987059
	CA*F4860*6D*	G*VM961155DXB*	44,000	33,600	15.00	12.50	1,395	5987061
	CA*F4860*6D*	GME950805CXA*	44,000	33,600	14.50	12.00	1,485	5987064
	CA*F4860*6D*	GME951005DXA*	44,000	33,600	15.00	12.50	1,470	5987067
	CA*F4860*6D*	A*VC80805C*B*	44,000	33,600	14.50	12.00	1,385	5987361
	CA*F4860*6D*	A*VC81005C*B*	44,000	33,600	14.50	12.00	1,520	5987364
	CA*F4860*6D*	A*VC950905CXB*	44,000	33,600	14.50	12.00	1,440	5987367
	CA*F4860*6D*	A*VC950905DXB*	44,000	33,600	14.50	12.00	1,420	5987371
	CA*F4860*6D*	A*VC950915DXB*	44,000	33,600	15.00	12.50	1,425	5987375
	CA*F4860*6D*	A*VC951155DXB*	44,000	33,600	15.00	12.50	1,395	5987377
	CA*F4860*6D*	A*VM960805CXB*	44,000	33,600	14.50	12.00	1,440	5987381
	CA*F4860*6D*	A*VM960805DXB*	44,000	33,600	14.50	12.00	1,410	5987384
	CA*F4860*6D*	A*VM961005DXB*	44,000	33,600	14.50	12.00	1,395	5987387
	CA*F4860*6D*	A*VM961155DXB*	44,000	33,600	15.00	12.50	1,395	5987389
	CA*F4860*6D*	A*EH800805C*A*	44,000	33,600	14.50	12.00	1,480	6945203
	CA*F4860*6D*	A*EH800805D*A*	44,000	33,600	15.00	12.50	1,490	6945204
	CA*F4860*6D*	A*EH801005C*A*	44,000	33,600	14.50	12.00	1,390	6945205
	CA*F4860*6D*	AMEH960805CXA*	44,000	33,600	14.50	12.00	1,485	6945206
	CA*F4860*6D*	AMEH961005DXA*	44,000	33,600	15.00	12.50	1,470	6945207
	CA*F4860*6D*+EEP		44,000	33,600	14.00	12.00	1,500	5987014
	CA*F4860*6D*+EEP+TXV		44,000	33,600	14.50	12.00	1,500	5983732
	CA*F4860*6D*+MBVC2000*-1A*		44,000	33,600	15.00	12.50	1,475	5987015
	CA*F4860*6D*+MBVC2000*-1A*+TXV		44,000	33,600	15.50	12.50	1,475	5983733
	CA*F4860*6D*+TXV	G*E80805C*B*	44,000	33,600	15.00	12.50	1,480	5983740
	CA*F4860*6D*+TXV	G*E80805D*A*	44,000	33,600	15.50	12.50	1,490	5983744
	CA*F4860*6D*+TXV	G*E81005C*B*	44,000	33,600	15.00	12.50	1,390	5983746
	CA*F4860*6D*+TXV	G*VC80805C*B*	44,000	33,600	15.00	12.50	1,385	5983750
	CA*F4860*6D*+TXV	G*VC81005C*B*	44,000	33,600	15.00	12.50	1,520	5983753
	CA*F4860*6D*+TXV	G*VC950905CXB*	44,000	33,600	15.00	12.50	1,440	5983756
	CA*F4860*6D*+TXV	G*VC950905DXB*	44,000	33,600	15.00	12.50	1,420	5983760
	CA*F4860*6D*+TXV	G*VC950915DXB*	44,000	33,600	15.50	12.50	1,425	5983764
	CA*F4860*6D*+TXV	G*VC951155DXB*	44,000	33,600	15.50	12.50	1,395	5983766
	CA*F4860*6D*+TXV	G*VM960805DXB*	44,000	33,600	15.00	12.50	1,410	5983772
	CA*F4860*6D*+TXV	G*VM961005DXB*	44,000	33,600	15.00	12.50	1,395	5983775
	CA*F4860*6D*+TXV	G*VM961155DXB*	44,000	33,600	15.00	12.50	1,395	5983778
	CA*F4860*6D*+TXV	ADVC80805C*B*	44,000	33,600	15.50	12.50	1,495	5983781
	CA*F4860*6D*+TXV	ADVC81005C*B*	44,000	33,600	15.50	12.50	1,405	5983784
	CA*F4860*6D*+TXV	GME950805CXA*	44,000	33,600	15.00	12.50	1,485	5983787
	CA*F4860*6D*+TXV	GME951005DXA*	44,000	33,600	15.50	12.50	1,470	5983790
	CA*F4860*6D*+TXV	A*VC80805C*B*	44,000	33,600	15.00	12.50	1,385	5984006
	CA*F4860*6D*+TXV	A*VC950905DXB*	44,000	33,600	15.00	12.50	1,420	5984009
	CA*F4860*6D*+TXV	A*VC81005C*B*	44,000	33,600	15.00	12.50	1,520	5984079
	CA*F4860*6D*+TXV	A*VC950905CXB*	44,000	33,600	15.00	12.50	1,440	5984082
CA*F4860*6D*+TXV	A*VC950915DXB*	44,000	33,600	15.50	12.50	1,425	5984086	
CA*F4860*6D*+TXV	A*VC951155DXB*	44,000	33,600	15.50	12.50	1,395	5984088	
CA*F4860*6D*+TXV	A*VM960805DXB*	44,000	33,600	15.00	12.50	1,410	5984094	
CA*F4860*6D*+TXV	A*VM961005DXB*	44,000	33,600	15.00	12.50	1,395	5984097	
CA*F4860*6D*+TXV	A*VM961155DXB*	44,000	33,600	15.00	12.50	1,395	5984100	
CA*F4860*6D*+TXV	A*EH800805C*A*	44,000	33,600	15.00	12.50	1,480	6945208	

See Notes on Page 60.

OUTDOOR UNIT	INDOOR UNITS		COOLING RATINGS				CFM	AHRI #
	COILS/AIR HANDLERS	FURNACES	TOTAL ¹	SENS. ¹	SEER ²	EER ³		
GSX16 0481F* (cont.)	CA*F4860*6D*+TXV	A*EH800805D*A*	44,000	33,600	15.50	12.50	1,490	6945209
	CA*F4860*6D*+TXV	A*EH801005C*A*	44,000	33,600	15.00	12.50	1,390	6945210
	CA*F4860*6D*+TXV	AMEH960805CXA*	44,000	33,600	15.00	12.50	1,485	6945211
	CA*F4860*6D*+TXV	AMEH961005DXA*	44,000	33,600	15.50	12.50	1,470	6945212
	CA*F4961*6D*	G*E80805C*B*	44,500	34,000	15.00	12.50	1,480	5987022
	CA*F4961*6D*	G*E80805D*A*	44,500	34,000	15.50	12.50	1,490	5987026
	CA*F4961*6D*	G*E81005C*B*	44,500	34,000	15.00	12.50	1,390	5987030
	CA*F4961*6D*	G*VC80805C*B*	44,500	34,000	15.00	12.50	1,385	5987034
	CA*F4961*6D*	G*VC81005C*B*	44,500	34,000	15.00	12.50	1,520	5987037
	CA*F4961*6D*	G*VC950905CXB*	44,500	34,000	15.00	12.50	1,440	5987040
	CA*F4961*6D*	G*VC950905DXB*	44,500	34,000	15.00	12.50	1,420	5987044
	CA*F4961*6D*	G*VC950915DXB*	44,500	34,000	15.00	12.50	1,425	5987048
	CA*F4961*6D*	G*VC951155DXB*	44,500	34,000	15.00	12.50	1,395	5987050
	CA*F4961*6D*	G*VM960805CXB*	44,500	34,000	15.00	12.50	1,440	5987054
	CA*F4961*6D*	G*VM960805DXB*	44,500	34,000	15.00	12.50	1,410	5987057
	CA*F4961*6D*	G*VM961155DXB*	44,500	34,000	15.00	12.50	1,395	5987062
	CA*F4961*6D*	GME950805CXA*	44,500	34,000	14.50	12.00	1,485	5987065
	CA*F4961*6D*	GME951005DXA*	44,500	34,000	15.50	12.50	1,470	5987068
	CA*F4961*6D*	A*VC80805C*B*	44,500	34,000	15.00	12.50	1,385	5987362
	CA*F4961*6D*	A*VC81005C*B*	44,500	34,000	15.00	12.50	1,520	5987365
	CA*F4961*6D*	A*VC950905CXB*	44,500	34,000	15.00	12.50	1,440	5987368
	CA*F4961*6D*	A*VC950905DXB*	44,500	34,000	15.00	12.50	1,420	5987372
	CA*F4961*6D*	A*VC950915DXB*	44,500	34,000	15.00	12.50	1,425	5987376
	CA*F4961*6D*	A*VC951155DXB*	44,500	34,000	15.00	12.50	1,395	5987378
	CA*F4961*6D*	A*VM960805CXB*	44,500	34,000	15.00	12.50	1,440	5987382
	CA*F4961*6D*	A*VM960805DXB*	44,500	34,000	15.00	12.50	1,410	5987385
	CA*F4961*6D*	A*VM961155DXB*	44,500	34,000	15.00	12.50	1,395	5987390
	CA*F4961*6D*	A*EH800805C*A*	44,500	34,000	15.00	12.50	1,480	6945213
	CA*F4961*6D*	A*EH800805D*A*	44,500	34,000	15.50	12.50	1,490	6945214
	CA*F4961*6D*	A*EH801005C*A*	44,500	34,000	15.00	12.50	1,390	6945215
	CA*F4961*6D*	AMEH960805CXA*	44,500	34,000	14.50	12.00	1,485	6945216
	CA*F4961*6D*	AMEH961005DXA*	44,500	34,000	15.50	12.50	1,470	6945217
	CA*F4961*6D*+EEP		44,500	34,000	14.00	12.00	1,500	5987016
	CA*F4961*6D*+EEP+TXV		45,500	34,600	14.50	12.00	1,500	5753053
	CA*F4961*6D*+MBVC2000**-1A*		44,500	34,000	15.50	12.50	1,475	5987017
	CA*F4961*6D*+MBVC2000**-1A*+TXV		44,500	34,000	16.00	13.00	1,475	5983734
	CA*F4961*6D*+TXV	G*E80805D*A*	44,500	34,000	16.00	13.00	1,300	5753055
	CA*F4961*6D*+TXV	GME951005DXA*	45,000	34,200	16.00	13.00	1,400	5753057
	CA*F4961*6D*+TXV	G*E80805C*B*	44,500	34,000	15.50	12.50	1,480	5983741
	CA*F4961*6D*+TXV	G*E81005C*B*	44,500	34,000	15.50	12.50	1,390	5983747
	CA*F4961*6D*+TXV	G*VC80805C*B*	44,500	34,000	15.50	12.50	1,385	5983751
	CA*F4961*6D*+TXV	G*VC81005C*B*	44,500	34,000	15.50	12.50	1,520	5983754
	CA*F4961*6D*+TXV	G*VC950905CXB*	44,500	34,000	15.50	12.50	1,440	5983757
	CA*F4961*6D*+TXV	G*VC950905DXB*	44,500	34,000	16.00	13.00	1,450	5983761
	CA*F4961*6D*+TXV	G*VC950915DXB*	44,500	34,000	15.50	12.50	1,425	5983765
	CA*F4961*6D*+TXV	G*VC951155DXB*	44,500	34,000	16.00	13.00	1,400	5983767
	CA*F4961*6D*+TXV	G*VM960805CXB*	44,500	34,000	15.50	12.50	1,440	5983770
CA*F4961*6D*+TXV	G*VM960805DXB*	44,500	34,000	16.00	13.00	1,450	5983773	
CA*F4961*6D*+TXV	G*VM961005DXB*	44,500	34,000	16.00	13.00	1,400	5983776	
CA*F4961*6D*+TXV	G*VM961155DXB*	44,500	34,000	16.00	13.00	1,400	5983779	
CA*F4961*6D*+TXV	ADVC80805C*B*	44,500	34,000	16.00	13.00	1,495	5983782	
CA*F4961*6D*+TXV	ADVC81005C*B*	44,500	34,000	16.00	13.00	1,405	5983785	
CA*F4961*6D*+TXV	GME950805CXA*	44,500	34,000	15.00	12.50	1,485	5983788	
CA*F4961*6D*+TXV	A*VC80805C*B*	44,500	34,000	15.50	12.50	1,385	5984007	
CA*F4961*6D*+TXV	A*VC950905DXB*	44,500	34,000	16.00	13.00	1,450	5984010	
CA*F4961*6D*+TXV	A*VC81005C*B*	44,500	34,000	15.50	12.50	1,520	5984080	

See Notes on Page 60.

OUTDOOR UNIT	INDOOR UNITS		COOLING RATINGS				CFM	AHRI #
	COILS/AIR HANDLERS	FURNACES	TOTAL ¹	SENS. ¹	SEER ²	EER ³		
GSX16 0481F* (cont.)	CA*F4961*6D*+TXV	A*VC950905CXB*	44,500	34,000	15.50	12.50	1,440	5984083
	CA*F4961*6D*+TXV	A*VC950915DXB*	44,500	34,000	15.50	12.50	1,425	5984087
	CA*F4961*6D*+TXV	A*VC951155DXB*	44,500	34,000	16.00	13.00	1,400	5984089
	CA*F4961*6D*+TXV	A*VM960805CXB*	44,500	34,000	15.50	12.50	1,440	5984092
	CA*F4961*6D*+TXV	A*VM960805DXB*	44,500	34,000	16.00	13.00	1,450	5984095
	CA*F4961*6D*+TXV	A*VM961005DXB*	44,500	34,000	16.00	13.00	1,400	5984098
	CA*F4961*6D*+TXV	A*VM961155DXB*	44,500	34,000	16.00	13.00	1,400	5984101
	CA*F4961*6D*+TXV	A*EH800805C*A*	44,500	34,000	15.50	12.50	1,480	6945218
	CA*F4961*6D*+TXV	A*EH800805D*A*	44,500	34,000	16.00	13.00	1,300	6945219
	CA*F4961*6D*+TXV	A*EH801005C*A*	44,500	34,000	15.50	12.50	1,390	6945220
	CA*F4961*6D*+TXV	AMEH960805CXA*	44,500	34,000	15.00	12.50	1,485	6945221
	CA*F4961*6D*+TXV	AMEH961005DXA*	45,000	34,200	16.00	13.00	1,400	6945222
	CAPT4961*4A*	G*E80805C*B*	44,000	33,600	15.00	12.50	1,480	6945525
	CAPT4961*4A*	G*E81005C*B*	44,500	34,000	15.00	12.50	1,390	6945532
	CAPT4961*4A*	A*VC80604B*B*	44,500	34,000	14.50	12.00	1,545	6945538
	CAPT4961*4A*	G*VC80604B*B*	44,500	34,000	14.50	12.00	1,545	6945539
	CAPT4961*4A*	G*VC80805C*B*	44,000	33,600	15.00	12.50	1,385	6945544
	CAPT4961*4A*	G*VC81005C*B*	44,000	33,600	15.00	12.50	1,520	6945549
	CAPT4961*4A*	A*VC950704CXB*	44,000	33,600	15.00	12.50	1,485	6945558
	CAPT4961*4A*	G*VC950704CXB*	44,000	33,600	15.00	12.50	1,485	6945559
	CAPT4961*4A*	A*VC950714CXB*	44,500	34,000	14.50	12.00	1,530	6945570
	CAPT4961*4A*	G*VC950714CXB*	44,500	34,000	14.50	12.00	1,530	6945571
	CAPT4961*4A*	A*VC950905CXB*	44,500	34,000	14.50	12.00	1,440	6945576
	CAPT4961*4A*	G*VC950905CXB*	44,500	34,000	14.50	12.00	1,440	6945577
	CAPT4961*4A*	A*VC950905DXB*	44,500	34,000	15.00	12.50	1,450	6945586
	CAPT4961*4A*	G*VC950905DXB*	44,500	34,000	15.00	12.50	1,450	6945587
	CAPT4961*4A*	A*VC950915DXB*	44,500	34,000	15.00	12.50	1,425	6945596
	CAPT4961*4A*	G*VC950915DXB*	44,500	34,000	15.00	12.50	1,425	6945597
	CAPT4961*4A*	A*VC951155DXB*	44,500	34,000	15.00	12.50	1,400	6945606
	CAPT4961*4A*	G*VC951155DXB*	44,500	34,000	15.00	12.50	1,400	6945607
	CAPT4961*4A*	A*VM960604CXB*	44,000	33,600	15.00	12.50	1,490	6945620
	CAPT4961*4A*	G*VM960604CXB*	44,000	33,600	15.00	12.50	1,490	6945621
	CAPT4961*4A*	A*VM960805CXB*	44,500	34,000	14.50	12.00	1,440	6945630
	CAPT4961*4A*	G*VM960805CXB*	44,500	34,000	14.50	12.00	1,440	6945631
	CAPT4961*4A*	A*VM960805DXB*	44,500	34,000	15.00	12.50	1,450	6945641
	CAPT4961*4A*	G*VM960805DXB*	44,500	34,000	15.00	12.50	1,450	6945642
	CAPT4961*4A*	A*VM961005DXB*	44,500	34,000	15.00	12.50	1,400	6945651
	CAPT4961*4A*	G*VM961005DXB*	44,500	34,000	15.00	12.50	1,400	6945652
	CAPT4961*4A*	A*VM961155DXB*	44,500	34,000	15.00	12.50	1,400	6945660
	CAPT4961*4A*	G*VM961155DXB*	44,500	34,000	15.00	12.50	1,400	6945661
	CAPT4961*4A*	ADVC80805C*B*	44,000	33,600	15.00	12.50	1,495	6945667
	CAPT4961*4A*	ADVC81005C*B*	44,500	34,000	15.00	12.50	1,405	6945671
	CAPT4961*4A*	GME950805CXA*	44,500	34,000	14.50	12.00	1,485	6945676
	CAPT4961*4A*	GME951005DXA*	44,000	33,600	15.00	12.50	1,400	6945682
	CAPT4961*4A*+EEP		44,500	34,000	14.50	12.00	1,500	5983735
	CAPT4961*4A*+MBVC1600**-1A*		44,500	34,000	15.50	12.50	1,500	5983736
	CAPT4961*4A*+MBVC2000**-1A*		44,500	34,000	16.00	13.00	1,475	5983737
	CHPF4860D6D*	G*E80805C*B*	44,500	34,000	14.50	12.00	1,480	5987023
	CHPF4860D6D*	G*E80805D*A*	44,500	34,000	15.50	12.50	1,490	5987027
	CHPF4860D6D*	G*E81005C*B*	44,500	34,000	15.00	12.50	1,390	5987031
CHPF4860D6D*	G*VC80805C*B*	44,500	34,000	15.00	12.50	1,385	5987035	
CHPF4860D6D*	G*VC81005C*B*	44,500	34,000	15.00	12.50	1,520	5987038	
CHPF4860D6D*	G*VC950905CXB*	44,500	34,000	15.00	12.50	1,440	5987041	
CHPF4860D6D*	G*VC950905DXB*	44,500	34,000	15.00	12.50	1,420	5987045	
CHPF4860D6D*	G*VC951155DXB*	44,500	34,000	15.00	12.50	1,395	5987051	
CHPF4860D6D*	G*VM960805CXB*	44,500	34,000	15.00	12.50	1,440	5987055	

See Notes on Page 60.

OUTDOOR UNIT	INDOOR UNITS		COOLING RATINGS				CFM	AHRI #
	COILS/AIR HANDLERS	FURNACES	TOTAL ¹	SENS. ¹	SEER ²	EER ³		
GSX16 0481F* (cont.)	CHPF4860D6D*	G*VM960805DXB*	44,500	34,000	15.00	12.50	1,410	5987058
	CHPF4860D6D*	G*VM961005DXB*	44,500	34,000	15.00	12.50	1,395	5987060
	CHPF4860D6D*	G*VM961155DXB*	44,500	34,000	15.00	12.50	1,395	5987063
	CHPF4860D6D*	GME950805CXA*	44,500	34,000	14.50	12.00	1,485	5987066
	CHPF4860D6D*	GME951005DXA*	44,500	34,000	15.50	12.50	1,470	5987069
	CHPF4860D6D*	A*VC80805C*B*	44,500	34,000	15.00	12.50	1,385	5987363
	CHPF4860D6D*	A*VC81005C*B*	44,500	34,000	15.00	12.50	1,520	5987366
	CHPF4860D6D*	A*VC950905CXB*	44,500	34,000	15.00	12.50	1,440	5987369
	CHPF4860D6D*	A*VC950905DXB*	44,500	34,000	15.00	12.50	1,420	5987373
	CHPF4860D6D*	A*VC951155DXB*	44,500	34,000	15.00	12.50	1,395	5987379
	CHPF4860D6D*	A*VM960805CXB*	44,500	34,000	15.00	12.50	1,440	5987383
	CHPF4860D6D*	A*VM960805DXB*	44,500	34,000	15.00	12.50	1,410	5987386
	CHPF4860D6D*	A*VM961005DXB*	44,500	34,000	15.00	12.50	1,395	5987388
	CHPF4860D6D*	A*VM961155DXB*	44,500	34,000	15.00	12.50	1,395	5987391
	CHPF4860D6D*	A*EH800805C*A*	44,500	34,000	14.50	12.00	1,480	6945223
	CHPF4860D6D*	A*EH800805D*A*	44,500	34,000	15.50	12.50	1,490	6945224
	CHPF4860D6D*	A*EH801005C*A*	44,500	34,000	15.00	12.50	1,390	6945225
	CHPF4860D6D*	AMEH960805CXA*	44,500	34,000	14.50	12.00	1,485	6945226
	CHPF4860D6D*	AMEH961005DXA*	44,500	34,000	15.50	12.50	1,470	6945227
	CHPF4860D6D*+EEP		44,500	34,000	14.00	12.00	1,500	5987018
	CHPF4860D6D*+EEP+TXV		45,500	34,600	14.50	12.00	1,500	5753054
	CHPF4860D6D*+MBVC2000**-.1A*		44,500	34,000	15.50	12.50	1,500	5987019
	CHPF4860D6D*+MBVC2000**-.1A*+TXV		44,500	34,000	16.00	13.00	1,500	5983738
	CHPF4860D6D*+TXV	G*E80805D*A*	44,500	34,000	16.00	13.00	1,300	5753056
	CHPF4860D6D*+TXV	GME951005DXA*	45,000	34,200	16.00	13.00	1,400	5753058
	CHPF4860D6D*+TXV	G*E80805C*B*	44,500	34,000	15.00	12.50	1,480	5983742
	CHPF4860D6D*+TXV	G*E81005C*B*	44,500	34,000	15.50	12.50	1,390	5983748
	CHPF4860D6D*+TXV	G*VC80805C*B*	44,500	34,000	15.50	12.50	1,385	5983752
	CHPF4860D6D*+TXV	G*VC81005C*B*	44,500	34,000	15.50	12.50	1,520	5983755
	CHPF4860D6D*+TXV	G*VC950905CXB*	44,500	34,000	15.50	12.50	1,440	5983758
	CHPF4860D6D*+TXV	G*VC950905DXB*	44,500	34,000	16.00	13.00	1,450	5983762
	CHPF4860D6D*+TXV	G*VC951155DXB*	44,500	34,000	16.00	13.00	1,400	5983768
	CHPF4860D6D*+TXV	G*VM960805CXB*	44,500	34,000	15.50	12.50	1,440	5983771
	CHPF4860D6D*+TXV	G*VM960805DXB*	44,500	34,000	16.00	13.00	1,450	5983774
	CHPF4860D6D*+TXV	G*VM961005DXB*	44,500	34,000	16.00	13.00	1,400	5983777
	CHPF4860D6D*+TXV	G*VM961155DXB*	44,500	34,000	16.00	13.00	1,400	5983780
	CHPF4860D6D*+TXV	GME950805CXA*	44,500	34,000	15.00	12.50	1,485	5983789
	CHPF4860D6D*+TXV	A*VC80805C*B*	44,500	34,000	15.50	12.50	1,385	5984008
	CHPF4860D6D*+TXV	A*VC950905DXB*	44,500	34,000	16.00	13.00	1,450	5984011
	CHPF4860D6D*+TXV	A*VC81005C*B*	44,500	34,000	15.50	12.50	1,520	5984081
	CHPF4860D6D*+TXV	A*VC950905CXB*	44,500	34,000	15.50	12.50	1,440	5984084
	CHPF4860D6D*+TXV	A*VC951155DXB*	44,500	34,000	16.00	13.00	1,400	5984090
	CHPF4860D6D*+TXV	A*VM960805CXB*	44,500	34,000	15.50	12.50	1,440	5984093
	CHPF4860D6D*+TXV	A*VM960805DXB*	44,500	34,000	16.00	13.00	1,450	5984096
	CHPF4860D6D*+TXV	A*VM961005DXB*	44,500	34,000	16.00	13.00	1,400	5984099
	CHPF4860D6D*+TXV	A*VM961155DXB*	44,500	34,000	16.00	13.00	1,400	5984102
	CHPF4860D6D*+TXV	A*EH800805C*A*	44,500	34,000	15.00	12.50	1,480	6945228
	CHPF4860D6D*+TXV	A*EH800805D*A*	44,500	34,000	16.00	13.00	1,300	6945229
CHPF4860D6D*+TXV	A*EH801005C*A*	44,500	34,000	15.50	12.50	1,390	6945230	
CHPF4860D6D*+TXV	AMEH960805CXA*	44,500	34,000	15.00	12.50	1,485	6945231	
CHPF4860D6D*+TXV	AMEH961005DXA*	45,000	34,200	16.00	13.00	1,400	6945232	
CSCF4860N6D*	G*E80805C*B*	44,000	33,600	14.50	12.00	1,480	5987024	
CSCF4860N6D*	G*E80805D*A*	44,000	33,600	15.00	12.50	1,490	5987028	
CSCF4860N6D*	G*E81005C*B*	44,000	33,600	14.50	12.00	1,390	5987032	
CSCF4860N6D*	G*VC950905CXB*	44,000	33,600	14.50	12.00	1,440	5987042	
CSCF4860N6D*	G*VC950905DXB*	44,000	33,600	14.50	12.00	1,420	5987046	

See Notes on Page 60.

OUTDOOR UNIT	INDOOR UNITS		COOLING RATINGS				CFM	AHRI #
	COILS/AIR HANDLERS	FURNACES	TOTAL ¹	SENS. ¹	SEER ²	EER ³		
GSX16 0481F* (cont.)	CSCF4860N6D*	G*VC951155DXB*	44,000	33,600	14.50	12.00	1,395	5987052
	CSCF4860N6D*	A*VC950905CXB*	44,000	33,600	14.50	12.00	1,440	5987370
	CSCF4860N6D*	A*VC950905DXB*	44,000	33,600	14.50	12.00	1,420	5987374
	CSCF4860N6D*	A*VC951155DXB*	44,000	33,600	14.50	12.00	1,395	5987380
	CSCF4860N6D*	A*EH800805C*A*	44,000	33,600	14.50	12.00	1,480	6945233
	CSCF4860N6D*	A*EH800805D*A*	44,000	33,600	15.00	12.50	1,490	6945234
	CSCF4860N6D*	A*EH801005C*A*	44,000	33,600	14.50	12.00	1,390	6945235
	CSCF4860N6D*+EEP		44,000	33,600	14.00	12.00	1,500	5987020
	CSCF4860N6D*+EEP+TXV		44,000	33,600	14.50	12.00	1,500	5983739
	CSCF4860N6D*+TXV	G*E80805C*B*	44,500	34,000	15.00	12.50	1,480	5983743
	CSCF4860N6D*+TXV	G*E80805D*A*	44,500	34,000	15.50	12.50	1,490	5983745
	CSCF4860N6D*+TXV	G*E81005C*B*	44,500	34,000	15.00	12.50	1,390	5983749
	CSCF4860N6D*+TXV	G*VC950905CXB*	44,500	34,000	15.00	12.50	1,440	5983759
	CSCF4860N6D*+TXV	G*VC950905DXB*	44,500	34,000	16.00	13.00	1,450	5983763
	CSCF4860N6D*+TXV	G*VC951155DXB*	44,500	34,000	15.00	12.50	1,395	5983769
	CSCF4860N6D*+TXV	A*VC950905DXB*	44,500	34,000	16.00	13.00	1,450	5984012
	CSCF4860N6D*+TXV	A*VC950905CXB*	44,500	34,000	15.00	12.50	1,440	5984085
	CSCF4860N6D*+TXV	A*VC951155DXB*	44,500	34,000	15.00	12.50	1,395	5984091
	CSCF4860N6D*+TXV	G*VM961005DXB*	44,500	34,000	16.00	13.00	1,400	6521092
	CSCF4860N6D*+TXV	A*VM961005DXB*	44,500	34,000	16.00	13.00	1,400	6521093
	CSCF4860N6D*+TXV	A*EH800805C*A*	44,500	34,000	15.00	12.50	1,480	6945236
	CSCF4860N6D*+TXV	A*EH800805D*A*	44,500	34,000	15.50	12.50	1,490	6945237
	CSCF4860N6D*+TXV	A*EH801005C*A*	44,500	34,000	15.00	12.50	1,390	6945238
DV48PTCC14A*		43,000	32,800	14.00	12.00	1,445	7040833	
GSX16 0601F*	ARPT60D14A*		52,500	40,500	14.00	12.00	1,455	5983791
	ASPT60D14A*		54,000	41,500	16.00	13.00	1,600	5756178
	ASUF49C14A*		50,000	38,500	13.50	11.50	1,525	5987070
	ASUF49C14A*+TXV		50,000	38,500	13.50	11.50	1,525	5983792
	ASUF59D14A*		52,000	40,000	14.50	12.00	1,615	5987071
	ASUF59D14A*+TXV		52,000	40,000	15.00	12.50	1,615	5983793
	AVPTC60D14A*		54,000	41,500	16.00	13.00	1,580	5924359
	CA*F4860*6D*	G*VC950905CXB*	51,500	39,500	14.00	12.00	1,550	5987087
	CA*F4860*6D*	G*VC950905DXB*	51,500	39,500	14.00	12.00	1,540	5987091
	CA*F4860*6D*	G*VC950915DXB*	51,500	39,500	14.50	12.00	1,570	5987095
	CA*F4860*6D*	G*VC951155DXB*	51,500	39,500	14.00	12.00	1,540	5987096
	CA*F4860*6D*	G*VM960805CXB*	51,500	39,500	14.50	12.00	1,550	5987100
	CA*F4860*6D*	G*VM960805DXB*	51,500	39,500	14.50	12.00	1,675	5987103
	CA*F4860*6D*	G*VM961005DXB*	51,500	39,500	14.50	12.00	1,550	5987106
	CA*F4860*6D*	G*VM961155DXB*	51,500	39,500	14.50	12.00	1,550	5987109
	CA*F4860*6D*	A*VC950905CXB*	51,500	39,500	14.00	12.00	1,550	5987396
	CA*F4860*6D*	A*VC950905DXB*	51,500	39,500	14.00	12.00	1,540	5987400
	CA*F4860*6D*	A*VC950915DXB*	51,500	39,500	14.50	12.00	1,570	5987404
	CA*F4860*6D*	A*VC951155DXB*	51,500	39,500	14.00	12.00	1,540	5987405
	CA*F4860*6D*	A*VM960805CXB*	51,500	39,500	14.50	12.00	1,550	5987409
	CA*F4860*6D*	A*VM960805DXB*	51,500	39,500	14.50	12.00	1,675	5987412
	CA*F4860*6D*	A*VM961005DXB*	51,500	39,500	14.50	12.00	1,550	5987415
	CA*F4860*6D*	A*VM961155DXB*	51,500	39,500	14.50	12.00	1,550	5987418
	CA*F4860*6D*+EEP		51,500	39,500	14.00	12.00	1,675	5987072
	CA*F4860*6D*+EEP+TXV		53,000	40,500	14.50	12.00	1,675	5753060
	CA*F4860*6D*+MBVC2000**-1A*		51,500	39,500	14.50	12.00	1,630	5987073
	CA*F4860*6D*+MBVC2000**-1A*+TXV		51,500	39,500	15.00	12.50	1,630	5983794
	CA*F4860*6D*+TXV	G*VC950905CXB*	51,500	39,500	14.50	12.00	1,550	5983810
CA*F4860*6D*+TXV	G*VC950905DXB*	51,500	39,500	14.50	12.00	1,540	5983814	
CA*F4860*6D*+TXV	G*VC950915DXB*	51,500	39,500	15.00	12.50	1,570	5983816	
CA*F4860*6D*+TXV	G*VC951155DXB*	51,500	39,500	14.50	12.00	1,540	5983817	
CA*F4860*6D*+TXV	A*VC950905CXB*	51,500	39,500	14.50	12.00	1,550	5984016	

See Notes on Page 60.

OUTDOOR UNIT	INDOOR UNITS		COOLING RATINGS				CFM	AHRI #
	COILS/AIR HANDLERS	FURNACES	TOTAL ¹	SENS. ¹	SEER ²	EER ³		
GSX16 0601F* (cont.)	CA*F4860*6D*+TXV	A*VC950905DXB*	51,500	39,500	14.50	12.00	1,540	5984020
	CA*F4860*6D*+TXV	A*VC950915DXB*	51,500	39,500	15.00	12.50	1,570	5984022
	CA*F4860*6D*+TXV	A*VC951155DXB*	51,500	39,500	14.50	12.00	1,540	5984023
	CA*F4961*6D*	G*VC80805C*B*	52,000	40,000	14.50	12.00	1,520	5987083
	CA*F4961*6D*	G*VC81005C*B*	52,000	40,000	14.50	12.00	1,500	5987085
	CA*F4961*6D*	G*VC950905CXB*	52,000	40,000	14.50	12.00	1,550	5987088
	CA*F4961*6D*	G*VC950905DXB*	52,000	40,000	14.00	12.00	1,540	5987092
	CA*F4961*6D*	G*VC951155DXB*	52,000	40,000	14.50	12.00	1,540	5987097
	CA*F4961*6D*	G*VM960805CXB*	52,000	40,000	14.50	12.00	1,550	5987101
	CA*F4961*6D*	G*VM960805DXB*	52,000	40,000	14.50	12.00	1,675	5987104
	CA*F4961*6D*	G*VM961005DXB*	52,000	40,000	14.50	12.00	1,550	5987107
	CA*F4961*6D*	G*VM961155DXB*	52,000	40,000	14.50	12.00	1,550	5987110
	CA*F4961*6D*	A*VC80805C*B*	52,000	40,000	14.50	12.00	1,520	5987392
	CA*F4961*6D*	A*VC81005C*B*	52,000	40,000	14.50	12.00	1,500	5987394
	CA*F4961*6D*	A*VC950905CXB*	52,000	40,000	14.50	12.00	1,550	5987397
	CA*F4961*6D*	A*VC950905DXB*	52,000	40,000	14.00	12.00	1,540	5987401
	CA*F4961*6D*	A*VC951155DXB*	52,000	40,000	14.50	12.00	1,540	5987406
	CA*F4961*6D*	A*VM960805CXB*	52,000	40,000	14.50	12.00	1,550	5987410
	CA*F4961*6D*	A*VM960805DXB*	52,000	40,000	14.50	12.00	1,675	5987413
	CA*F4961*6D*	A*VM961005DXB*	52,000	40,000	14.50	12.00	1,550	5987416
	CA*F4961*6D*	A*VM961155DXB*	52,000	40,000	14.50	12.00	1,550	5987419
	CA*F4961*6D*	GME950805CXA*	52,000	40,000	14.50	12.00	1,580	6079824
	CA*F4961*6D*	GME951005DXA*	52,000	40,000	15.50	12.50	1,655	6079873
	CA*F4961*6D*	AMEH960805CXA*	52,000	40,000	14.50	12.00	1,580	6945239
	CA*F4961*6D*	AMEH961005DXA*	52,000	40,000	15.50	12.50	1,655	6945240
	CA*F4961*6D*+EEP		52,000	40,000	14.50	12.00	1,675	5987074
	CA*F4961*6D*+EEP+TXV		54,000	41,500	15.00	12.50	1,675	5753059
	CA*F4961*6D*+MBVC2000**-1A*		52,000	40,000	15.00	12.50	1,675	5987075
	CA*F4961*6D*+MBVC2000**-1A*+TXV		52,000	40,000	15.50	12.50	1,675	5983795
	CA*F4961*6D*+TXV	G*E80805D*A*	53,000	40,500	16.00	13.00	1,500	5753062
	CA*F4961*6D*+TXV	GME951005DXA*	53,000	40,500	16.00	13.00	1,500	5753064
	CA*F4961*6D*+TXV	G*E80805C*B*	52,000	40,000	15.00	12.50	1,645	5983799
	CA*F4961*6D*+TXV	G*E81005C*B*	52,000	40,000	15.00	12.50	1,690	5983803
	CA*F4961*6D*+TXV	G*VC81005C*B*	52,000	40,000	15.00	12.50	1,500	5983807
	CA*F4961*6D*+TXV	G*VC950905CXB*	52,000	40,000	15.00	12.50	1,550	5983811
	CA*F4961*6D*+TXV	G*VC951155DXB*	52,000	40,000	16.00	13.00	1,450	5983818
	CA*F4961*6D*+TXV	G*VM960805DXB*	52,000	40,000	15.00	12.50	1,675	5983822
	CA*F4961*6D*+TXV	G*VM961155DXB*	52,000	40,000	15.50	12.50	1,450	5983825
	CA*F4961*6D*+TXV	ADVC80805C*B*	52,000	40,000	15.00	12.50	1,585	5983827
	CA*F4961*6D*+TXV	ADVC81005C*B*	52,000	40,000	15.00	12.50	1,620	5983829
	CA*F4961*6D*+TXV	GME950805CXA*	52,000	40,000	15.00	12.50	1,580	5983831
	CA*F4961*6D*+TXV	A*VC81005C*B*	52,000	40,000	15.00	12.50	1,500	5984013
	CA*F4961*6D*+TXV	A*VC950905CXB*	52,000	40,000	15.00	12.50	1,550	5984017
	CA*F4961*6D*+TXV	A*VC951155DXB*	52,000	40,000	16.00	13.00	1,450	5984024
	CA*F4961*6D*+TXV	A*VM961155DXB*	52,000	40,000	15.50	12.50	1,450	5984029
	CA*F4961*6D*+TXV	A*VM960805DXB*	52,000	40,000	15.00	12.50	1,675	5984104
	CA*F4961*6D*+TXV	G*VC80805C*B*	52,000	40,000	15.20	12.50	1,520	6107341
	CA*F4961*6D*+TXV	G*VC950905DXB*	52,000	40,000	16.00	13.00	1,450	6107342
	CA*F4961*6D*+TXV	G*VC950915DXB*	52,000	40,000	15.20	12.50	1,570	6107343
	CA*F4961*6D*+TXV	G*VM960805CXB*	52,000	40,000	15.20	12.50	1,550	6107344
CA*F4961*6D*+TXV	G*VM961005DXB*	52,000	40,000	16.00	13.00	1,450	6107345	
CA*F4961*6D*+TXV	A*VC80805C*B*	52,000	40,000	15.20	12.50	1,520	6107354	
CA*F4961*6D*+TXV	A*VC950905DXB*	52,000	40,000	16.00	13.00	1,450	6107355	
CA*F4961*6D*+TXV	A*VC950915DXB*	52,000	40,000	15.20	12.50	1,570	6107356	
CA*F4961*6D*+TXV	A*VM960805CXB*	52,000	40,000	15.20	12.50	1,550	6107357	
CA*F4961*6D*+TXV	A*VM961005DXB*	52,000	40,000	16.00	13.00	1,450	6107358	

See Notes on Page 60.

OUTDOOR UNIT	INDOOR UNITS		COOLING RATINGS				CFM	AHRI #	
	COILS/AIR HANDLERS	FURNACES	TOTAL ¹	SENS. ¹	SEER ²	EER ³			
GSX16 0601F* (cont.)	CA*F4961*6D*+TXV	A*EH800805C*A*	52,000	40,000	15.00	12.50	1,645	6945241	
	CA*F4961*6D*+TXV	A*EH800805D*A*	53,000	40,500	16.00	13.00	1,500	6945242	
	CA*F4961*6D*+TXV	A*EH801005C*A*	52,000	40,000	15.00	12.50	1,690	6945243	
	CA*F4961*6D*+TXV	AMEH960805CXA*	52,000	40,000	15.00	12.50	1,580	6945244	
	CA*F4961*6D*+TXV	AMEH961005DXA*	53,000	40,500	16.00	13.00	1,500	6945245	
	CAPT4961*4A*	G*VC80805C*B*	52,000	40,000	15.00	12.50	1,520	5983806	
	CAPT4961*4A*	G*VC81005C*B*	52,000	40,000	15.00	12.50	1,500	5983808	
	CAPT4961*4A*	ADVC80805C*B*	52,000	40,000	15.00	12.50	1,585	5983828	
	CAPT4961*4A*	ADVC81005C*B*	52,000	40,000	15.00	12.50	1,620	5983830	
	CAPT4961*4A*	A*VC81005C*B*	52,000	40,000	15.00	12.50	1,500	5984014	
	CAPT4961*4A*	A*VC80805C*B*	52,000	40,000	15.00	12.50	1,520	5984103	
	CAPT4961*4A*	G*E80805C*B*	52,000	40,000	15.00	12.50	1,645	6945526	
	CAPT4961*4A*	G*E80805D*A*	52,000	40,000	15.00	12.50	1,500	6945528	
	CAPT4961*4A*	G*E81005C*B*	52,000	40,000	15.00	12.50	1,690	6945533	
	CAPT4961*4A*	A*VC950704CXB*	52,000	40,000	14.50	12.00	1,650	6945560	
	CAPT4961*4A*	G*VC950704CXB*	52,000	40,000	14.50	12.00	1,650	6945561	
	CAPT4961*4A*	A*VC950714CXB*	52,000	40,000	14.50	12.00	1,685	6945572	
	CAPT4961*4A*	G*VC950714CXB*	52,000	40,000	14.50	12.00	1,685	6945573	
	CAPT4961*4A*	A*VC950905CXB*	52,000	40,000	14.50	12.50	1,550	6945578	
	CAPT4961*4A*	G*VC950905CXB*	52,000	40,000	14.50	12.50	1,550	6945579	
	CAPT4961*4A*	A*VC950905DXB*	52,000	40,000	15.00	12.50	1,450	6945588	
	CAPT4961*4A*	G*VC950905DXB*	52,000	40,000	15.00	12.50	1,450	6945589	
	CAPT4961*4A*	A*VC950915DXB*	52,000	40,000	15.00	12.50	1,570	6945598	
	CAPT4961*4A*	G*VC950915DXB*	52,000	40,000	15.00	12.50	1,570	6945599	
	CAPT4961*4A*	A*VC951155DXB*	52,000	40,000	15.00	12.50	1,450	6945608	
	CAPT4961*4A*	G*VC951155DXB*	52,000	40,000	15.00	12.50	1,450	6945609	
	CAPT4961*4A*	A*VM960604CXB*	52,000	40,000	14.50	12.00	1,665	6945622	
	CAPT4961*4A*	G*VM960604CXB*	52,000	40,000	14.50	12.00	1,665	6945623	
	CAPT4961*4A*	A*VM960805CXB*	52,000	40,000	14.50	12.50	1,550	6945632	
	CAPT4961*4A*	G*VM960805CXB*	52,000	40,000	14.50	12.50	1,550	6945633	
	CAPT4961*4A*	A*VM960805DXB*	52,000	40,000	15.00	12.50	1,675	6945643	
	CAPT4961*4A*	G*VM960805DXB*	52,000	40,000	15.00	12.50	1,675	6945644	
	CAPT4961*4A*	A*VM961005DXB*	52,000	40,000	14.50	12.00	1,450	6945653	
	CAPT4961*4A*	G*VM961005DXB*	52,000	40,000	14.50	12.00	1,450	6945654	
	CAPT4961*4A*	A*VM961155DXB*	52,000	40,000	14.50	12.00	1,450	6945662	
	CAPT4961*4A*	G*VM961155DXB*	52,000	40,000	14.50	12.00	1,450	6945663	
	CAPT4961*4A*	GME950805CXA*	52,000	40,000	14.50	12.00	1,580	6945677	
	CAPT4961*4A*	GME951005DXA*	52,000	40,000	15.00	12.50	1,500	6945683	
	CAPT4961*4A*+EEP			52,000	40,000	15.00	12.50	1,675	5983796
	CAPT4961*4A*+MBVC1600**-1A*			52,000	40,000	15.00	12.50	1,560	6945519
	CHPF4860D6D*	G*VC80805C*B*	52,000	40,000	14.50	12.00	1,520	5987084	
	CHPF4860D6D*	G*VC81005C*B*	52,000	40,000	14.50	12.00	1,500	5987086	
	CHPF4860D6D*	G*VC950905CXB*	52,000	40,000	14.50	12.00	1,550	5987089	
	CHPF4860D6D*	G*VC950905DXB*	52,000	40,000	14.50	12.00	1,540	5987093	
	CHPF4860D6D*	G*VC951155DXB*	52,000	40,000	14.50	12.00	1,540	5987098	
	CHPF4860D6D*	G*VM960805CXB*	52,000	40,000	14.50	12.00	1,550	5987102	
	CHPF4860D6D*	G*VM960805DXB*	52,000	40,000	14.50	12.00	1,675	5987105	
	CHPF4860D6D*	G*VM961005DXB*	52,000	40,000	14.50	12.00	1,550	5987108	
	CHPF4860D6D*	G*VM961155DXB*	52,000	40,000	14.50	12.00	1,550	5987111	
	CHPF4860D6D*	A*VC80805C*B*	52,000	40,000	14.50	12.00	1,520	5987393	
CHPF4860D6D*	A*VC81005C*B*	52,000	40,000	14.50	12.00	1,500	5987395		
CHPF4860D6D*	A*VC950905CXB*	52,000	40,000	14.50	12.00	1,550	5987398		
CHPF4860D6D*	A*VC950905DXB*	52,000	40,000	14.50	12.00	1,540	5987402		
CHPF4860D6D*	A*VC951155DXB*	52,000	40,000	14.50	12.00	1,540	5987407		
CHPF4860D6D*	A*VM960805CXB*	52,000	40,000	14.50	12.00	1,550	5987411		
CHPF4860D6D*	A*VM960805DXB*	52,000	40,000	14.50	12.00	1,675	5987414		

See Notes on Page 60.

OUTDOOR UNIT	INDOOR UNITS		COOLING RATINGS				CFM	AHRI #
	COILS/AIR HANDLERS	FURNACES	TOTAL ¹	SENS. ¹	SEER ²	EER ³		
GSX16 0601F* (cont.)	CHPF4860D6D*	A*VM961005DXB*	52,000	40,000	14.50	12.00	1,550	5987417
	CHPF4860D6D*	A*VM961155DXB*	52,000	40,000	14.50	12.00	1,550	5987420
	CHPF4860D6D*	G*E81005C*B*	52,000	40,000	14.50	12.00	1,690	6079825
	CHPF4860D6D*	G*E80805C*B*	52,000	40,000	14.50	12.00	1,645	6079874
	CHPF4860D6D*	GME950805CXA*	52,000	40,000	14.50	12.00	1,580	6079875
	CHPF4860D6D*	GME951005DXA*	52,000	40,000	15.50	12.50	1,655	6079876
	CHPF4860D6D*	A*EH800805C*A*	52,000	40,000	14.50	12.00	1,645	6945246
	CHPF4860D6D*	A*EH801005C*A*	52,000	40,000	14.50	12.00	1,690	6945247
	CHPF4860D6D*	AMEH960805CXA*	52,000	40,000	14.50	12.00	1,580	6945248
	CHPF4860D6D*	AMEH961005DXA*	52,000	40,000	15.50	12.50	1,655	6945249
	CHPF4860D6D*+EEP		52,000	40,000	14.50	12.00	1,675	5987076
	CHPF4860D6D*+EEP+TXV		53,500	41,000	15.00	12.50	1,675	5753061
	CHPF4860D6D*+MBVC2000** -1A*		52,000	40,000	15.00	12.50	1,675	5987077
	CHPF4860D6D*+TXV	G*E80805D*A*	53,000	40,500	16.00	13.00	1,500	5753063
	CHPF4860D6D*+TXV	GME951005DXA*	53,000	40,500	16.00	13.00	1,500	5753065
	CHPF4860D6D*+TXV	G*E81005C*B*	52,000	40,000	15.00	12.50	1,690	5983804
	CHPF4860D6D*+TXV	G*VC81005C*B*	52,000	40,000	15.00	12.50	1,500	5983809
	CHPF4860D6D*+TXV	G*VC950905CXB*	52,000	40,000	15.00	12.50	1,550	5983812
	CHPF4860D6D*+TXV	G*VC951155DXB*	52,000	40,000	16.00	13.00	1,450	5983819
	CHPF4860D6D*+TXV	G*VM960805CXB*	52,000	40,000	15.00	12.50	1,550	5983821
	CHPF4860D6D*+TXV	G*VM960805DXB*	52,000	40,000	15.00	12.50	1,675	5983823
	CHPF4860D6D*+TXV	G*VM961005DXB*	52,000	40,000	16.00	13.00	1,450	5983824
	CHPF4860D6D*+TXV	G*VM961155DXB*	52,000	40,000	15.50	12.50	1,450	5983826
	CHPF4860D6D*+TXV	A*VC81005C*B*	52,000	40,000	15.00	12.50	1,500	5984015
	CHPF4860D6D*+TXV	A*VC950905CXB*	52,000	40,000	15.00	12.50	1,550	5984018
	CHPF4860D6D*+TXV	A*VC951155DXB*	52,000	40,000	16.00	13.00	1,450	5984025
	CHPF4860D6D*+TXV	A*VM960805CXB*	52,000	40,000	15.00	12.50	1,550	5984027
	CHPF4860D6D*+TXV	A*VM961005DXB*	52,000	40,000	16.00	13.00	1,450	5984028
	CHPF4860D6D*+TXV	A*VM961155DXB*	52,000	40,000	15.50	12.50	1,450	5984030
	CHPF4860D6D*+TXV	A*VM960805DXB*	52,000	40,000	15.00	12.50	1,675	5984105
	CHPF4860D6D*+TXV	G*E80805C*B*	52,000	40,000	15.20	12.50	1,645	6107346
	CHPF4860D6D*+TXV	G*VC80805C*B*	52,000	40,000	15.20	12.50	1,520	6107347
	CHPF4860D6D*+TXV	G*VC950905DXB*	52,000	40,000	16.00	13.00	1,450	6107348
	CHPF4860D6D*+TXV	GME950805CXA*	52,000	40,000	15.20	12.50	1,580	6107349
	CHPF4860D6D*+TXV	A*VC80805C*B*	52,000	40,000	15.20	12.50	1,520	6107359
	CHPF4860D6D*+TXV	A*VC950905DXB*	52,000	40,000	16.00	13.00	1,450	6107360
	CHPF4860D6D*+TXV	A*EH800805C*A*	52,000	40,000	15.20	12.50	1,645	6945250
	CHPF4860D6D*+TXV	A*EH800805D*A*	53,000	40,500	16.00	13.00	1,500	6945251
	CHPF4860D6D*+TXV	A*EH801005C*A*	52,000	40,000	15.00	12.50	1,690	6945252
	CHPF4860D6D*+TXV	AMEH960805CXA*	52,000	40,000	15.20	12.50	1,580	6945253
	CHPF4860D6D*+TXV	AMEH961005DXA*	53,000	40,500	16.00	13.00	1,500	6945254
	CSCF4860N6D*	G*VC950905CXB*	51,500	39,500	14.00	12.00	1,550	5987090
	CSCF4860N6D*	G*VC950905DXB*	51,500	39,500	14.00	12.00	1,540	5987094
	CSCF4860N6D*	G*VC951155DXB*	51,500	39,500	14.00	12.00	1,540	5987099
	CSCF4860N6D*	A*VC950905CXB*	51,500	39,500	14.00	12.00	1,550	5987399
CSCF4860N6D*	A*VC950905DXB*	51,500	39,500	14.00	12.00	1,540	5987403	
CSCF4860N6D*	A*VC951155DXB*	51,500	39,500	14.00	12.00	1,540	5987408	
CSCF4860N6D*	G*E80805C*B*	51,500	39,500	14.50	12.00	1,645	6079826	
CSCF4860N6D*	G*E81005C*B*	51,500	39,500	14.50	12.00	1,690	6079827	
CSCF4860N6D*	GME951005DXA*	51,500	39,500	15.00	12.50	1,655	6079828	
CSCF4860N6D*	GME950805CXA*	51,500	39,500	14.50	12.00	1,580	6079877	
CSCF4860N6D*	A*EH800805C*A*	51,500	39,500	14.50	12.00	1,645	6945255	
CSCF4860N6D*	A*EH801005C*A*	51,500	39,500	14.50	12.00	1,690	6945256	
CSCF4860N6D*	AMEH960805CXA*	51,500	39,500	14.50	12.00	1,580	6945257	
CSCF4860N6D*	AMEH961005DXA*	51,500	39,500	15.00	12.50	1,655	6945258	
CSCF4860N6D*+EEP		51,500	39,500	14.00	12.00	1,675	5987078	

See Notes on Page 60.

OUTDOOR UNIT	INDOOR UNITS		COOLING RATINGS				CFM	AHRI #
	COILS/AIR HANDLERS	FURNACES	TOTAL ¹	SENS. ¹	SEER ²	EER ³		
GSX16 0601F* (cont.)	CSCF4860N6D*+EEP+TXV		51,500	39,500	14.50	12.00	1,675	5983797
	CSCF4860N6D*+TXV	G*E80805C*B*	51,500	39,500	15.00	12.50	1,645	5983800
	CSCF4860N6D*+TXV	G*E80805D*A*	51,500	39,500	15.50	12.50	1,690	5983801
	CSCF4860N6D*+TXV	G*E81005C*B*	51,500	39,500	15.00	12.50	1,690	5983805
	CSCF4860N6D*+TXV	G*VC950905CXB*	51,500	39,500	14.50	12.00	1,550	5983813
	CSCF4860N6D*+TXV	G*VC950905DXB*	51,500	39,500	14.50	12.00	1,540	5983815
	CSCF4860N6D*+TXV	G*VC951155DXB*	51,500	39,500	14.50	12.00	1,540	5983820
	CSCF4860N6D*+TXV	GME950805CXA*	51,500	39,500	14.50	12.00	1,580	5983832
	CSCF4860N6D*+TXV	GME951005DXA*	51,500	39,500	15.50	12.50	1,655	5983833
	CSCF4860N6D*+TXV	A*VC950905CXB*	51,500	39,500	14.50	12.00	1,550	5984019
	CSCF4860N6D*+TXV	A*VC950905DXB*	51,500	39,500	14.50	12.00	1,540	5984021
	CSCF4860N6D*+TXV	A*VC951155DXB*	51,500	39,500	14.50	12.00	1,540	5984026
	CSCF4860N6D*+TXV	A*EH800805C*A*	51,500	39,500	15.00	12.50	1,645	6945259
	CSCF4860N6D*+TXV	A*EH800805D*A*	51,500	39,500	15.50	12.50	1,690	6945260
	CSCF4860N6D*+TXV	A*EH801005C*A*	51,500	39,500	15.00	12.50	1,690	6945261
	CSCF4860N6D*+TXV	AMEH960805CXA*	51,500	39,500	14.50	12.00	1,580	6945262
CSCF4860N6D*+TXV	AMEH961005DXA*	51,500	39,500	15.50	12.50	1,655	6945263	
GSX16 0611F*	ASPT60D14A*		57,000	40,000	14.00	12.00	1,620	6762955
	ASUF59D14A*		55,500	39,000	13.50	11.50	1,600	6836567
	ASUF59D14A*+TXV		56,000	39,000	14.00	11.50	1,600	6762954
	AVPTC60D14A*		57,000	40,000	14.00	12.00	1,620	6762956
	CA*F4961*6D*	G*E80805C*B*	56,500	39,500	14.00	11.50	1,525	6836574
	CA*F4961*6D*	G*E81005C*B*	56,500	39,500	13.50	11.50	1,600	6836580
	CA*F4961*6D*	GME950805CXA*	56,500	39,500	13.50	11.00	1,565	6836583
	CA*F4961*6D*	GME951005DXA*	56,500	39,500	14.00	11.50	1,470	6836586
	CA*F4961*6D*	A*VC80805C*B*	56,500	39,500	14.00	11.50	1,560	6836589
	CA*F4961*6D*	ADVC80805C*B*	56,500	39,500	14.00	11.50	1,560	6836590
	CA*F4961*6D*	G*VC80805C*B*	56,500	39,500	14.00	11.50	1,560	6836591
	CA*F4961*6D*	A*VC81005C*B*	56,500	39,500	14.00	11.50	1,525	6836596
	CA*F4961*6D*	ADVC81005C*B*	56,500	39,500	14.00	11.50	1,525	6836597
	CA*F4961*6D*	G*VC81005C*B*	56,500	39,500	14.00	11.50	1,525	6836598
	CA*F4961*6D*	A*VC950905CXB*	56,500	39,500	13.50	11.00	1,580	6836603
	CA*F4961*6D*	A*VC950905DXB*	56,500	39,500	14.00	11.50	1,575	6836604
	CA*F4961*6D*	G*VC950905CXB*	56,500	39,500	13.50	11.00	1,580	6836605
	CA*F4961*6D*	G*VC950905DXB*	56,500	39,500	14.00	11.50	1,575	6836606
	CA*F4961*6D*	A*VC951155DXB*	56,500	39,500	14.00	11.50	1,550	6836615
	CA*F4961*6D*	G*VC951155DXB*	56,500	39,500	14.00	11.50	1,550	6836616
	CA*F4961*6D*	A*VM960805CXB*	56,500	39,500	13.50	11.00	1,590	6836621
	CA*F4961*6D*	A*VM960805DXB*	56,500	39,500	14.00	11.50	1,575	6836622
	CA*F4961*6D*	G*VM960805CXB*	56,500	39,500	13.50	11.00	1,590	6836623
	CA*F4961*6D*	G*VM960805DXB*	56,500	39,500	14.00	11.50	1,575	6836624
	CA*F4961*6D*	A*VM961005DXB*	56,500	39,500	14.00	11.50	1,575	6836633
	CA*F4961*6D*	G*VM961005DXB*	56,500	39,500	14.00	11.50	1,575	6836634
	CA*F4961*6D*	A*VM961155DXB*	56,500	39,500	14.00	11.50	1,550	6836639
	CA*F4961*6D*	G*VM961155DXB*	56,500	39,500	14.00	11.50	1,550	6836640
	CA*F4961*6D*	G*E80805D*A*	56,500	39,500	14.00	11.50	1,500	6836650
	CA*F4961*6D*	A*EH800805C*A*	56,500	39,500	14.00	11.50	1,525	6945264
	CA*F4961*6D*	A*EH800805D*A*	56,500	39,500	14.00	11.50	1,500	6945265
	CA*F4961*6D*	A*EH801005C*A*	56,500	39,500	13.50	11.50	1,600	6945266
	CA*F4961*6D*	AMEH960805CXA*	56,500	39,500	13.50	11.00	1,565	6945267
CA*F4961*6D*	AMEH961005DXA*	56,500	39,500	14.00	11.50	1,470	6945268	
CA*F4961*6D*+EEP		56,500	39,500	13.50	11.00	1,545	6836568	
CA*F4961*6D*+EEP+TXV		57,000	40,000	14.00	11.50	1,545	6809884	
CA*F4961*6D*+MBVC2000**-1A*		56,500	39,500	14.00	11.50	1,620	6836569	
CA*F4961*6D*+MBVC2000**-1A*+TXV		57,000	40,000	14.50	12.00	1,620	6762912	
CA*F4961*6D*+TXV	A*VC80805C*B*	57,000	40,000	14.50	12.00	1,560	6762841	

See Notes on Page 60.

OUTDOOR UNIT	INDOOR UNITS		COOLING RATINGS				CFM	AHRI #
	COILS/AIR HANDLERS	FURNACES	TOTAL ¹	SENS. ¹	SEER ²	EER ³		
GSX16 0611F* (cont.)	CA*F4961*6D*+TXV	A*VC81005C*B*	57,000	40,000	14.50	12.00	1,525	6762844
	CA*F4961*6D*+TXV	A*VC950905CXB*	57,000	40,000	14.00	11.50	1,580	6762847
	CA*F4961*6D*+TXV	A*VC950905DXB*	57,000	40,000	14.50	12.00	1,575	6762850
	CA*F4961*6D*+TXV	A*VC951155DXB*	57,000	40,000	14.50	12.00	1,550	6762853
	CA*F4961*6D*+TXV	A*VM960805CXB*	57,000	40,000	14.00	11.50	1,590	6762856
	CA*F4961*6D*+TXV	A*VM960805DXB*	57,000	40,000	14.50	12.00	1,575	6762859
	CA*F4961*6D*+TXV	A*VM961005DXB*	57,000	40,000	14.50	12.00	1,575	6762862
	CA*F4961*6D*+TXV	A*VM961155DXB*	57,000	40,000	14.50	12.00	1,550	6762865
	CA*F4961*6D*+TXV	ADVC80805C*B*	57,000	40,000	14.50	12.00	1,560	6762868
	CA*F4961*6D*+TXV	ADVC81005C*B*	57,000	40,000	14.50	12.00	1,525	6762869
	CA*F4961*6D*+TXV	G*E80805C*B*	57,000	40,000	14.50	12.00	1,525	6762870
	CA*F4961*6D*+TXV	G*E81005C*B*	57,000	40,000	14.50	12.00	1,600	6762873
	CA*F4961*6D*+TXV	G*VC80805C*B*	57,000	40,000	14.50	12.00	1,560	6762876
	CA*F4961*6D*+TXV	G*VC81005C*B*	57,000	40,000	14.50	12.00	1,525	6762879
	CA*F4961*6D*+TXV	G*VC950905CXB*	57,000	40,000	14.00	11.50	1,580	6762882
	CA*F4961*6D*+TXV	G*VC950905DXB*	57,000	40,000	14.50	12.00	1,575	6762885
	CA*F4961*6D*+TXV	G*VC951155DXB*	57,000	40,000	14.50	12.00	1,550	6762888
	CA*F4961*6D*+TXV	G*VM960805CXB*	57,000	40,000	14.00	11.50	1,590	6762891
	CA*F4961*6D*+TXV	G*VM960805DXB*	57,000	40,000	14.50	12.00	1,575	6762894
	CA*F4961*6D*+TXV	G*VM961005DXB*	57,000	40,000	14.50	12.00	1,575	6762897
	CA*F4961*6D*+TXV	G*VM961155DXB*	57,000	40,000	14.50	12.00	1,550	6762900
	CA*F4961*6D*+TXV	GME950805CXA*	57,000	40,000	14.00	11.50	1,565	6762903
	CA*F4961*6D*+TXV	GME951005DXA*	57,000	40,000	14.50	12.00	1,470	6762906
	CA*F4961*6D*+TXV	G*E80805D*A*	57,000	40,000	14.50	12.00	1,500	6762915
	CA*F4961*6D*+TXV	A*EH800805C*A*	57,000	40,000	14.50	12.00	1,525	6945269
	CA*F4961*6D*+TXV	A*EH800805D*A*	57,000	40,000	14.50	12.00	1,500	6945270
	CA*F4961*6D*+TXV	A*EH801005C*A*	57,000	40,000	14.50	12.00	1,600	6945271
	CA*F4961*6D*+TXV	AMEH960805CXA*	57,000	40,000	14.00	11.50	1,565	6945272
	CA*F4961*6D*+TXV	AMEH961005DXA*	57,000	40,000	14.50	12.00	1,470	6945273
	CHPF4860D6D*	G*E80805C*B*	56,500	39,500	14.00	11.50	1,525	6836575
	CHPF4860D6D*	G*E81005C*B*	56,500	39,500	13.50	11.50	1,600	6836581
	CHPF4860D6D*	GME950805CXA*	56,500	39,500	13.50	11.00	1,565	6836584
	CHPF4860D6D*	GME951005DXA*	56,500	39,500	14.00	11.50	1,470	6836587
	CHPF4860D6D*	A*VC80805C*B*	56,500	39,500	14.00	11.50	1,560	6836592
	CHPF4860D6D*	G*VC80805C*B*	56,500	39,500	14.00	11.50	1,560	6836593
	CHPF4860D6D*	A*VC81005C*B*	56,500	39,500	14.00	11.50	1,525	6836599
	CHPF4860D6D*	G*VC81005C*B*	56,500	39,500	14.00	11.50	1,525	6836600
	CHPF4860D6D*	A*VC950905CXB*	56,500	39,500	13.50	11.50	1,580	6836607
	CHPF4860D6D*	A*VC950905DXB*	56,500	39,500	14.00	11.50	1,575	6836608
	CHPF4860D6D*	G*VC950905CXB*	56,500	39,500	13.50	11.50	1,580	6836609
	CHPF4860D6D*	G*VC950905DXB*	56,500	39,500	14.00	11.50	1,575	6836610
	CHPF4860D6D*	A*VC951155DXB*	56,500	39,500	14.00	11.50	1,550	6836617
	CHPF4860D6D*	G*VC951155DXB*	56,500	39,500	14.00	11.50	1,550	6836618
	CHPF4860D6D*	A*VM960805CXB*	56,500	39,500	13.50	11.00	1,590	6836625
	CHPF4860D6D*	A*VM960805DXB*	56,500	39,500	14.00	11.50	1,575	6836626
	CHPF4860D6D*	G*VM960805CXB*	56,500	39,500	13.50	11.00	1,590	6836627
	CHPF4860D6D*	G*VM960805DXB*	56,500	39,500	14.00	11.50	1,575	6836628
	CHPF4860D6D*	A*VM961005DXB*	56,500	39,500	14.00	11.50	1,575	6836635
	CHPF4860D6D*	G*VM961005DXB*	56,500	39,500	14.00	11.50	1,575	6836636
	CHPF4860D6D*	A*VM961155DXB*	56,500	39,500	14.00	11.50	1,550	6836641
CHPF4860D6D*	G*VM961155DXB*	56,500	39,500	14.00	11.50	1,550	6836642	
CHPF4860D6D*	G*E80805D*A*	56,500	39,500	14.00	11.50	1,500	6836651	
CHPF4860D6D*	A*EH800805C*A*	56,500	39,500	14.00	11.50	1,525	6945274	
CHPF4860D6D*	A*EH800805D*A*	56,500	39,500	14.00	11.50	1,500	6945275	
CHPF4860D6D*	A*EH801005C*A*	56,500	39,500	13.50	11.50	1,600	6945276	

See Notes on Page 60.

OUTDOOR UNIT	INDOOR UNITS		COOLING RATINGS				CFM	AHRI #
	COILS/AIR HANDLERS	FURNACES	TOTAL ¹	SENS. ¹	SEER ²	EER ³		
GSX16 0611F* (cont.)	CHPF4860D6D*	AMEH960805CXA*	56,500	39,500	13.50	11.00	1,565	6945277
	CHPF4860D6D*	AMEH961005DXA*	56,500	39,500	14.00	11.50	1,470	6945278
	CHPF4860D6D*+EFP		56,500	39,500	13.50	11.00	1,545	6836570
	CHPF4860D6D*+EFP+TXV		57,000	40,000	14.00	11.50	1,545	6762910
	CHPF4860D6D*+MBVC2000**-1A*		56,500	39,500	14.00	11.50	1,620	6836571
	CHPF4860D6D*+MBVC2000**-1A*+TXV		57,000	40,000	14.50	12.00	1,620	6762913
	CHPF4860D6D*+TXV	A*VC80805C*B*	57,000	40,000	14.50	12.00	1,560	6762842
	CHPF4860D6D*+TXV	A*VC81005C*B*	57,000	40,000	14.50	12.00	1,525	6762845
	CHPF4860D6D*+TXV	A*VC950905CXB*	57,000	40,000	14.00	11.50	1,580	6762848
	CHPF4860D6D*+TXV	A*VC950905DXB*	57,000	40,000	14.50	12.00	1,575	6762851
	CHPF4860D6D*+TXV	A*VC951155DXB*	57,000	40,000	14.50	12.00	1,550	6762854
	CHPF4860D6D*+TXV	A*VM960805CXB*	57,000	40,000	14.00	11.50	1,590	6762857
	CHPF4860D6D*+TXV	A*VM960805DXB*	57,000	40,000	14.50	12.00	1,575	6762860
	CHPF4860D6D*+TXV	A*VM961005DXB*	57,000	40,000	14.50	12.00	1,575	6762863
	CHPF4860D6D*+TXV	A*VM961155DXB*	57,000	40,000	14.50	12.00	1,550	6762866
	CHPF4860D6D*+TXV	G*E80805C*B*	57,000	40,000	14.50	12.00	1,525	6762871
	CHPF4860D6D*+TXV	G*E81005C*B*	57,000	40,000	14.50	12.00	1,600	6762874
	CHPF4860D6D*+TXV	G*VC80805C*B*	57,000	40,000	14.50	12.00	1,560	6762877
	CHPF4860D6D*+TXV	G*VC81005C*B*	57,000	40,000	14.50	12.00	1,525	6762880
	CHPF4860D6D*+TXV	G*VC950905CXB*	57,000	40,000	14.00	11.50	1,580	6762883
	CHPF4860D6D*+TXV	G*VC950905DXB*	57,000	40,000	14.50	12.00	1,575	6762886
	CHPF4860D6D*+TXV	G*VC951155DXB*	57,000	40,000	14.50	12.00	1,550	6762889
	CHPF4860D6D*+TXV	G*VM960805CXB*	57,000	40,000	14.00	11.50	1,590	6762892
	CHPF4860D6D*+TXV	G*VM960805DXB*	57,000	40,000	14.50	12.00	1,575	6762895
	CHPF4860D6D*+TXV	G*VM961005DXB*	57,000	40,000	14.50	12.00	1,575	6762898
	CHPF4860D6D*+TXV	G*VM961155DXB*	57,000	40,000	14.50	12.00	1,550	6762901
	CHPF4860D6D*+TXV	GME950805CXA*	57,000	40,000	14.00	11.50	1,565	6762904
	CHPF4860D6D*+TXV	GME951005DXA*	57,000	40,000	14.50	12.00	1,470	6762907
	CHPF4860D6D*+TXV	G*E80805D*A*	57,000	40,000	14.50	12.00	1,500	6762916
	CHPF4860D6D*+TXV	A*EH800805C*A*	57,000	40,000	14.50	12.00	1,525	6945279
	CHPF4860D6D*+TXV	A*EH800805D*A*	57,000	40,000	14.50	12.00	1,500	6945280
	CHPF4860D6D*+TXV	A*EH801005C*A*	57,000	40,000	14.50	12.00	1,600	6945281
	CHPF4860D6D*+TXV	AMEH960805CXA*	57,000	40,000	14.00	11.50	1,565	6945282
	CHPF4860D6D*+TXV	AMEH961005DXA*	57,000	40,000	14.50	12.00	1,470	6945283
	CSCF4860N6D*	G*E80805C*B*	56,500	39,500	14.00	11.50	1,525	6836576
	CSCF4860N6D*	G*E81005C*B*	56,500	39,500	13.50	11.50	1,600	6836582
	CSCF4860N6D*	GME950805CXA*	56,500	39,500	13.50	11.00	1,555	6836585
	CSCF4860N6D*	GME951005DXA*	56,500	39,500	14.00	11.50	1,470	6836588
	CSCF4860N6D*	A*VC80805C*B*	56,500	39,500	14.00	11.50	1,560	6836594
	CSCF4860N6D*	G*VC80805C*B*	56,500	39,500	14.00	11.50	1,560	6836595
	CSCF4860N6D*	A*VC81005C*B*	56,500	39,500	14.00	11.50	1,525	6836601
	CSCF4860N6D*	G*VC81005C*B*	56,500	39,500	14.00	11.50	1,525	6836602
	CSCF4860N6D*	A*VC950905CXB*	56,500	39,500	13.50	11.00	1,580	6836611
	CSCF4860N6D*	A*VC950905DXB*	56,500	39,500	14.00	11.50	1,575	6836612
	CSCF4860N6D*	G*VC950905CXB*	56,500	39,500	13.50	11.00	1,580	6836613
	CSCF4860N6D*	G*VC950905DXB*	56,500	39,500	14.00	11.50	1,575	6836614
	CSCF4860N6D*	A*VC951155DXB*	56,500	39,500	14.00	11.50	1,550	6836619
	CSCF4860N6D*	G*VC951155DXB*	56,500	39,500	14.00	11.50	1,550	6836620
	CSCF4860N6D*	A*VM960805CXB*	56,500	39,500	13.50	11.00	1,590	6836629
	CSCF4860N6D*	A*VM960805DXB*	56,500	39,500	14.00	11.50	1,575	6836630
CSCF4860N6D*	G*VM960805CXB*	56,500	39,500	13.50	11.00	1,590	6836631	
CSCF4860N6D*	G*VM960805DXB*	56,500	39,500	14.00	11.50	1,575	6836632	
CSCF4860N6D*	A*VM961005DXB*	56,500	39,500	14.00	11.50	1,575	6836637	
CSCF4860N6D*	G*VM961005DXB*	56,500	39,500	14.00	11.50	1,575	6836638	
CSCF4860N6D*	A*VM961155DXB*	56,500	39,500	14.00	11.50	1,550	6836643	

See Notes on Page 60.

OUTDOOR UNIT	INDOOR UNITS		COOLING RATINGS				CFM	AHRI #
	COILS/AIR HANDLERS	FURNACES	TOTAL ¹	SENS. ¹	SEER ²	EER ³		
GSX16 0611F* (cont.)	CSCF4860N6D*	G*VM961155DXB*	56,500	39,500	14.00	11.50	1,550	6836644
	CSCF4860N6D*	G*E80805D*A*	56,500	39,500	14.00	11.50	1,500	6836652
	CSCF4860N6D*	A*EH800805C*A*	56,500	39,500	14.00	11.50	1,525	6945284
	CSCF4860N6D*	A*EH800805D*A*	56,500	39,500	14.00	11.50	1,500	6945285
	CSCF4860N6D*	A*EH801005C*A*	56,500	39,500	13.50	11.50	1,600	6945286
	CSCF4860N6D*	AMEH960805CXA*	56,500	39,500	13.50	11.00	1,555	6945287
	CSCF4860N6D*	AMEH961005DXA*	56,500	39,500	14.00	11.50	1,470	6945288
	CSCF4860N6D*+EEP		56,500	39,500	13.50	11.00	1,545	6836572
	CSCF4860N6D*+EEP+TXV		57,000	40,000	14.00	11.50	1,545	6762911
	CSCF4860N6D*+MBVC2000**-1A*		56,500	39,500	14.00	11.50	1,620	6836573
	CSCF4860N6D*+MBVC2000**-1A*+TXV		57,000	40,000	14.50	12.00	1,620	6762914
	CSCF4860N6D*+TXV	A*VC80805C*B*	57,000	40,000	14.50	12.00	1,560	6762843
	CSCF4860N6D*+TXV	A*VC81005C*B*	57,000	40,000	14.50	12.00	1,525	6762846
	CSCF4860N6D*+TXV	A*VC950905CXB*	57,000	40,000	14.00	11.50	1,580	6762849
	CSCF4860N6D*+TXV	A*VC950905DXB*	57,000	40,000	14.50	12.00	1,575	6762852
	CSCF4860N6D*+TXV	A*VC951155DXB*	57,000	40,000	14.50	12.00	1,550	6762855
	CSCF4860N6D*+TXV	A*VM960805CXB*	57,000	40,000	14.00	11.50	1,590	6762858
	CSCF4860N6D*+TXV	A*VM960805DXB*	57,000	40,000	14.50	12.00	1,575	6762861
	CSCF4860N6D*+TXV	A*VM961005DXB*	57,000	40,000	14.50	12.00	1,575	6762864
	CSCF4860N6D*+TXV	A*VM961155DXB*	57,000	40,000	14.50	12.00	1,550	6762867
	CSCF4860N6D*+TXV	G*E80805C*B*	57,000	40,000	14.50	12.00	1,525	6762872
	CSCF4860N6D*+TXV	G*E81005C*B*	57,000	40,000	14.50	12.00	1,600	6762875
	CSCF4860N6D*+TXV	G*VC80805C*B*	57,000	40,000	14.50	12.00	1,560	6762878
	CSCF4860N6D*+TXV	G*VC81005C*B*	57,000	40,000	14.50	12.00	1,525	6762881
	CSCF4860N6D*+TXV	G*VC950905CXB*	57,000	40,000	14.00	11.50	1,580	6762884
	CSCF4860N6D*+TXV	G*VC950905DXB*	57,000	40,000	14.50	12.00	1,575	6762887
	CSCF4860N6D*+TXV	G*VC951155DXB*	57,000	40,000	14.50	12.00	1,550	6762890
	CSCF4860N6D*+TXV	G*VM960805CXB*	57,000	40,000	14.00	11.50	1,590	6762893
	CSCF4860N6D*+TXV	G*VM960805DXB*	57,000	40,000	14.50	12.00	1,575	6762896
	CSCF4860N6D*+TXV	G*VM961005DXB*	57,000	40,000	14.50	12.00	1,575	6762899
	CSCF4860N6D*+TXV	G*VM961155DXB*	57,000	40,000	14.50	12.00	1,550	6762902
	CSCF4860N6D*+TXV	GME950805CXA*	57,000	40,000	14.00	11.50	1,555	6762905
	CSCF4860N6D*+TXV	GME951005DXA*	57,000	40,000	14.50	12.00	1,470	6762908
	CSCF4860N6D*+TXV	G*E80805D*A*	57,000	40,000	14.50	12.00	1,500	6762917
	CSCF4860N6D*+TXV	A*EH800805C*A*	57,000	40,000	14.50	12.00	1,525	6945289
	CSCF4860N6D*+TXV	A*EH800805D*A*	57,000	40,000	14.50	12.00	1,500	6945290
CSCF4860N6D*+TXV	A*EH801005C*A*	57,000	40,000	14.50	12.00	1,600	6945291	
CSCF4860N6D*+TXV	AMEH960805CXA*	57,000	40,000	14.00	11.50	1,555	6945292	
CSCF4860N6D*+TXV	AMEH961005DXA*	57,000	40,000	14.50	12.00	1,470	6945293	

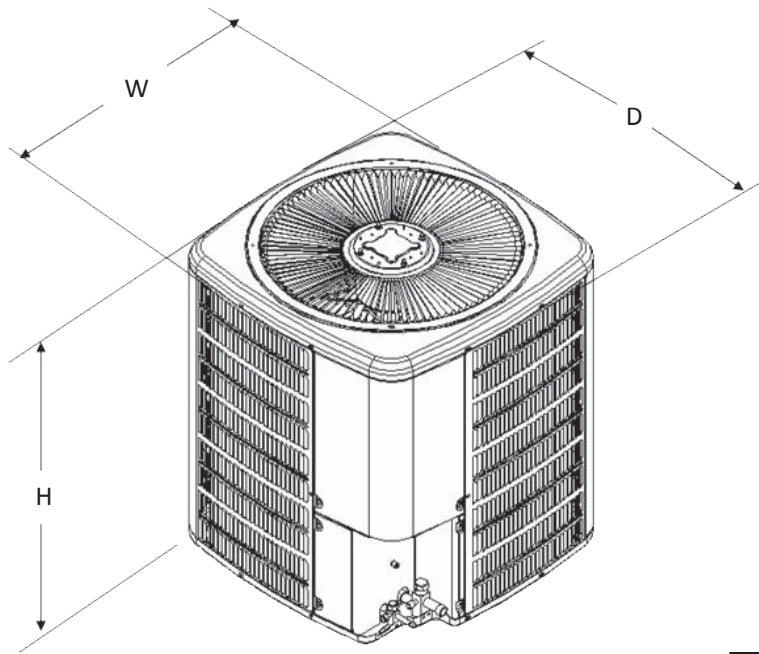
¹ BTU/h

² Seasonal Energy Efficiency Ratio; Certified per AHRI 210/240 @ 80°F/ 67°F/ 95°F

³ Energy Efficiency Ratio @ 80°F/ 67°F/ 95°F

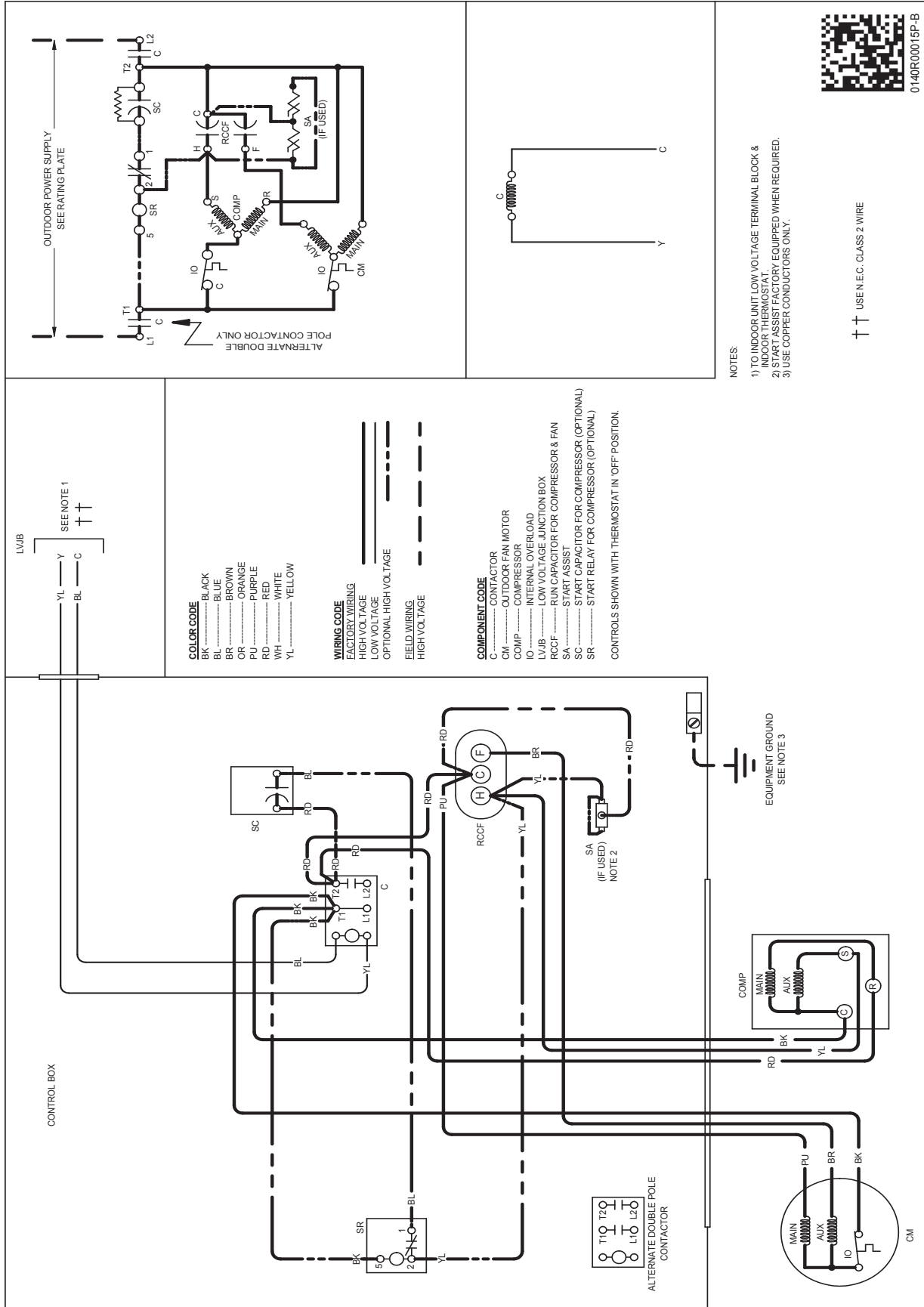
NOTES

- Always check the S&R plate for electrical data on the unit being installed.
- When matching the outdoor unit to the indoor unit, use the piston supplied with the outdoor unit or that specified on the piston kit chart supplied with the indoor unit.
- EEP - Order from Service Dept. Part No. B13707-38 or new Solid State Board B13707-35S. Part No. B13707-38 is not interchangeable with B13707-35S. The Amana-brand Gas Furnace contains the EEP cooling time delay



MODEL	DIMENSIONS		
	W"	D"	H"
GSX160181**	29	29	32¼
GSX160241**	29	29	32¼
GSX160301**	29	29	36¼
GSX160361**	29	29	38¼
GSX160421**	35½	35½	36¼
GSX160481**	35½	35½	36¼
GSX160601**	35½	35½	38¼
GSX160611**	35½	35½	38¼

GSX160181-48F* / 611F*



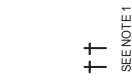
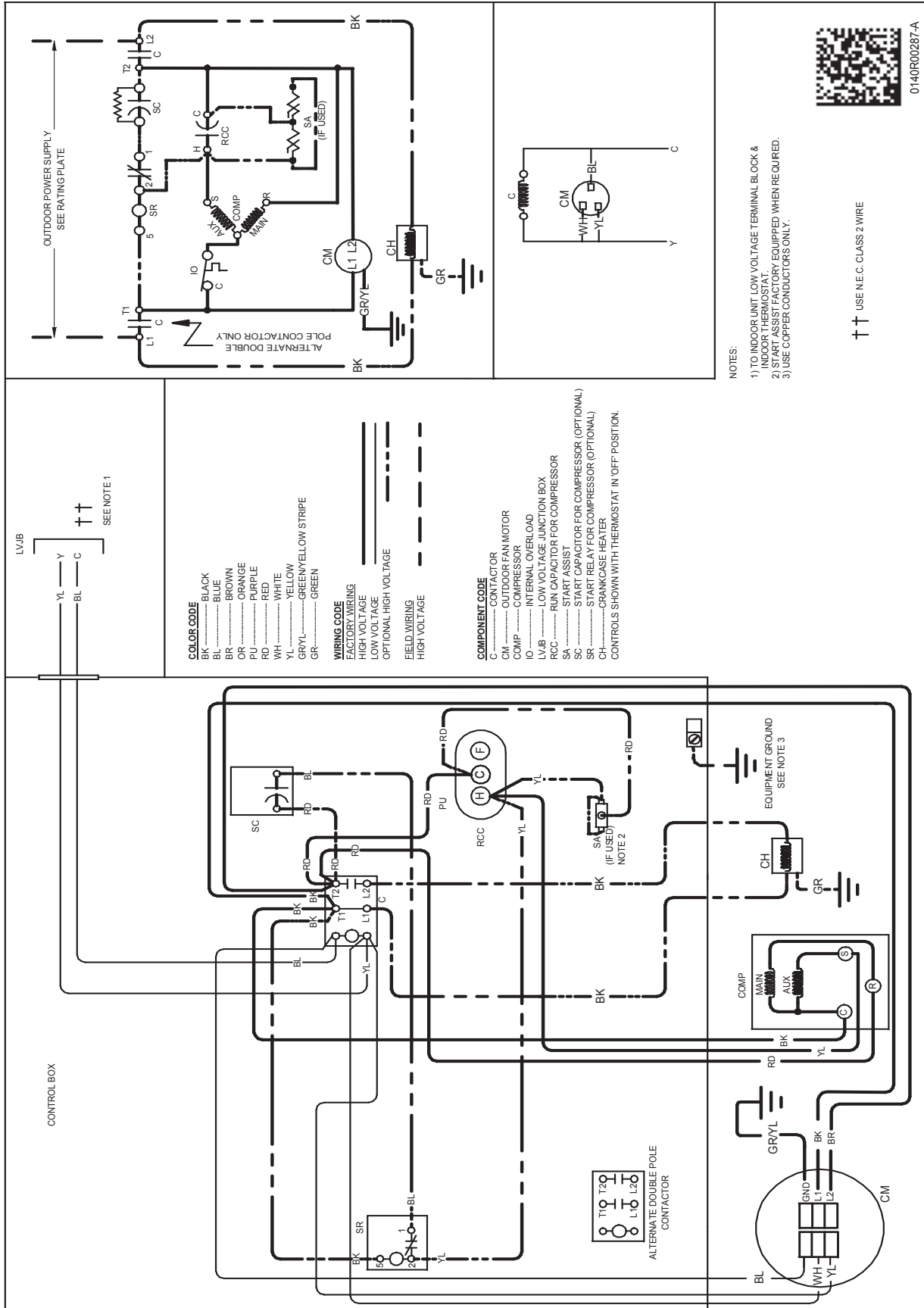
High Voltage: Disconnect all power before servicing or installing this unit. Multiple power sources may be present. Failure to do so may cause property damage, personal injury, or death.



WARNING

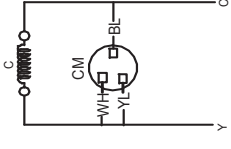
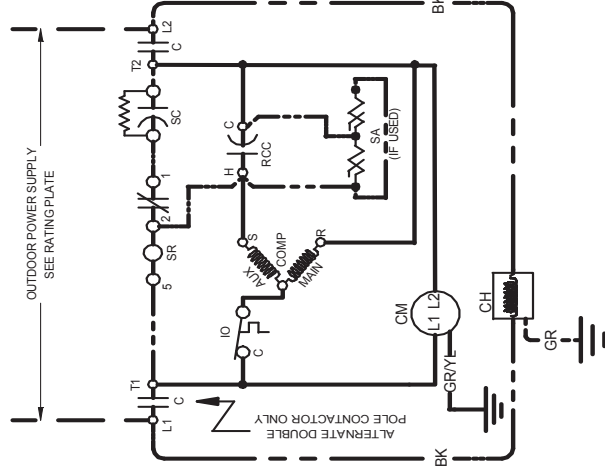
Wiring is subject to change. Always refer to the wiring diagram or the unit for the most up-to-date wiring.

GSX160601F*



- COLOR CODE**
 BK.....BLACK
 BL.....BLUE
 BR.....BROWN
 PU.....ORANGE
 RD.....PURPLE
 WH.....RED
 YL.....WHITE
 GR/YL.....YELLOW
 GR.....GREEN
- WIRING CODE**
 F.....FACTORY WIRING
 H.....HIGH VOLTAGE
 L.....LOW VOLTAGE
 O.....OPTIONAL HIGH VOLTAGE
 F.....FIELD WIRING
 H.....HIGH VOLTAGE

- COMPONENT CODE**
 C.....CONTACTOR
 CM.....OUTDOOR FAN MOTOR
 COMP.....COMPRESSOR
 IO.....INTERNAL OVERLOAD
 LVJB.....LOW VOLTAGE JUNCTION BOX
 RCC.....RUN CAPACITOR FOR COMPRESSOR
 SA.....START ASSIST
 SR.....START RELAY FOR COMPRESSOR (OPTIONAL)
 CH.....CRANKCASE HEATER
 CONTROLS SHOWN WITH THERMOSTAT IN OFF POSITION.



NOTES:
 1) TO INDOOR UNIT LOW VOLTAGE TERMINAL BLOCK & INDOOR THERMOSTAT.
 2) START ASSIST FACTORY EQUIPPED WHEN REQUIRED.
 3) USE COPPER CONDUCTORS ONLY.

†† USE N.E.C. CLASS 2 WIRE

0140R00287-A

WARNING
 High Voltage: Disconnect all power before servicing or installing this unit. Multiple power sources may be present. Failure to do so may cause property damage, personal injury, or death.

Wiring is subject to change. Always refer to the wiring diagram or the unit for the most up-to-date wiring.

ACCESSORIES

MODEL	DESCRIPTION	GSX16 018F*	GSX16 024F*	GSX16 030F*	GSX16 036F*	GSX16 042F*	GSX16 048F*	GSX16 060F*	GSX16 061F*
ABK-20	Anchor Bracket Kit ^		X	X	X	X	X	X	X
ABK-21	Anchor Bracket Kit ^	X							
ASC-01	Anti-Short Cycle Kit	X	X	X	X	X	X	X	X
CSR-U-1	Hard-start Kit	X	X	X	X	X	X	X	X
FSK01A ¹	Freeze Protection Kit	X	X	X	X	X	X	X	X
LSK02A ²	Liquid Line Solenoid Kit	X	X	X	X	X	X	X	X
TXV-30 ²	TXV Kit	X	X	X					
TXV-42 ²	TXV Kit				X	X			
TXV-48 ²	TXV Kit						X		
TXV-60 ²	TXV Kit							X	X

^ Contains 20 brackets; four brackets needed to anchor unit to pad

¹ Installed on indoor coil

² Field-installed, non-bleed, expansion valve kit.